

**Air Conditioning Compressor – Remove and Install (34 626 0)**

2,0 DOHC 16V only

**Workshop Equipment**

Servicing unit	
----------------	--

**Materials**

O-rings (green)	
-----------------	--

**Remove**

**NOTE:** “Safety Regulations” and “General Requirements and Safety Precautions for Servicing and Repairs” at the beginning of this section.

**1. Standard preparatory measures:**

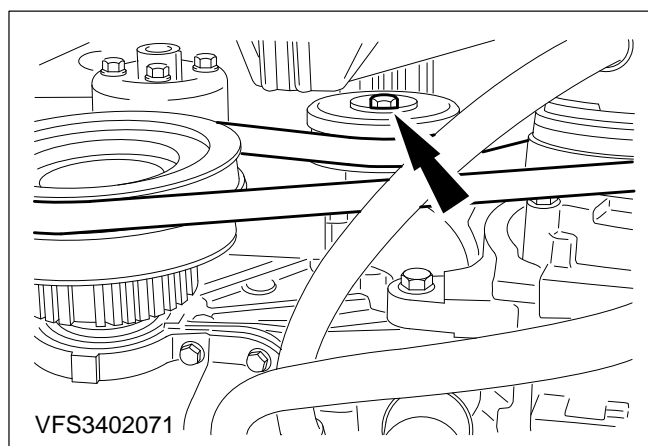
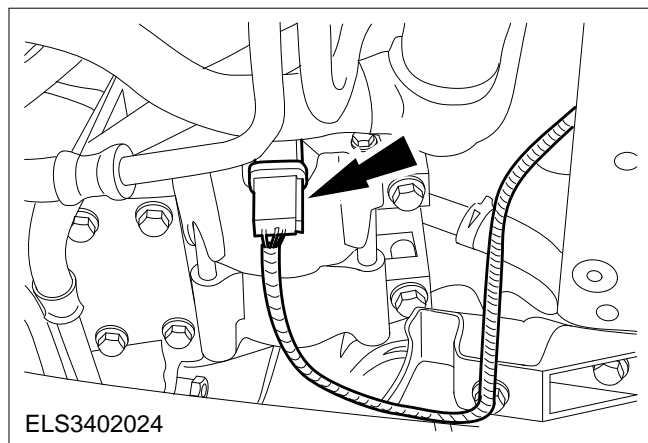
- Make a note of the radio keycode.
- Make a note of the preset radio stations.
- Lay protective covers on the fenders.

**⚠ CAUTION:** Disconnect the battery negative lead.

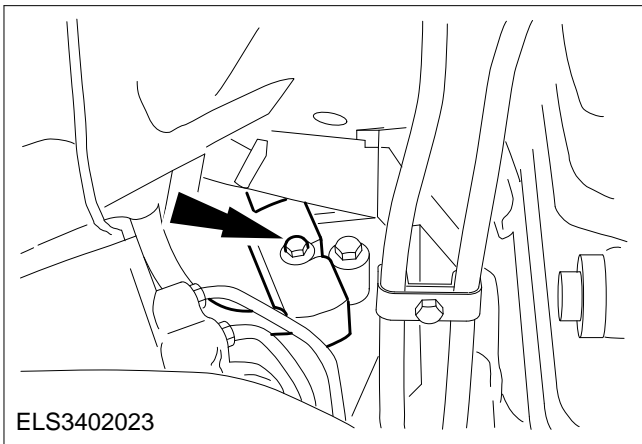
**2. Drain the air conditioning as described in Op. no. 34 620 0.**

**3. Pull off the compressor clutch connector.**

**4. Raise the vehicle.**

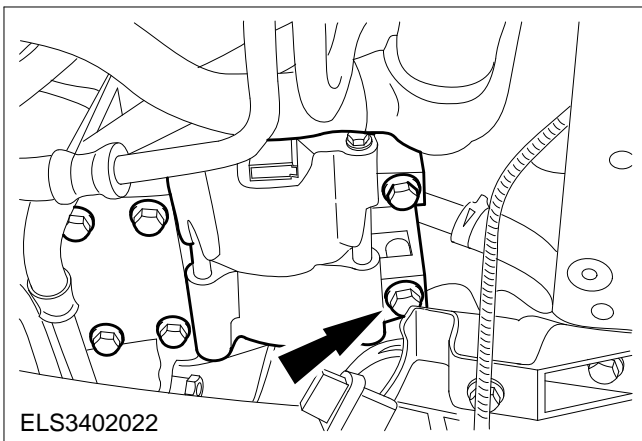


**5. Release the tensioning pulley and remove the drive belt.**



## 6. Detach the lines from the compressor.

Remove the O-rings.



## 7. Detach the compressor.

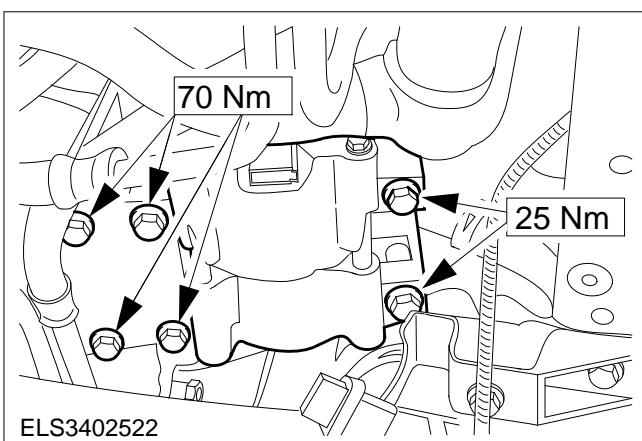
## Install

**NOTE:** Renew all O-rings when installing the components.

**NOTE:** Torques

## 8. Refit the components in the reverse order.

## 9. Install the air conditioning compressor.



**10. Standard finishing operations:**

- Connect the battery negative lead.
- Remove the protective covers.
- Enter the radio keycode.
- Reprogramme the preset radio stations.
- Reset the clock.
- Road test the vehicle to collect data for the PCM.

**11. Evacuate and fill the air conditioning as described in Op. no. 34 620 0.**