

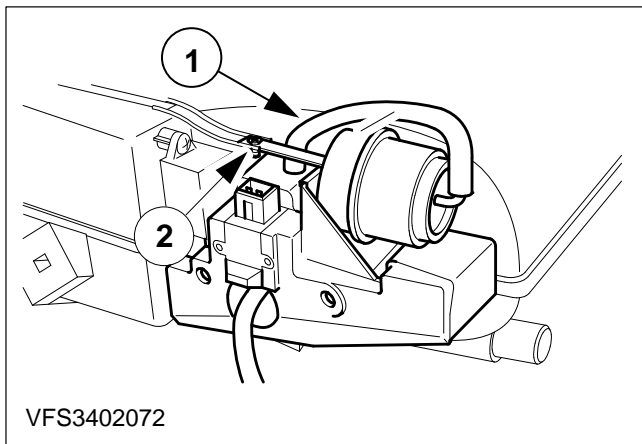
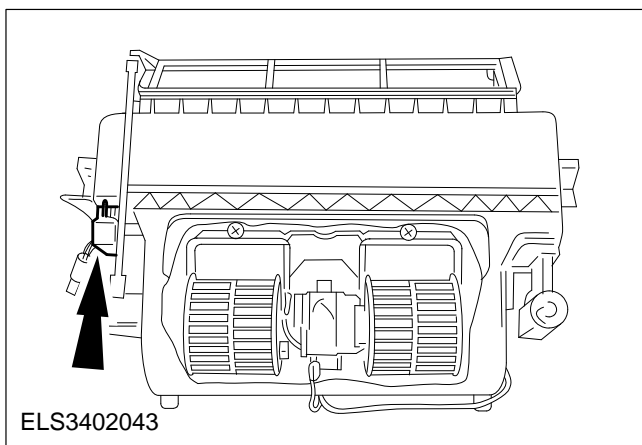
**Switch – De-ice – Remove and Install (33 560 0)****Remove****1. Standard preparatory measures:**

- Make a note of the radio keycode.
- Make a note of the preset radio stations.
- Lay protective covers on the fenders.

**⚠ CAUTION:** Disconnect the battery negative lead.

**2. Detach the vacuum accumulator.**

- 1 Disconnect the hose.
- 2 Remove the screw.

**3. Disconnect the de-ice switch multiplug.****4. Detach the de-ice switch from the evaporator housing (two screws).**

## Install

**5. Refit the components in the reverse order.**

**6. Standard finishing operations:**

- Connect the battery negative lead.
- Remove the protective covers.
- Enter the radio keycode.
- Reprogramme the preset radio stations.
- Reset the clock.
- Road test the vehicle to collect data for the PCM.