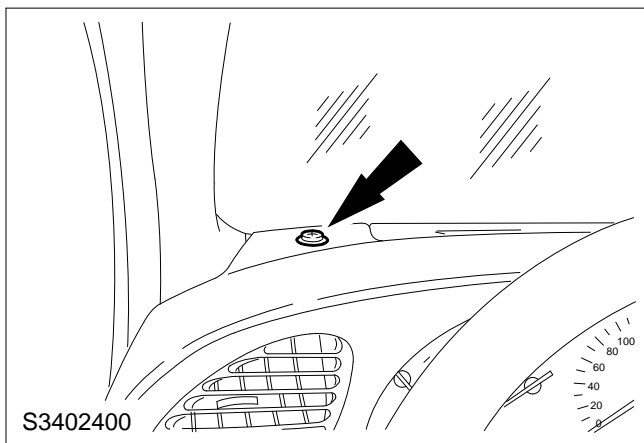


## Sensor – Sun Load – Remove and Install (34 665 0)



### Remove

1. **Pull the sun load sensor out through the opening in the fascia/crash pad.**
2. **Disconnect the multiplug.**

### Install

3. **Refit the components in the reverse order.**