

## Description and Operation

Clean the automatic transmission to prevent dirt entering when it is reassembled.

Lay the removed parts out clearly to make it easier to assess damage and reassemble components.

If deposits (clutch swarf or abraded metal particles) are found in the automatic transmission fluid during repairs, the transmission should be completely dismantled and cleaned.

Also clean the transmission fluid pipes, transmission fluid cooler and torque converter carefully or renew them if they are extremely soiled.

**NOTE:** If abraded metal particles are found, renew the valve body assembly, transmission fluid pipes, transmission fluid cooler and the torque converter.

The brake bands and friction plates must not be allowed to come into contact with cleaning agent.

Only use paraffin to clean them.

Submerge the new clutch plates in automatic transmission fluid for approx. 30 minutes prior to installation.

When checking the end float of clutches, always compress them before taking the measurement to squeeze out the transmission fluid from between the plates.

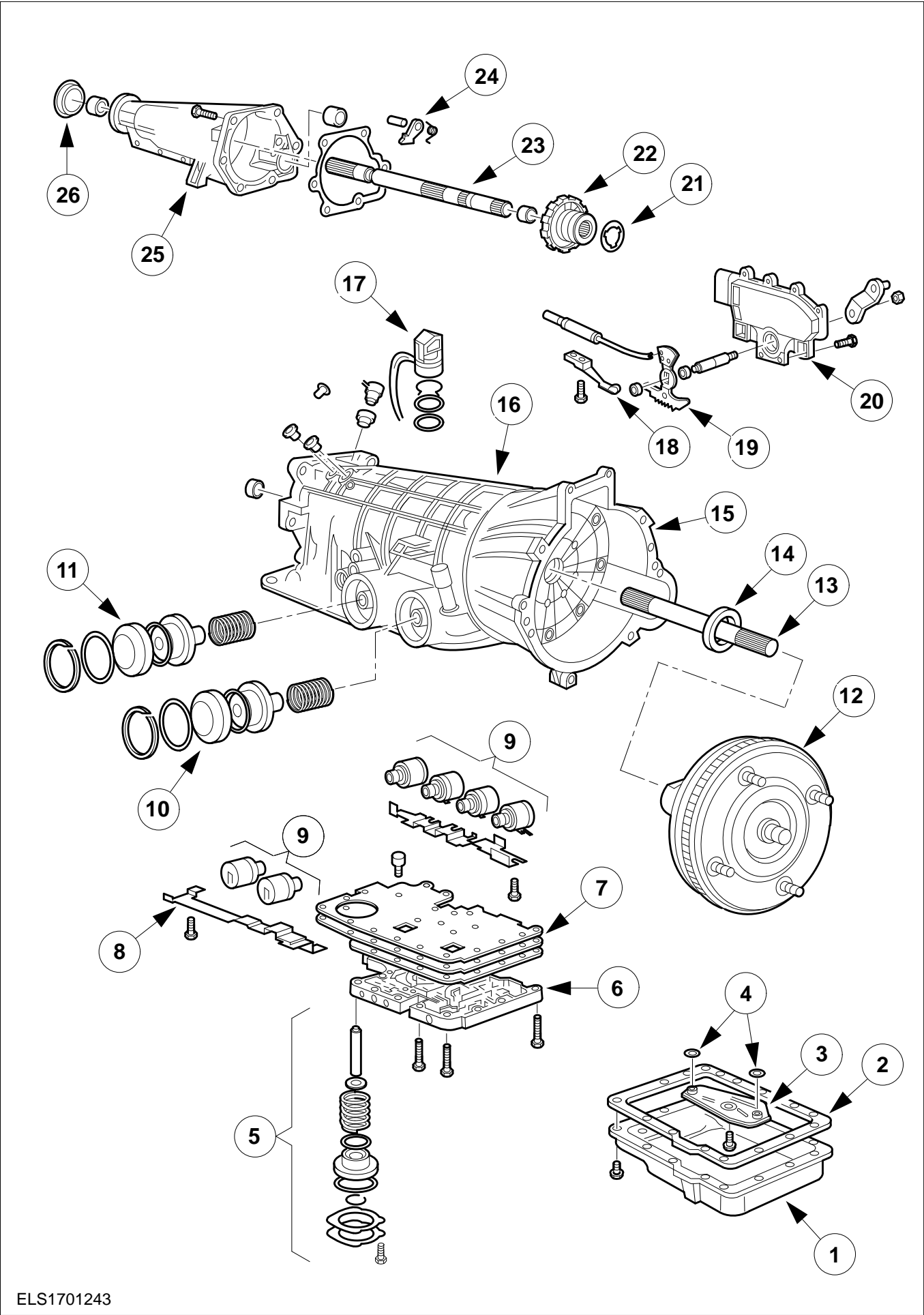
Lubricate all sliding parts with automatic transmission fluid prior to installation.

When installing thrust washers and needle bearings, locate them in position using Vaseline.

The thrust washers and needle bearings can be identified by their parent numbers. These parent numbers refer to the Parts Microfiche.

The abbreviation O/D used below stands for "Overdrive".

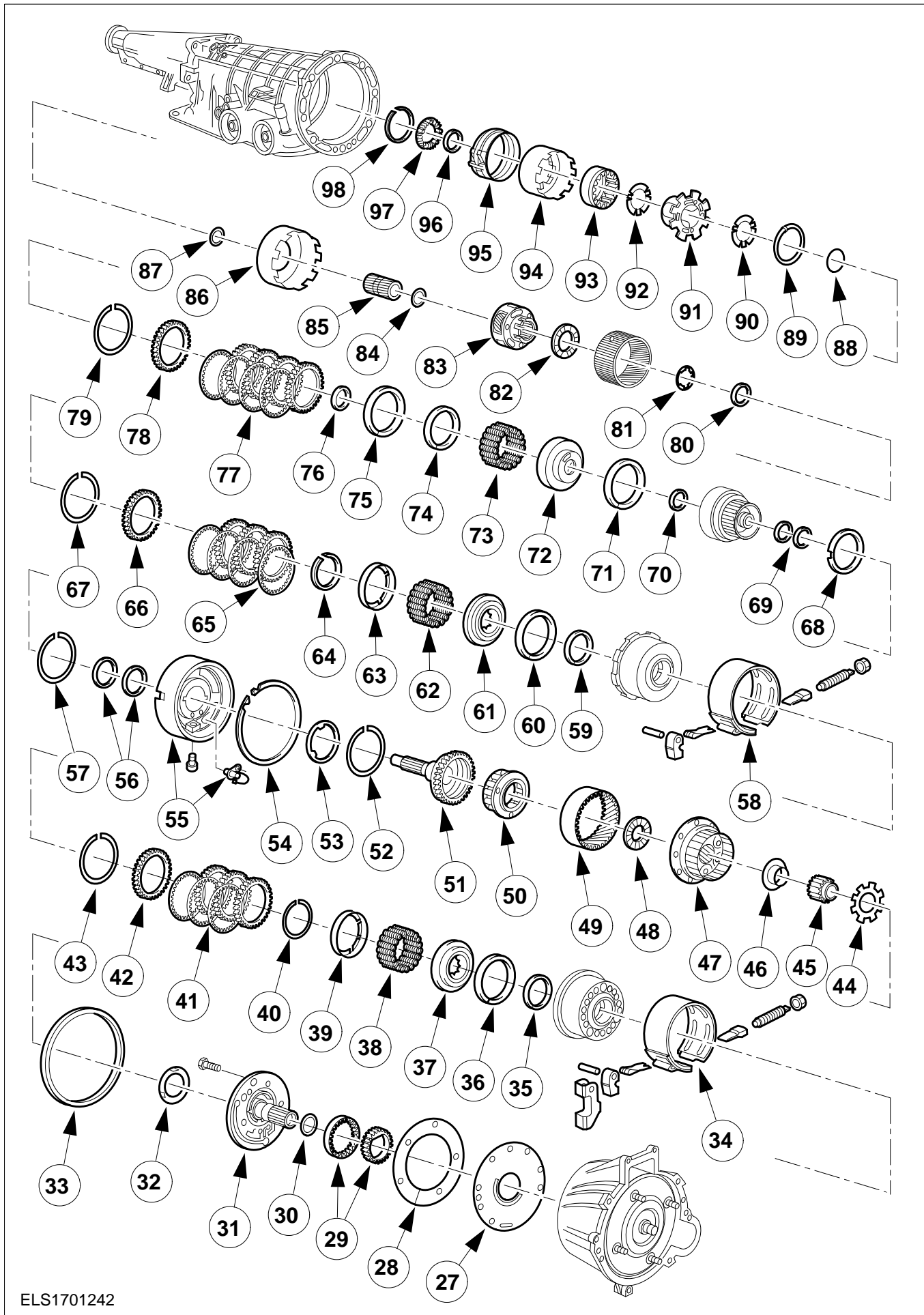
Some of the steps below are shown on a cross-section of the transmission housing for the sake of clarity.



ELS1701243

Item	Description
1	Sump
2	Sump gasket
3	Transmission fluid filter
4	Transmission fluid filter seals
5	Rear servo piston
6	Valve body assembly
7	Intermediate plate with gaskets
8	Retaining plate
9	Solenoids
10	Front servo piston
11	Centre servo piston
12	Torque converter
13	Input shaft

14	Transmission fluid pump housing seal
15	Torque converter housing
16	Transmission housing
17	Transmission connector
18	Detent spring
19	Detent plate
20	Transmission range sensor (TR sensor)
21	Thrust washer (-7B368-)
22	Governor hub
23	Output shaft
24	Parking pawl
25	Transmission extension housing
26	Transmission extension housing seal



ELS1701242

Item	Description
27	Intermediate plate gasket
28	Intermediate plate
29	Transmission fluid pump gears
30	Seal – transmission fluid pump shaft
31	Transmission fluid pump
32	Thrust washer (–7D014–)
33	Square section ring
34	O/D brake band
35	Hydraulic piston inner seal
36	Hydraulic piston outer seal
37	Hydraulic piston
38	Compression springs
39	Spring retainer
40	Circlip
41	Plate pack
42	Support plate
43	Support plate circlip
44	Drive plate
45	Sun wheel
46	Needle bearing (–7D234–)
47	O/D planet carrier with sensor plate
48	Axial needle bearing (–7L495–)
49	Annulus
50	O/D one-way clutch
51	Centre shaft
52	Centre shaft circlip
53	Needle bearing (–7D014–)
54	Centre carrier circlip
55	Centre carrier with TSS sensor
56	Centre carrier seals
57	Needle bearing (–7D014–)
58	Centre brake band
59	Hydraulic piston inner seal
60	Hydraulic piston outer seal
61	Hydraulic piston
62	Compression springs
63	Spring retainer
64	Circlip
65	Plate pack
66	Support plate
67	Support plate circlip
68	Thrust washer (–7D428–)
69	Piston rings
70	Hydraulic piston inner seal

71	Hydraulic piston outer seal
72	Hydraulic piston
73	Compression spring
74	Spring retainer
75	Hydraulic piston damping ring
76	Circlip
77	Plate pack
78	Support plate
79	Support plate circlip
80	Needle bearing (–7D234–)
81	Bronze bush (–7D045–)
82	Needle bearing (–7F374–)
83	Planet carrier with needle bearing (–7D234–)
84	Inner circlip
85	Sun wheel
86	Input bell housing
87	Outer circlip
88	Small circlip – output shaft
89	Large circlip – output shaft
90	Thrust washer (–7D423–)
91	Rear planet carrier
92	Thrust washer (–7D423–)
93	Annulus
94	Rear brake drum
95	Rear brake band
96	Thrust washer (–7D422–)
97	Rear one-way clutch
98	Circlip