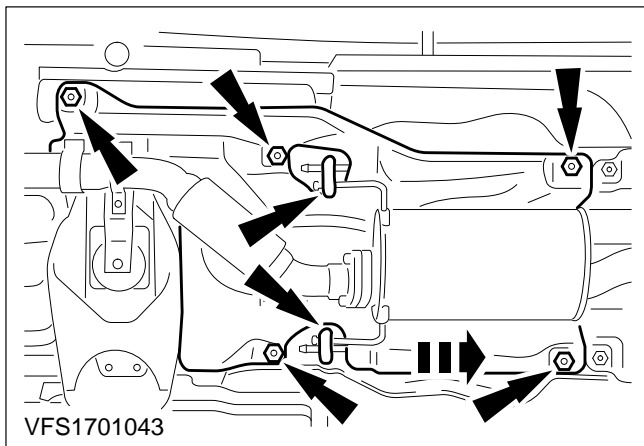
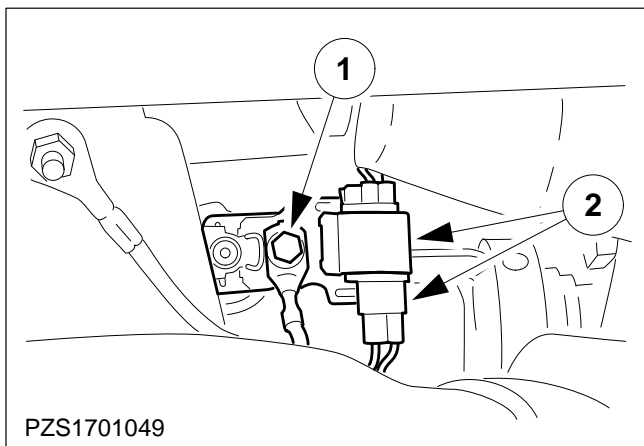


Drive Pinion – Speedometer – Remove and Install (17 382 0)



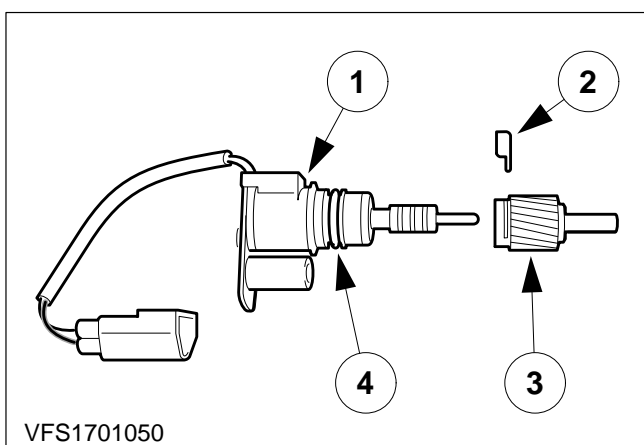
Remove

1. **Raise the vehicle.**
2. **Unhook the loops for the rear exhaust pipe.**
3. **Detach the front heat shield and slide it backwards.**



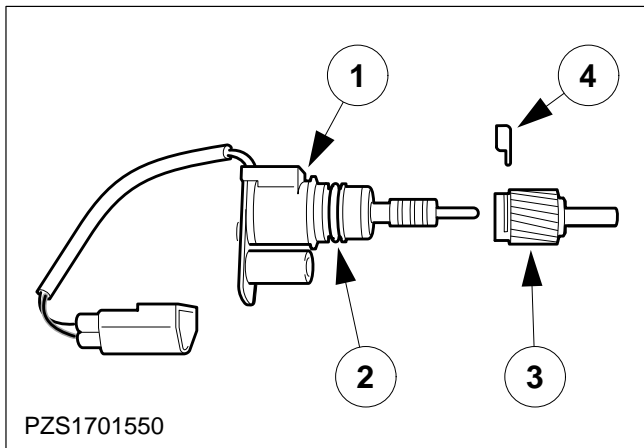
4. **Remove the vehicle speed sensor (VSS).**

- 1 Bolt of VSS
 - Pull out the VSS.
- 2 Pull the VSS plug out from the retaining plate and disconnect it.



5. **Remove the speedometer drive pinion.**

- 1 VSS
- 2 Remove the retainer.
- 3 Pull off the drive pinion.
- 4 Take off the O-ring.

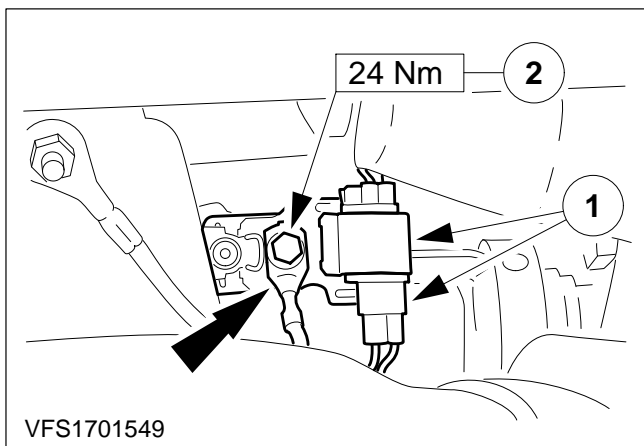


Install

NOTE: When renewing the drive pinion, make sure the new pinion has the correct number of teeth (see Parts Microfiche).

6. Install the speedometer drive pinion.

- 1 VSS
- 2 Fit a new O-ring.
- 3 Push on the drive pinion.
- 4 Insert the retainer.

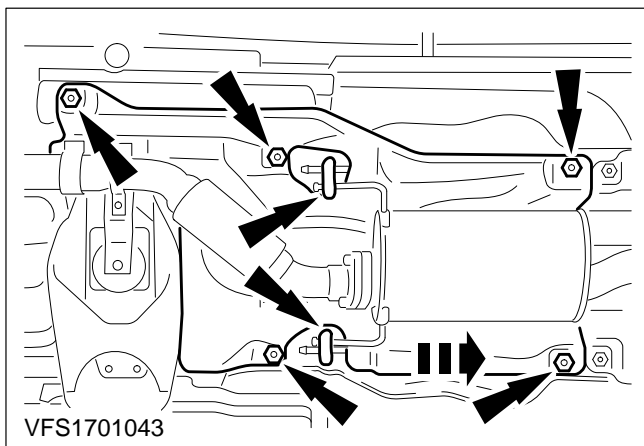


7. Fit the VSS.

- 1 Connect the VSS plug and clip it into the retaining plate.

NOTE: Ground lead.

- 2 Fit the VSS and tighten the bolt.



8. Attach the front heat shield and hook the loops for the rear exhaust pipe in place.

9. Lower the vehicle.