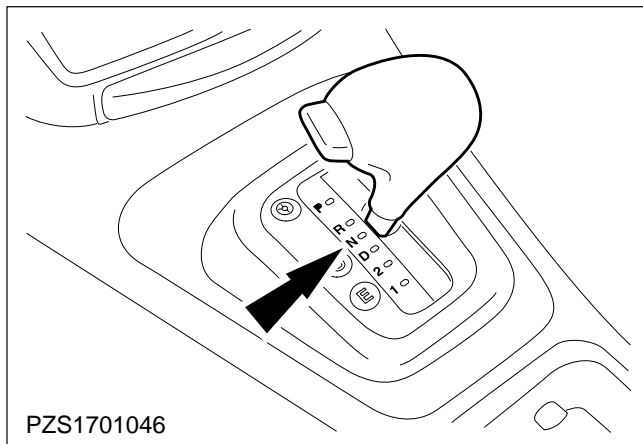
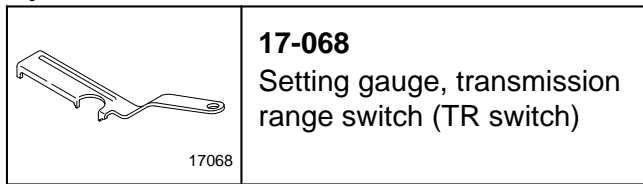


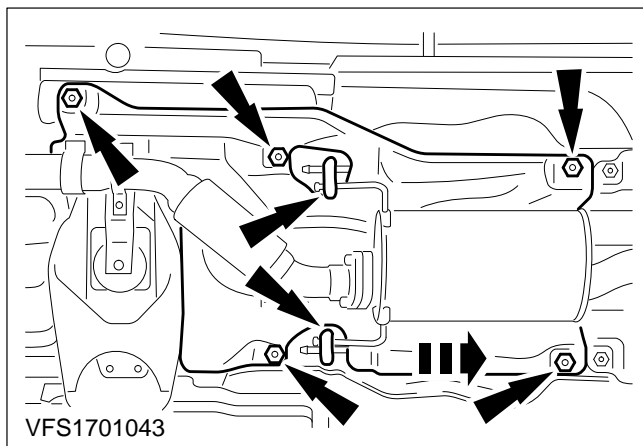
Transmission Range Sensor – Remove and Install (17 705 0)

Special Tools

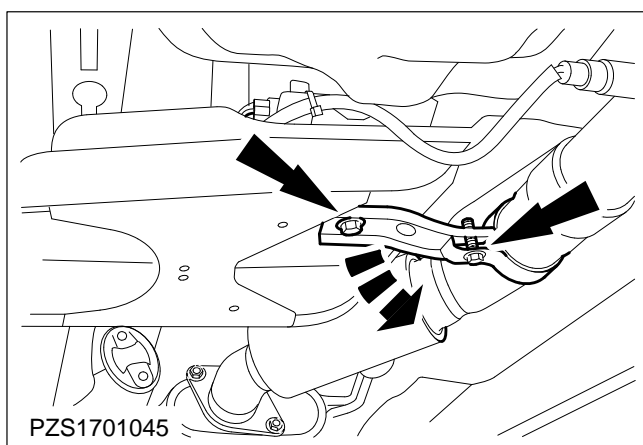


Remove

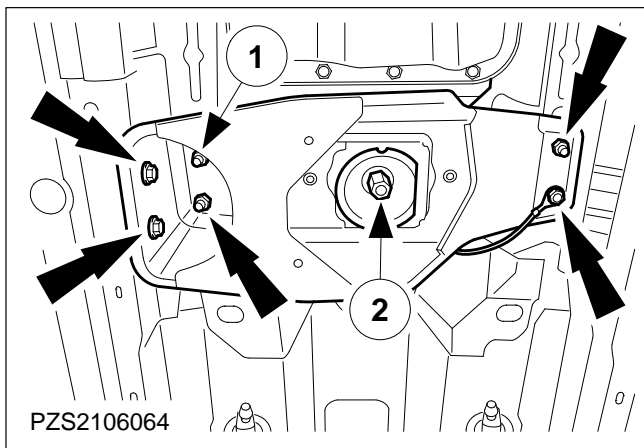
1. Move the selector lever to position "N".



2. Raise the vehicle.
3. Unhook the loops for the rear exhaust pipe.
4. Detach the front heat shield and slide it backwards.



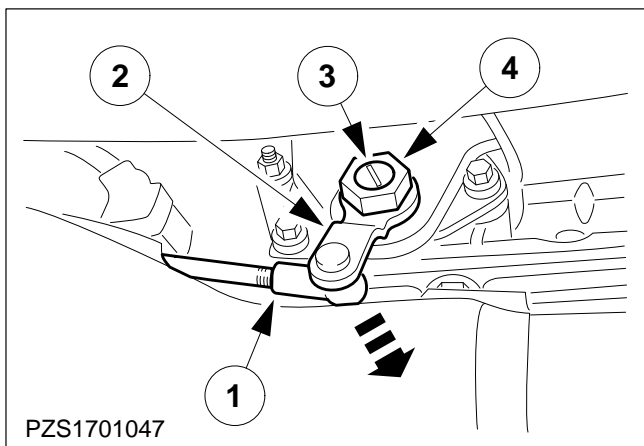
5. Detach the bracket for the front exhaust pipe from the transmission crossmember and swivel it downwards.



NOTE: Support the automatic transmission with a transmission jack.

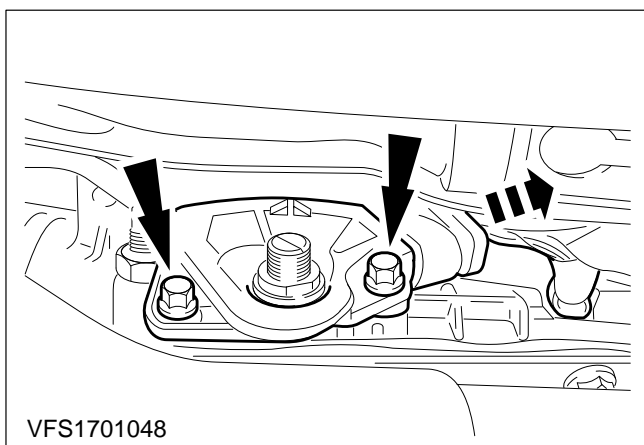
6. Detach the transmission crossmember.

- 1 Detach it from the body.
 - 2 Detach it from the automatic transmission.
- Lower the automatic transmission and remove the transmission jack.

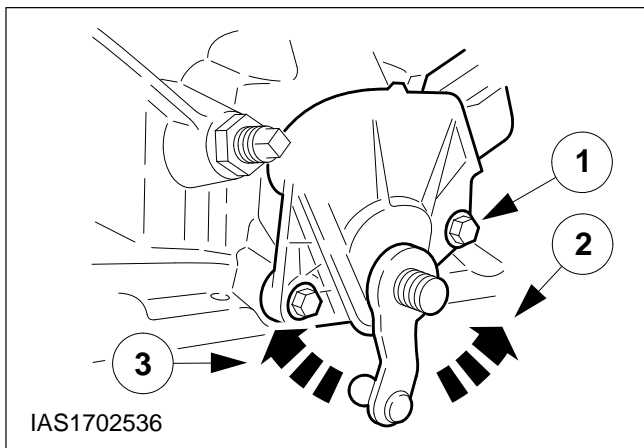


7. Detach the selector lever.

- 1 Unclip the link rod from the selector lever.
- 2 Selector lever
- 3 Nut
- 4 Selector shaft



8. Disconnect the plug of the TR switch and remove the TR switch.



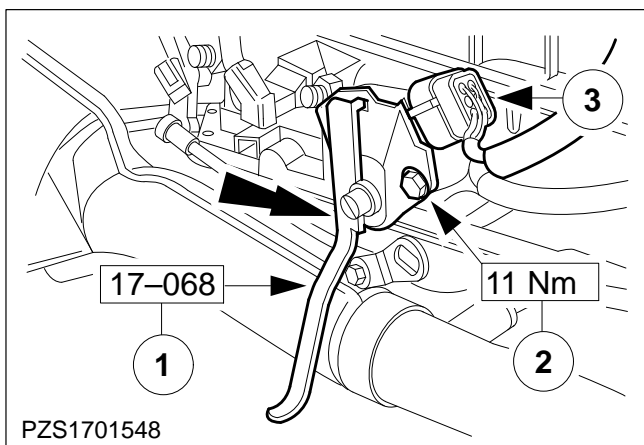
Install

NOTE: The guide of the TR switch must engage with the groove of the selector shaft.

9. Install and adjust the TR switch.

NOTE: Do not tighten the bolts.

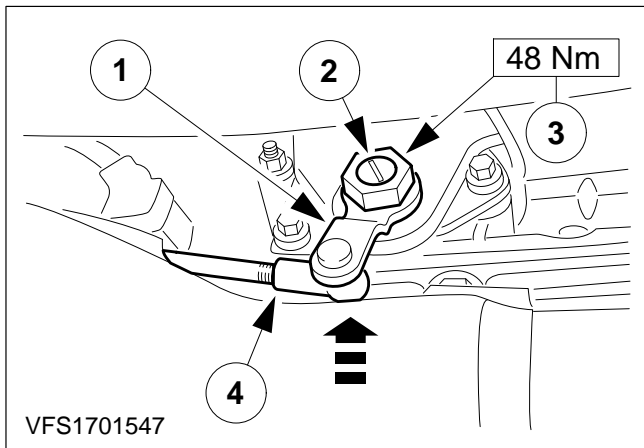
- 1 Attach the TR switch.
 - 2 Slide on the selector lever and turn the selector shaft anti-clockwise as far as the stop.
 - 3 Turn the selector lever through three notch positions in the clockwise direction (neutral position).
- Remove the selector lever.



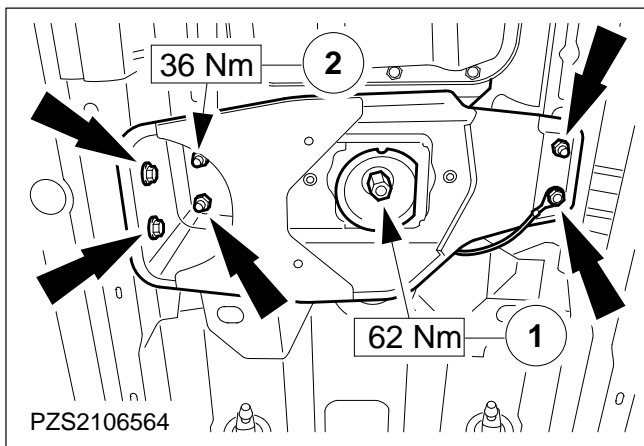
10. Install and adjust the TR switch (cont.) (automatic transmission shown removed).

NOTE: The position of the groove in the selector shaft is not important for carrying out the adjustment.

- 1 Locate the special tool in position and turn the TR switch until the special tool engages in the grooves of the TR switch.
- 2 Tight the bolts of the TR switch and remove the special tool.
- 3 Connect the plug of the TR switch.

**11. Attach the selector lever.**

- 1 Selector lever
- 2 Selector shaft
- 3 Nut
- 4 Clip the link rod to the selector lever.

**12. Attach the transmission crossmember.**

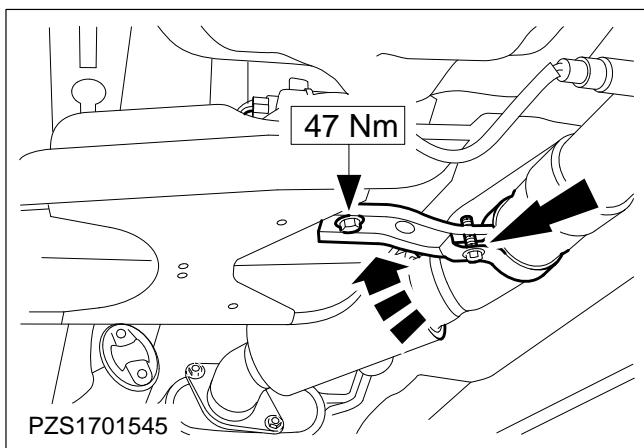
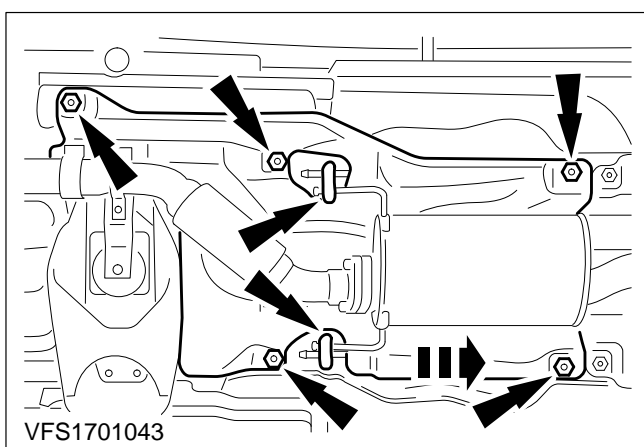
- Raise the transmission using a transmission jack.

- 1 Attach it to the automatic transmission.

NOTE: Attach the ground lead.

- 2 Attach it to the body.

- Remove the transmission jack.

**13. Swivel the bracket for the front exhaust pipe upwards and attach it to the transmission crossmember.****14. Attach the front heat shield and hook the loops for the rear exhaust pipe in place.****15. Lower the vehicle.**