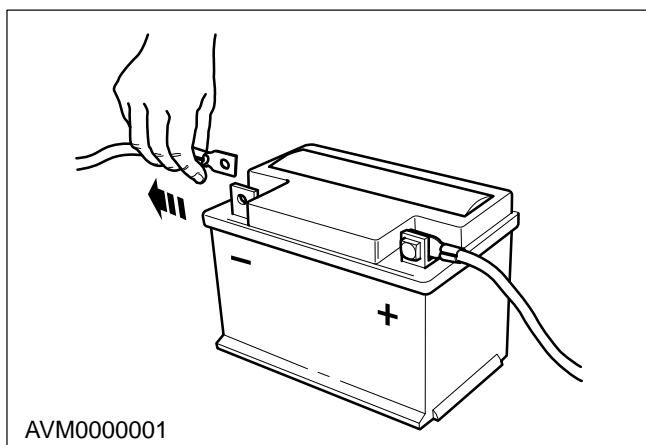
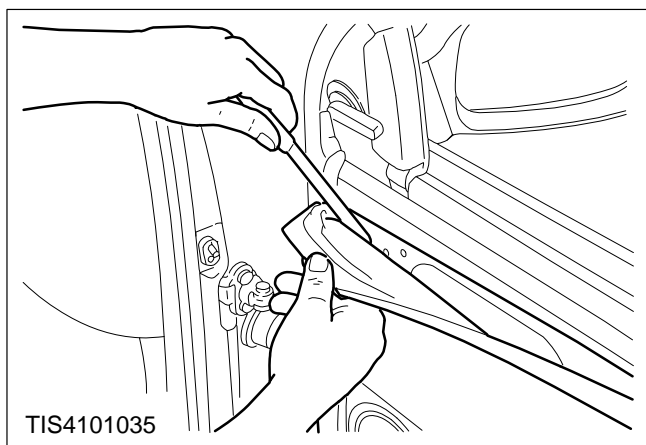


Handle – Door Remote Control – Remove and Install (41 334 0)



Remove

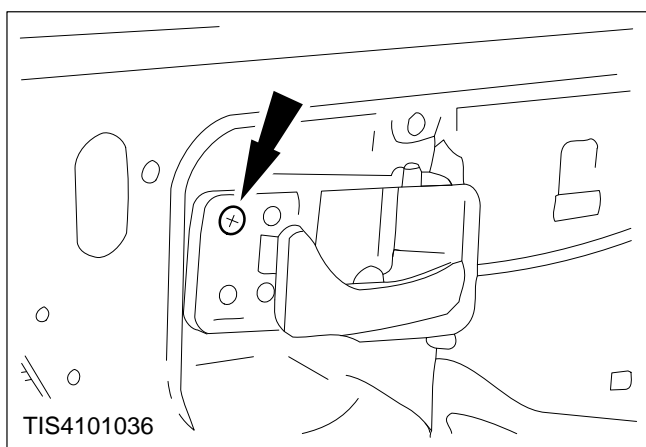
1. Disconnect the battery negative lead.
2. Remove the door trim panel (refer to Operation Number 43 705 0).



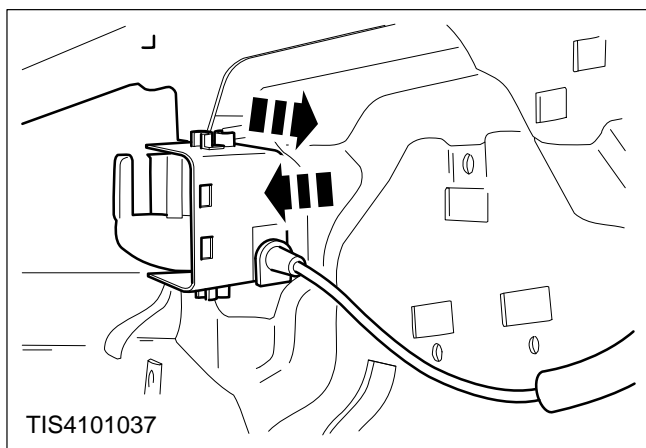
⚠ CAUTION: Do not touch adhesive surfaces as re-bonding will be impaired.

3. **Locally peel back the door insulation material.**

Using a plastic knife, (disposable cutlery) cut through the Butyl strip to enable the foam insulator to be peeled back for access. DO NOT attempt to peel the insulation from the door without cutting the butyl.

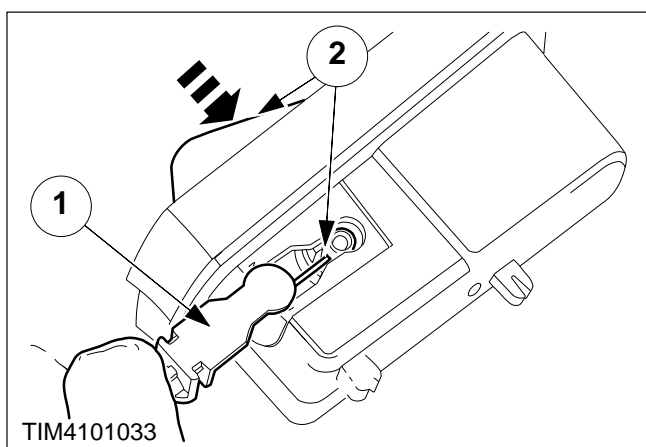


4. **Remove the remote control handle retaining screw.**



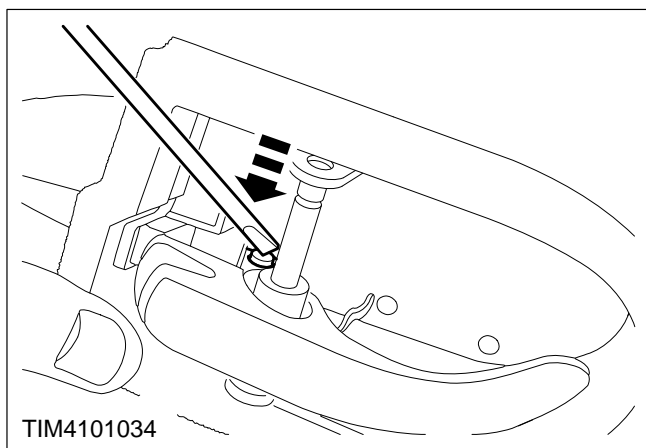
5. Detach the handle from the door.

Slide back off the locators, then ease out from the door panel.



6. Disconnect the door lock actuating cable.

- 1 Displace the plastic outer cable end and blanking piece from the handle housing.
- 2 Apply light inward pressure to the control lever to align the inner cable with the release slot and push out.



Install

7. Refit the components in reverse order.