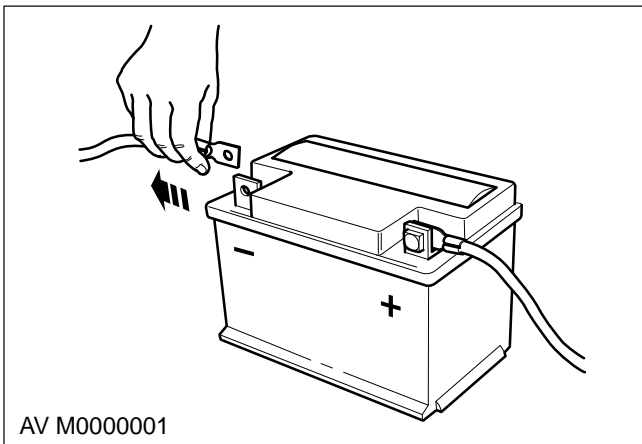


Brake Fluid Reservoir – Remove and Install (12 341 0)

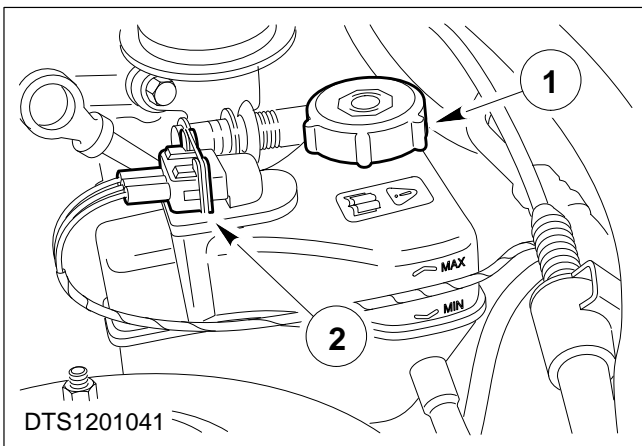


Remove

⚠ WARNING: Apply the foot brake at least 20 times to de-pressurise the system.

⚠ CAUTION: If brake fluid is spilled on the paintwork, the affected area must be immediately washed down with cold water.

1. Disconnect the battery earth lead.

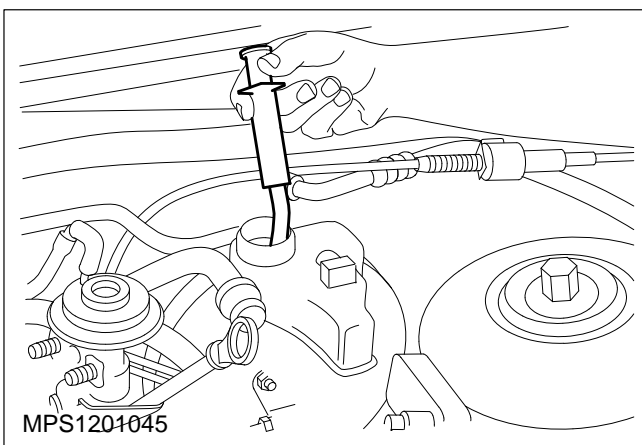


2. Remove the filler cap and disconnect the warning indicator multiplug.

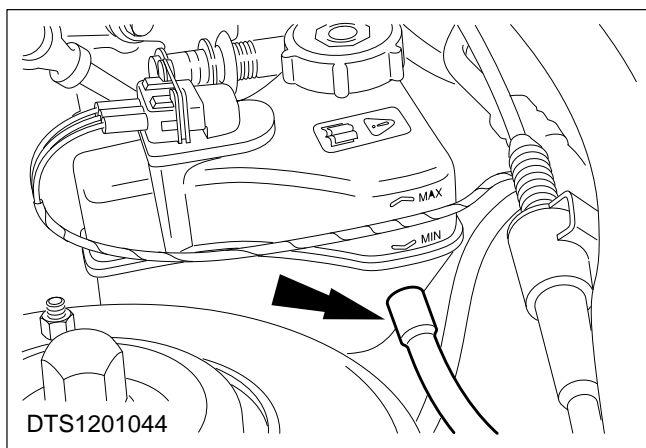
NOTE: Ensure the filler cap does not become contaminated.

1 Remove the filler cap.

2 Disconnect the warning indicator multiplug.

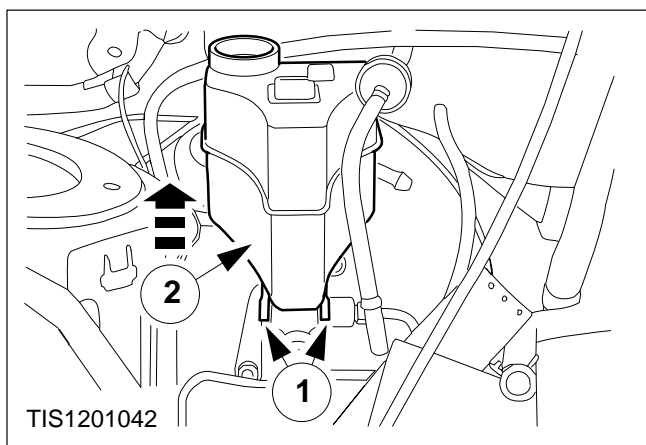


3. Using a suitable syringe remove as much fluid as possible from the reservoir.



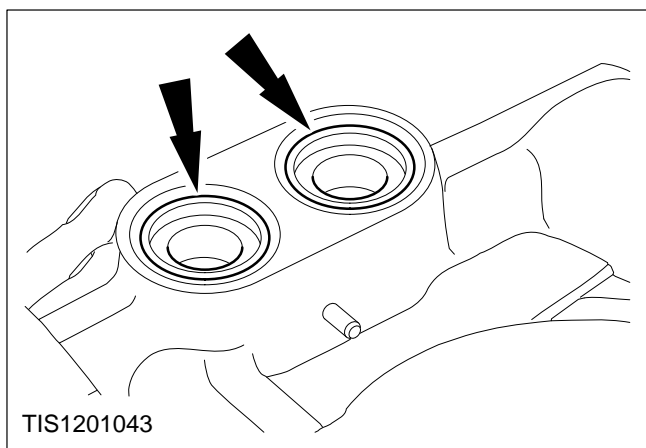
4. Detach the clutch feed hose.

Allow the fluid to drain into a suitable container.



5. Remove the reservoir.

- 1 Release the retaining clips.
- 2 Carefully remove the reservoir.



6. Remove the reservoir seals.

Install

7. Lubricate the reservoir seals with new brake fluid and refit the seals.
8. Refit the reservoir.
9. Refit the filler cap, reconnect the warning indicator multiplug and refit the clutch feed hose.
10. Reconnect the battery earth lead.
11. Bleed the braking system as described in Operation No. 12 141 0.