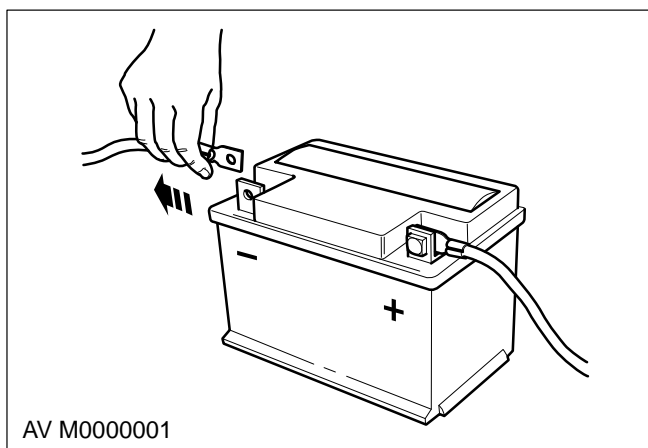


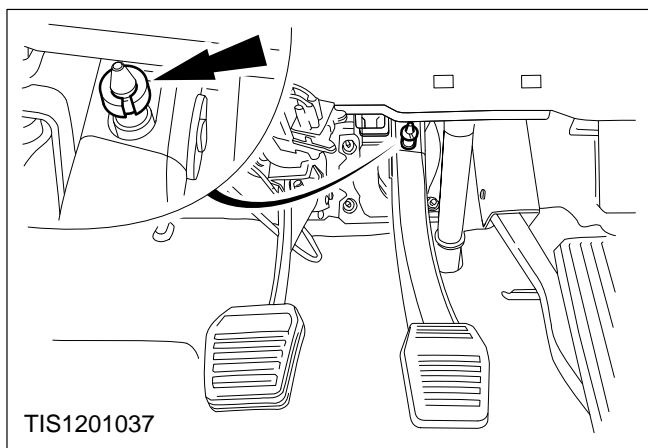
Brake Pedal – Remove and Install (12 333 0)



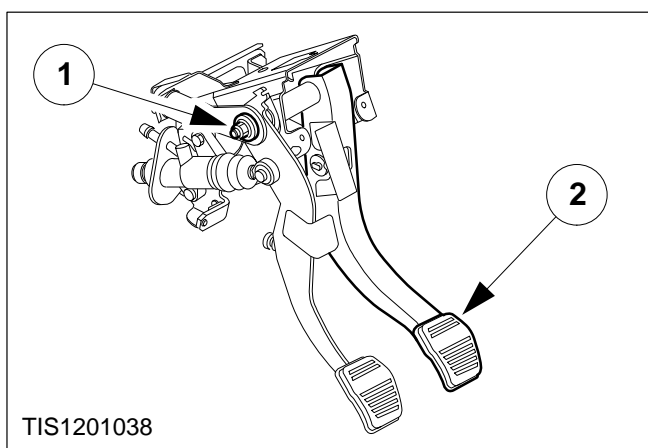
Remove

⚠ WARNING: Apply the foot brake at least 20 times to de-pressurise the system.

1. **Disconnect the battery earth lead.**
2. **Remove the underdash cover panel as described in Operation Nos. 43 680 0 and 43 681 0.**

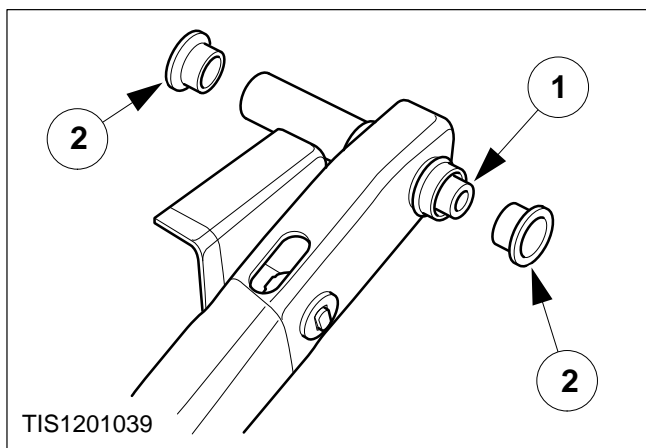


3. **Remove the servo push rod clip.**



4. **Remove the brake pedal.**

- 1 Remove the cross bolt and nut.
- 2 Remove the brake pedal.



5. Remove the pedal bushes.

- 1 Remove the inner spacer.
- 2 Remove the bushes

Install

6. Refit the pedal bushes and the inner spacer.

7. Refit the brake pedal.

- 1 Refit the brake pedal.
 - Ensure that the servo push rod locates into the brake pedal slot correctly.
- 2 Refit the cross bolt and nut.

8. Refit the servo push rod clip.

9. Refit the underdash cover panel as described in Operation Nos. 43 680 0 and 43 681 0.

10. Reconnect the battery earth lead.

