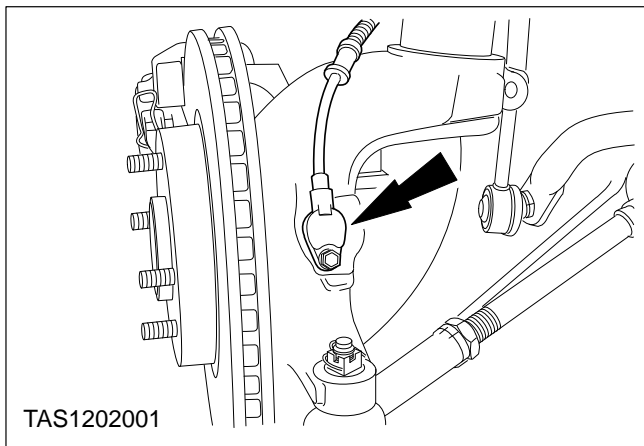


## Wheel Sensor – Front – Remove And Install (12 784 0)

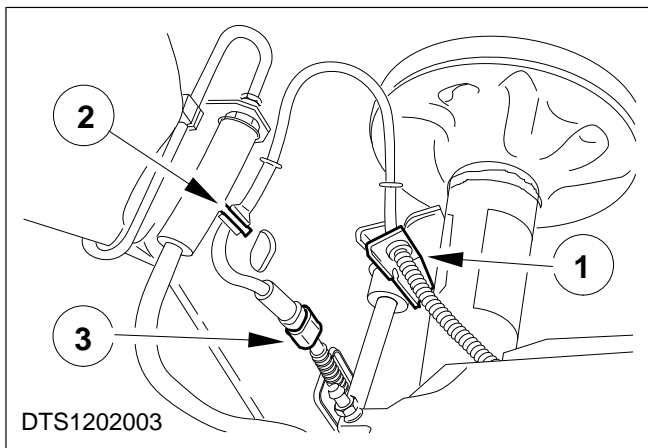
### Remove

1. **Disconnect the battery earth lead.**
2. **Slacken the wheel nuts, raise the vehicle and remove the front road wheel.**
3. **Remove the wheel sensor retaining bolt.**



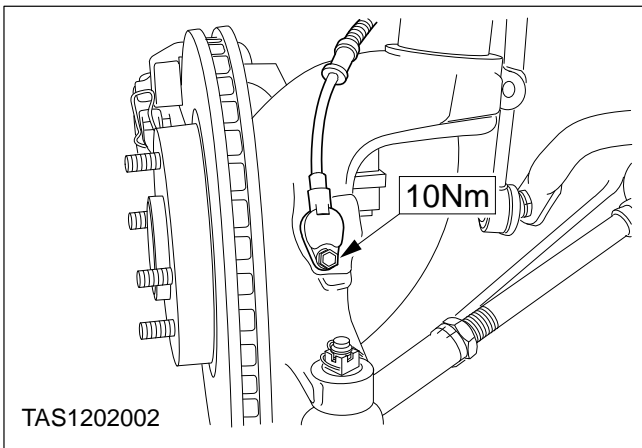
### 4. **Disconnect the wheel sensor.**

- 1 Disconnect the wheel sensor from the suspension unit.
- 2 Disconnect the wheel sensor from the body clip.
- 3 Disconnect the wheel sensor multiplug.

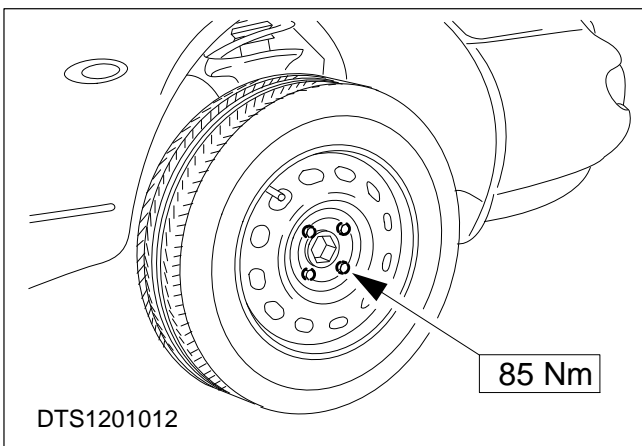


### Install

5. **Relocate the wheel sensor into the retaining clips.**
6. **Reconnect the wheel sensor multiplug.**



**7. Refit the wheel sensor retaining bolt.**



**8. Refit the road wheel and lower the vehicle.**

**9. Reconnect the battery earth lead.**