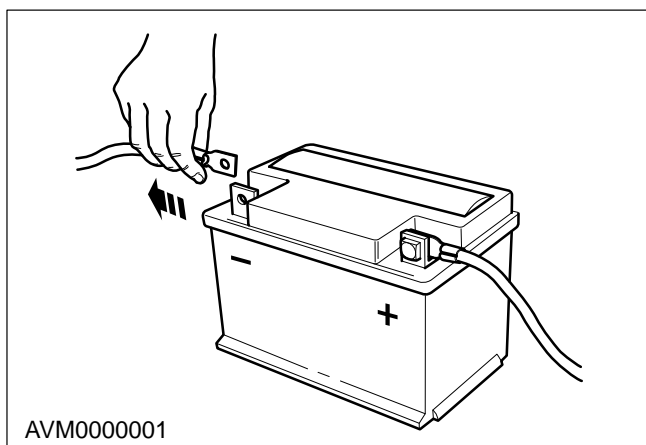
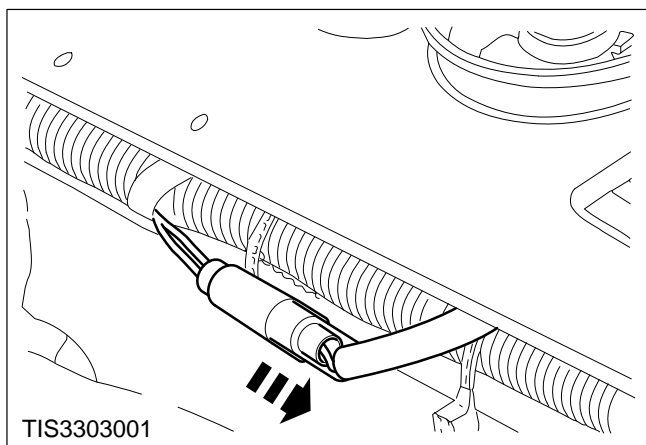


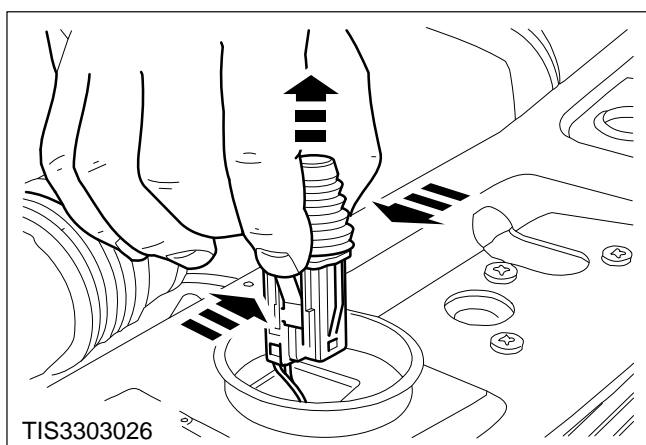
Switch – Hood Alarm – Remove and Install (33 539 0)**Remove**

- 1. Disconnect the battery negative lead.**



- 2. Disconnect the multiplug.**

- Depress the clip on the multiplug and pull apart.
- Cut any necessary cable ties.



- 3. Remove the hood alarm switch.**

Depress the clips on either side of the switch and pull the switch upwards.

Install

- 4. Refit the components in reverse order.**