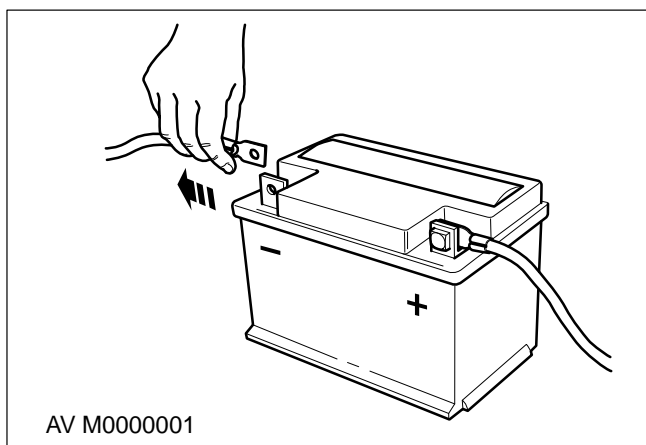
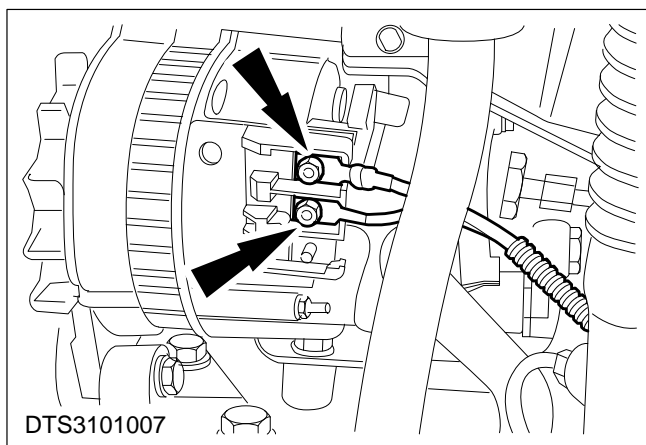


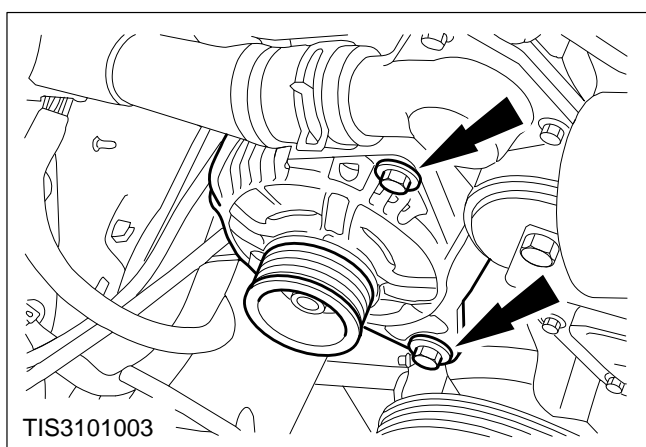
**Alternator Assembly (V6 24V) – Remove and Install (21 414 0)****Remove**

1. Disconnect the battery negative lead.
2. Remove the alternator drive belt (refer to Operation No. 31 413 0).
3. Raise the vehicle.



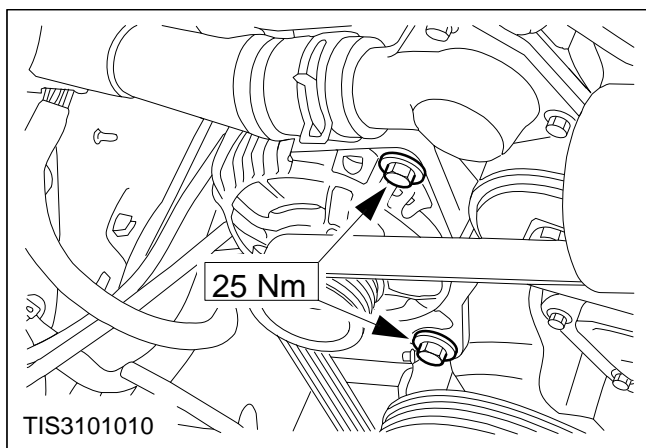
4. Disconnect the alternator wiring.

Two nuts.



5. Remove the two alternator retaining bolts.

- One bolt.
- One bolt and nut.



## Install

6. Align the alternator in the mounting bracket and refit the two retaining bolts.
7. Refit the remaining components in reverse order.

