

Pivot Shaft – Windscreen Wiper – Remove and Install (32 563 0)

Materials

Grease	SAM-1C-9111-A
--------	---------------

Remove

1. Standard preparatory measures:

NOTE: Only dismantle the wiper linkage for repairs.

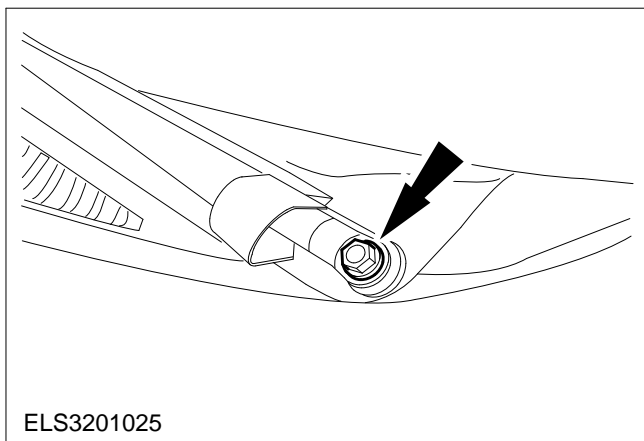
- Make a note of the radio keycode.
- Put protective covers on the wings.
- Make a note of the preset radio stations.

NOTE: The wiper motor must be in the parked position.

CAUTION: Disconnect the battery negative lead.

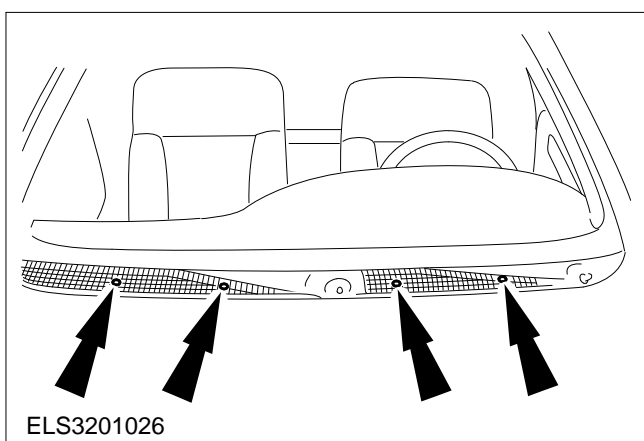
2. Remove the wiper arms (left-hand side shown).

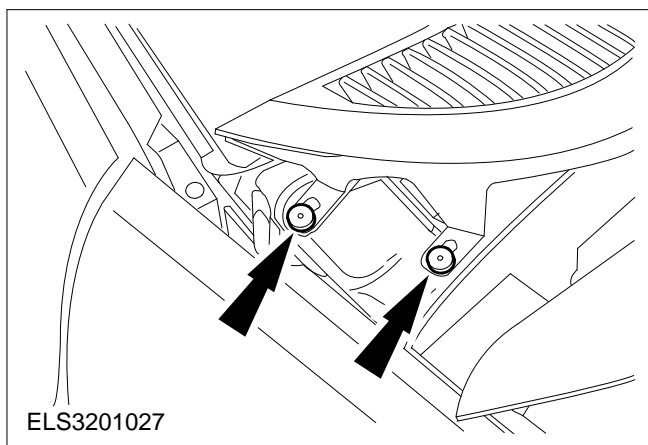
- Unscrew the nuts and remove the waved washers.
- Raise the wiper arms and release them from the taper with sideways movements.



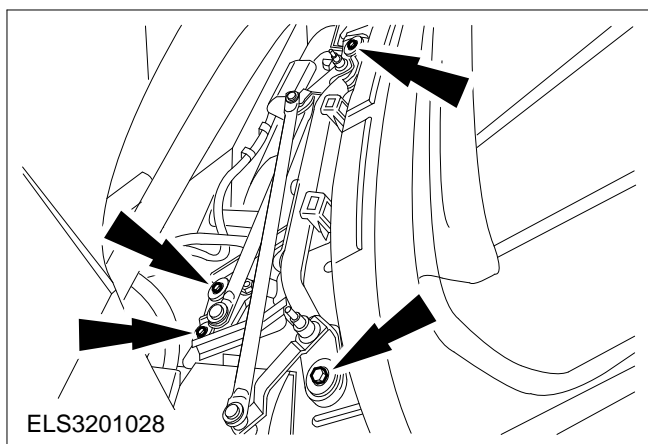
3. Remove the cowl grille.

- Remove the caps and undo the four screws.
- Open the hood.

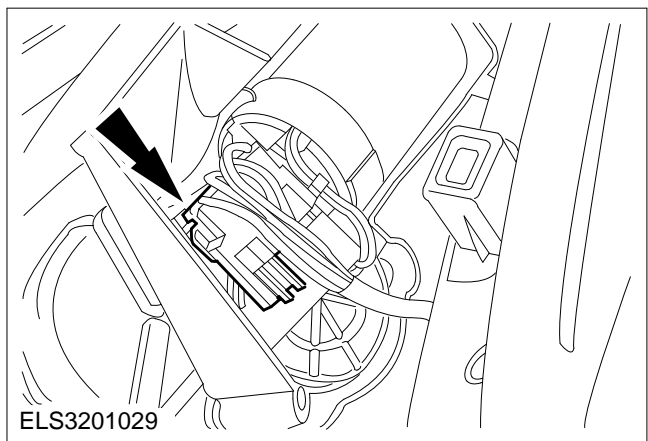




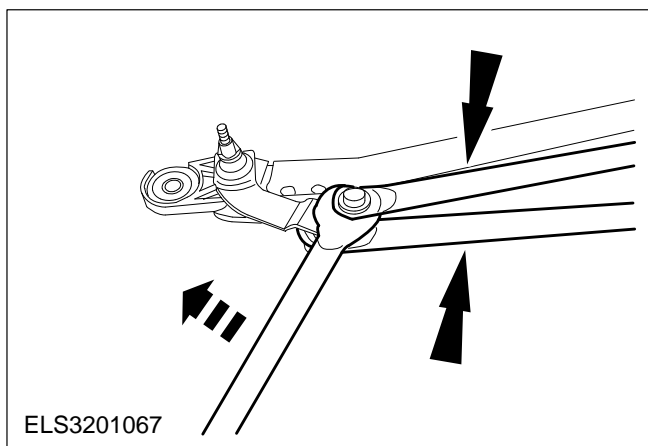
4. Remove the cowl grille (continued).



5. Completely disconnect the wiper motor and the linkage.



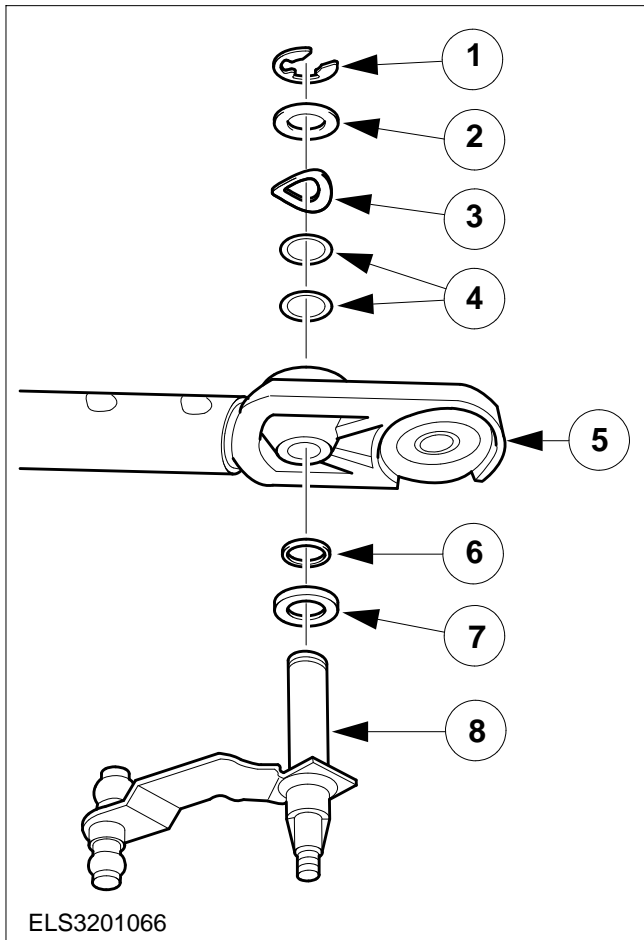
6. Disconnect the wiper motor multiplug.



7. Prise the wiper linkage off the pivot.

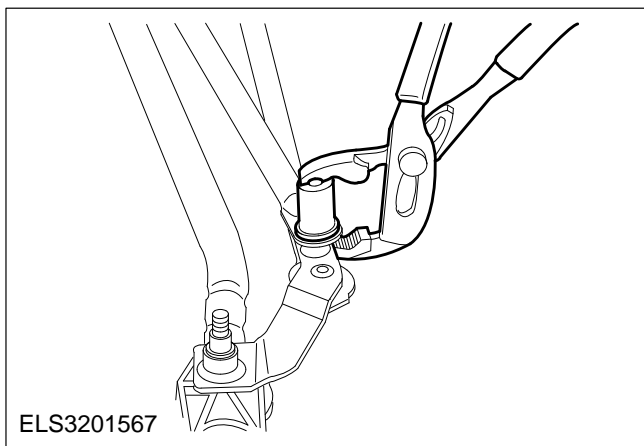
8. Check the running faces of the pivot shaft and linkage.

If necessary, renew the linkage and pivot shaft bearing.



9. Dismantle the pivot bearing.

- 1 Circlip
- 2 Washer (d = 1,8 mm).
- 3 Waved washer.
- 4 Special washers (d = 0,2 mm).
- 5 Pivot shaft bearing bush.
- 6 Seal.
- 7 Washer.
- 8 Pivot shaft.



Install

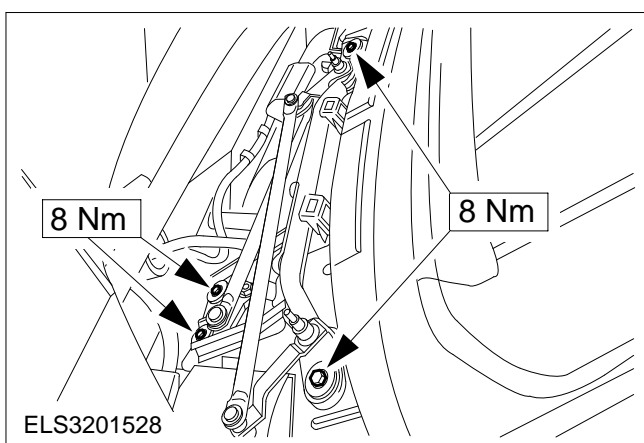
NOTE: Grease the pivot shaft.

10. Reassemble the pivot bearing in the reverse order.

NOTE: Use a pair of universal pliers, with a bush or socket underneath.

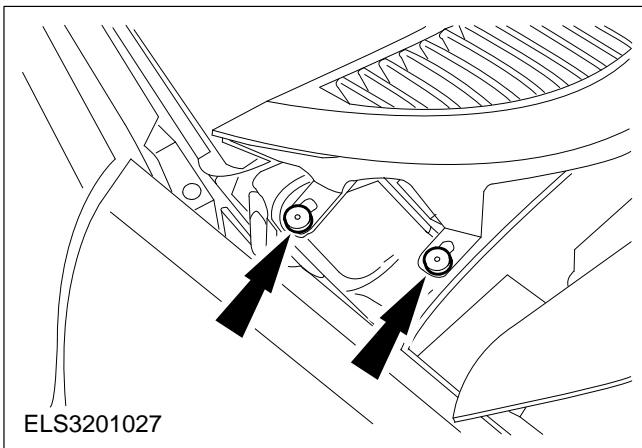
⚠ CAUTION: Only apply pressure to the outer edges of the bearing shells.

11. Clip the wiper linkage onto the pivot.

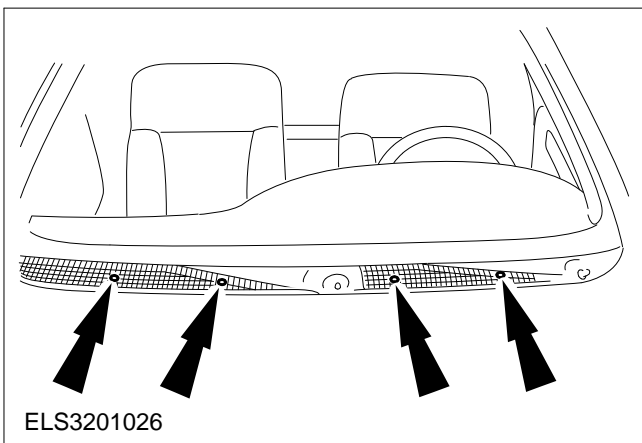


12. Install the wiper motor and the linkage.

13. Push on the wiper motor connector.

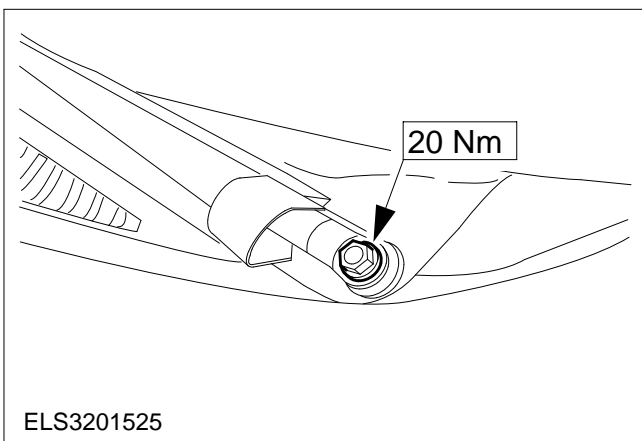


14. Fit the cowl grille.



15. Fit the cowl grille (continued).

- Close the hood.
- Tighten the screws and fit the caps.



16. Fit the wiper arms (left-hand side shown).

- Fit the waved washer and the nut.
- Fit the wiper arms and tighten the nuts fingertight.
- Make sure that the wiper arms do not touch the grille or the trim strip.
- Tighten the nuts of the wiper arms.

17. Standard finishing operations:

- Connect the battery negative lead.
- Remove the protective covers.
- Enter the radio keycode.
- Reprogramme the preset radio stations.
- Reset the clock.
- Road test the vehicle to collect data for the PCM.