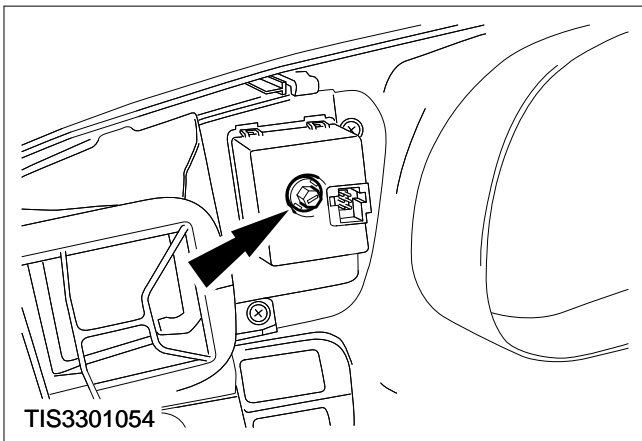


Clock – Remove and Install (33 374 0)

Remove

1. Remove the instrument panel facia (refer to Operation Number 33 213 0).



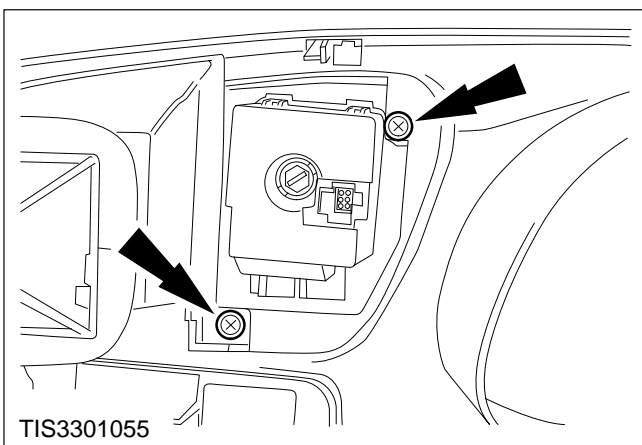
Bulb – Clock – Remove (33 376 0)

2. Remove the bulb.

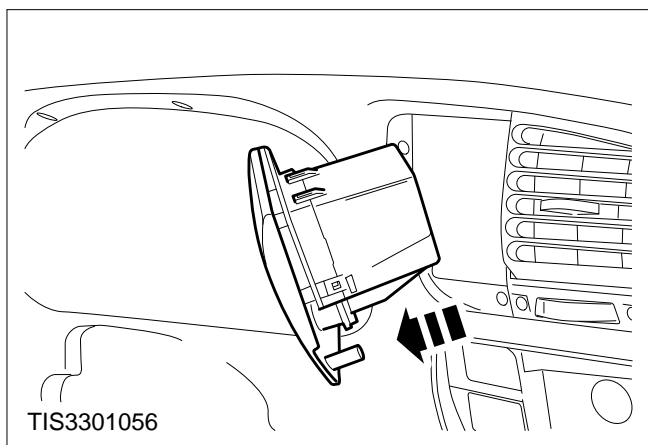
Twist the bulb/holder anticlockwise to remove.

Bulb – Clock – Install (33 376 0)

3. Refit the bulb.



4. Remove the two clock retaining screws.



5. Remove the clock.

Install

6. Refit the components in reverse order.