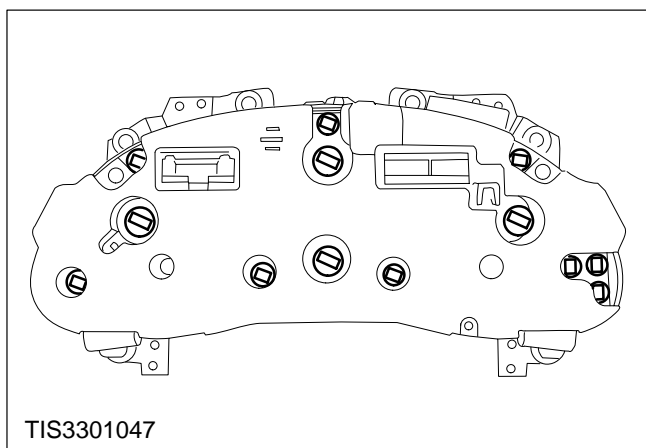


**Bulb – Instrument Cluster – Remove and Install (Instrument Cluster Removed)
(33 228 4)**



Remove

- 1. Remove the appropriate bulb.**

Twist the bulb/holder anticlockwise to remove.

Install

- 2. Refit the bulb.**