

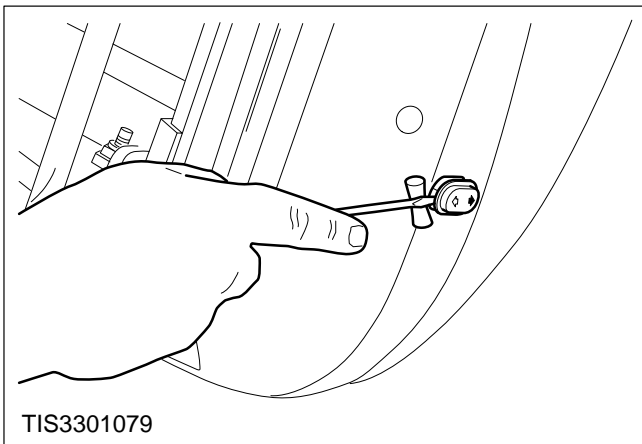
Motor – Seat Operating (Height Adjust) – Front Seat – Remove and Install (33 784 0)

Remove

1. Remove the front seat (refer to Operation Number 40 100 0).

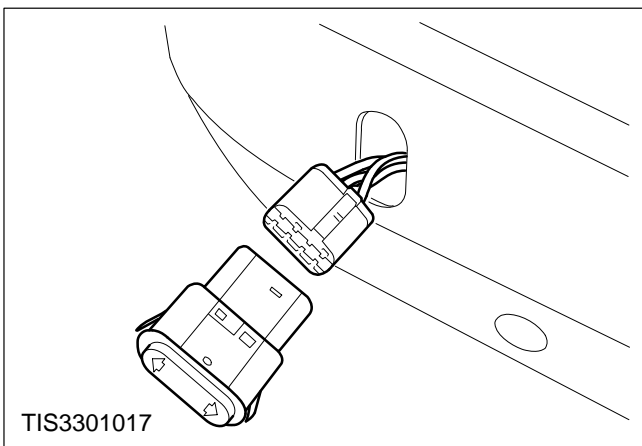
2. **Prise out the height adjust switch.**

Use a pad between the screwdriver and the surround to prevent damage.



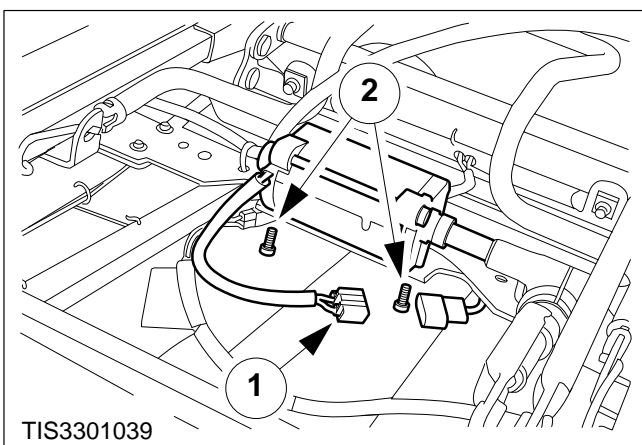
Switch – Front Seat – Height Adjuster – Remove (33 585 0)

3. **Disconnect the multiplug and remove the switch.**



4. **Remove the height adjust motor.**

- 1 Disconnect the multiplug.
- 2 Remove the two retaining screws.
 - Cut cable ties as necessary.



Install

5. Refit the components in reverse order.

Switch – Front Seat – Height Adjuster –
Install (33 585 0)