

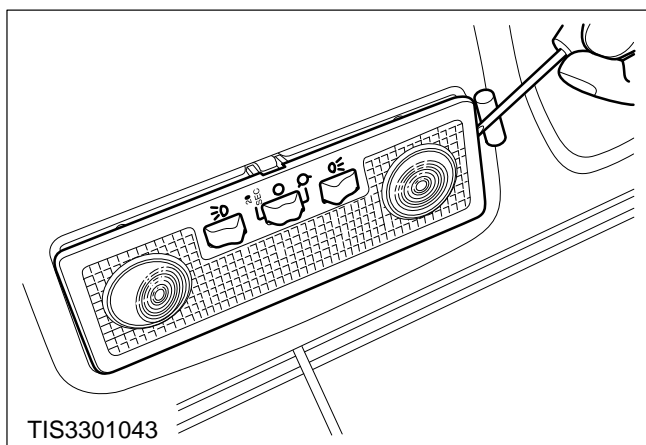
Motor – Sliding Roof Operating – Remove and Install (33 786 0)

Remove

⚠ CAUTION: Disconnect the battery negative lead.

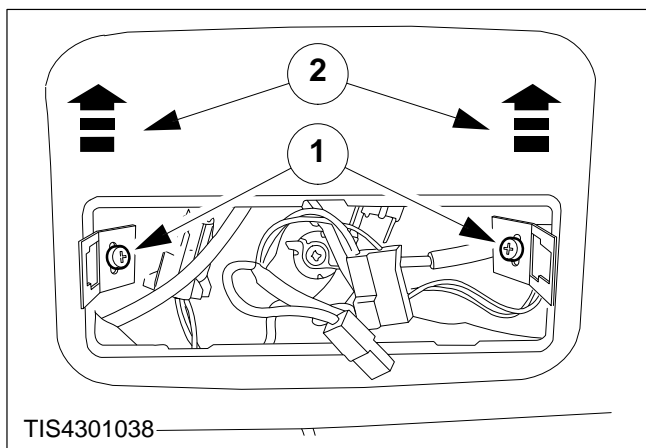
1. Remove the interior lamp assembly.

- Use a pad between the screwdriver and the surround to prevent damage.
- Disconnect the wiring.

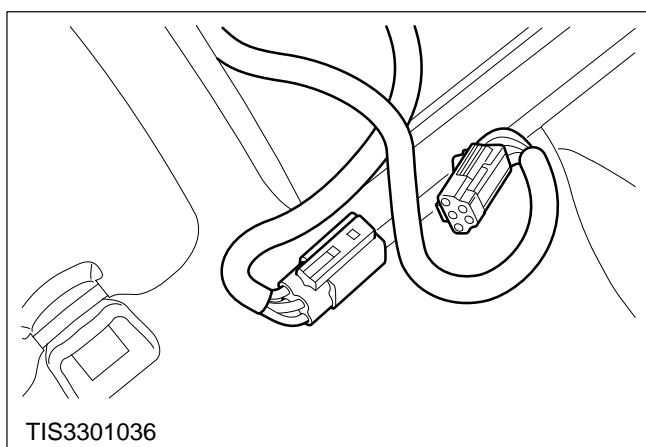


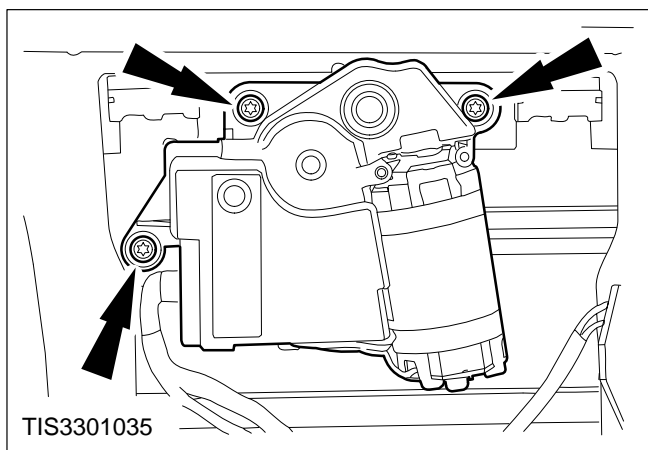
2. Remove the overhead console.

- 1 Remove the two retaining screws.
 - 2 Pull the console backwards to disengage the spring retainers.
- Disconnect the sliding roof operating switch multiplug.



3. Disconnect the motor multiplug.





4. Remove the motor (three bolts).

Install

5. Refit the components in reverse order.