

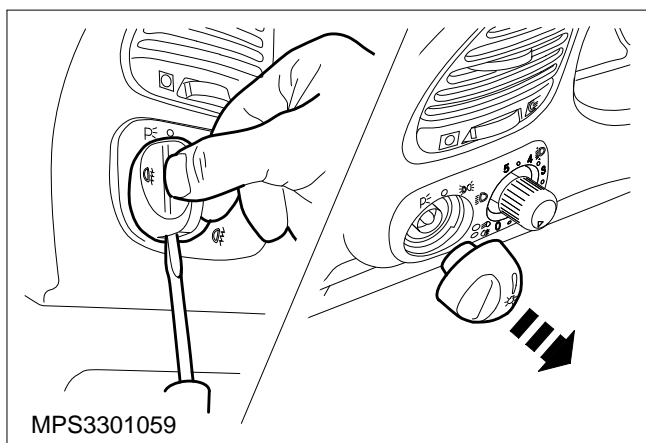
Switch – Headlamp Levelling – Remove and Install (33 515 0)

Remove

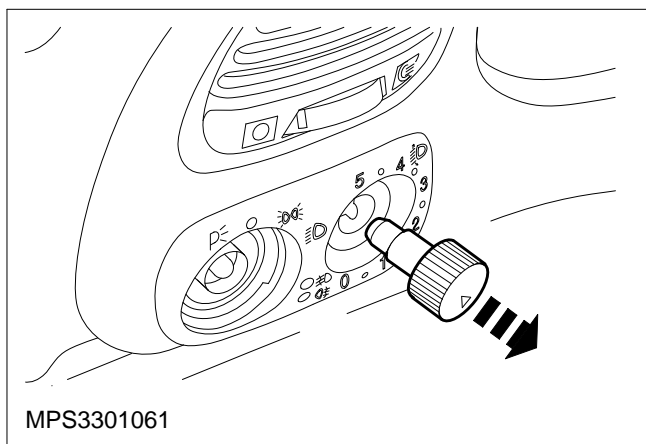
⚠ CAUTION: Disconnect the battery negative lead.

1. Remove the light switch knob.

Using a small screw driver depress the locking detent and pull off the switch knob.

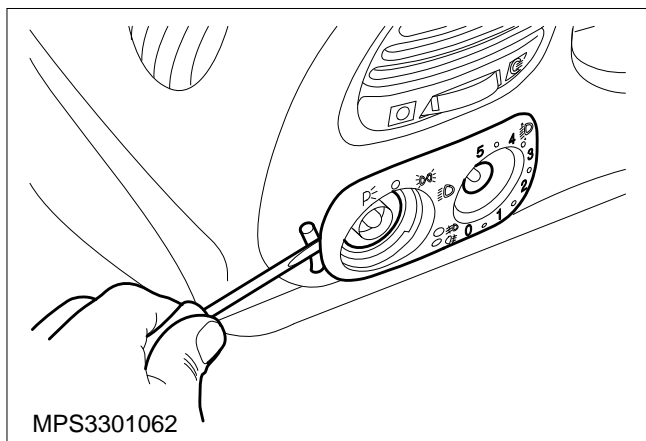


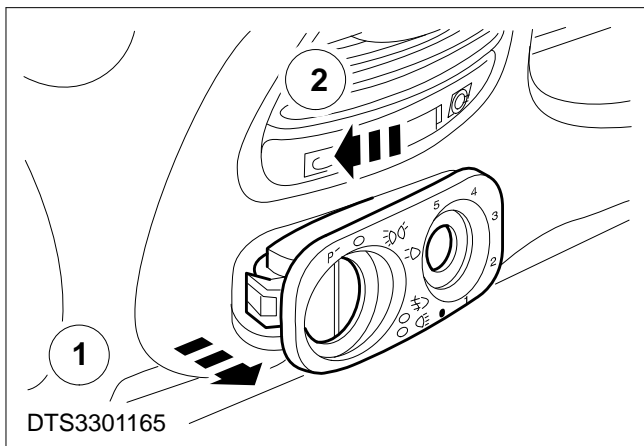
2. Remove the headlamp levelling switch knob.



3. Prise out the switch bezel.

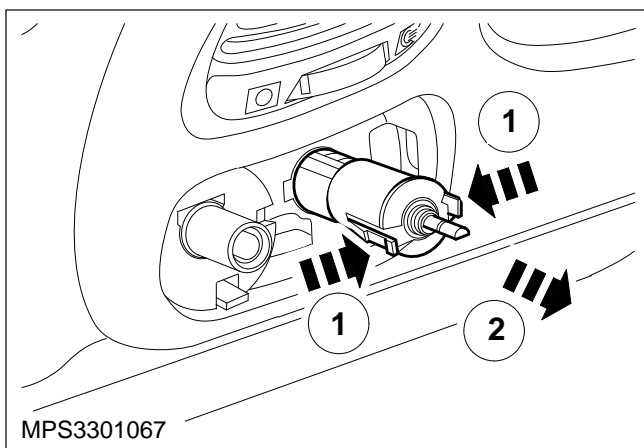
- Prise out the bezel on the light switch side only.
- Use a pad between the screwdriver and surround to prevent damage.





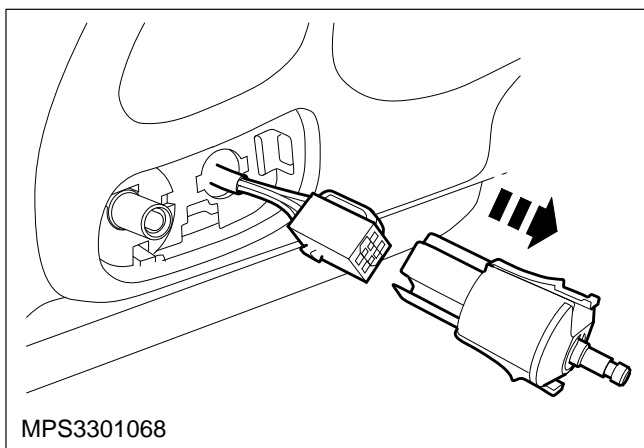
4. Remove the switch bezel.

- 1 Pull out the light switch side of the bezel.
- 2 Slide bezel sideways and remove.



5. Remove the headlamp levelling switch.

- 1 Depress the retaining lugs.
- 2 Pull out the switch.



6. Disconnect the multiplug and remove the headlamp levelling switch.

Install

7. Refit the components in reverse order.