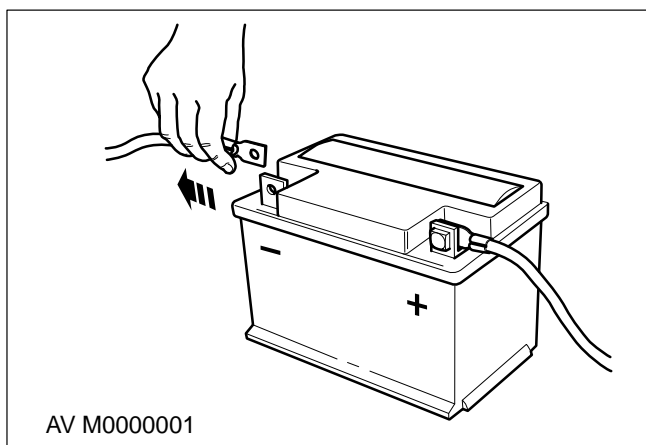
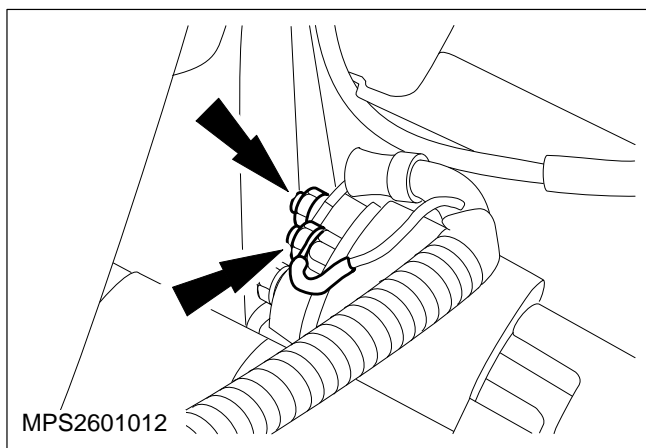
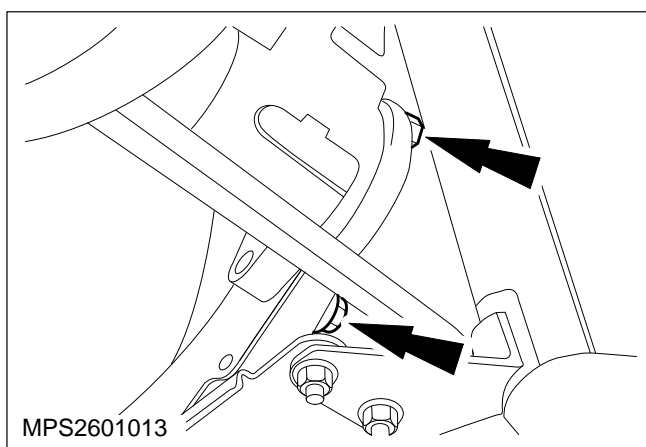


Starter Motor (V6 24V Variants) – Remove and Install (26 204 0)**Remove**

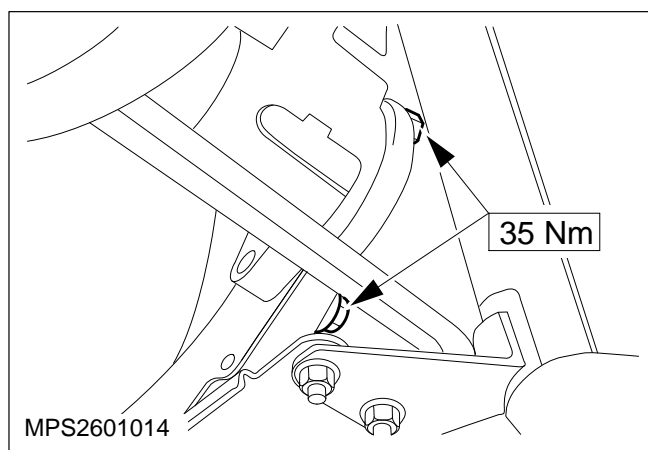
- 1. Disconnect the battery earth lead.**



- 2. Disconnect the starter cables.**



- 3. Remove the starter motor.**



Install

4. Refit the components in reverse order.
5. Lower the vehicle.
6. Reconnect the battery earth lead.