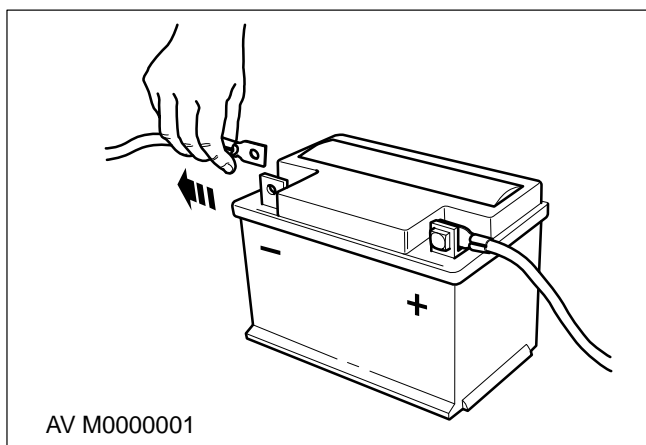
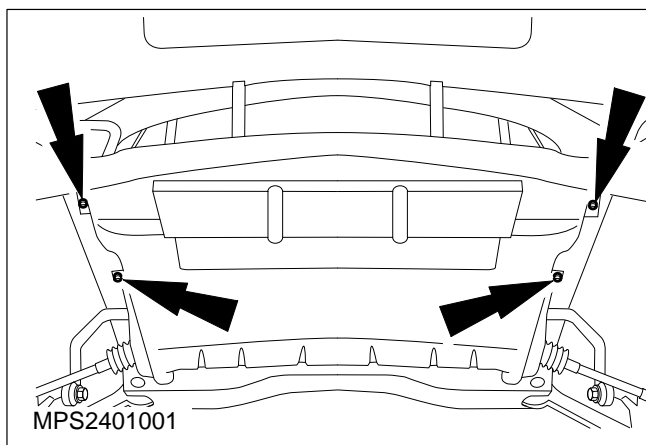
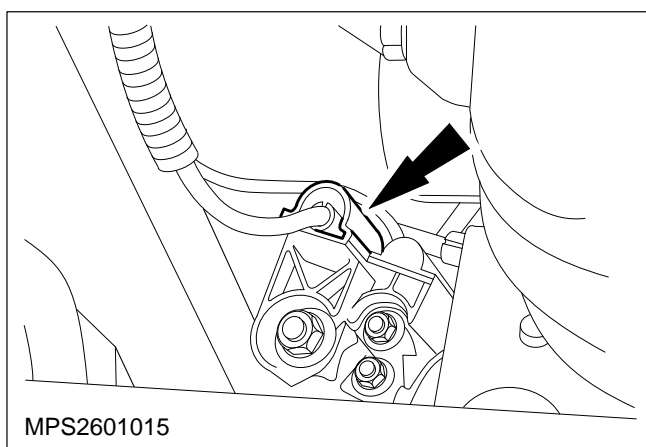


Starter Motor (DOHC Variants) – Remove and Install (26 204 0)**Remove**

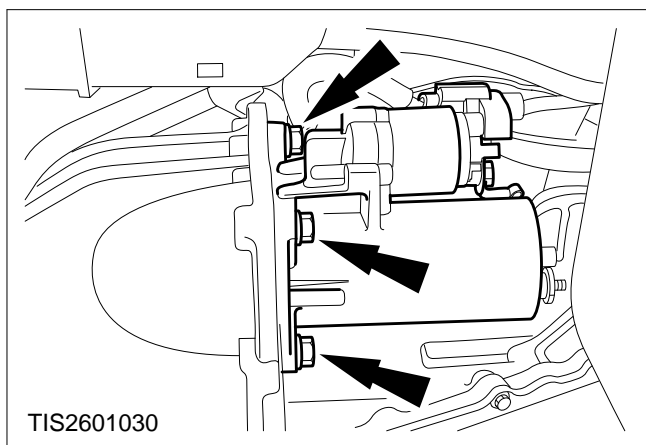
- 1. Disconnect the battery earth lead.**
- 2. Raise the vehicle.**



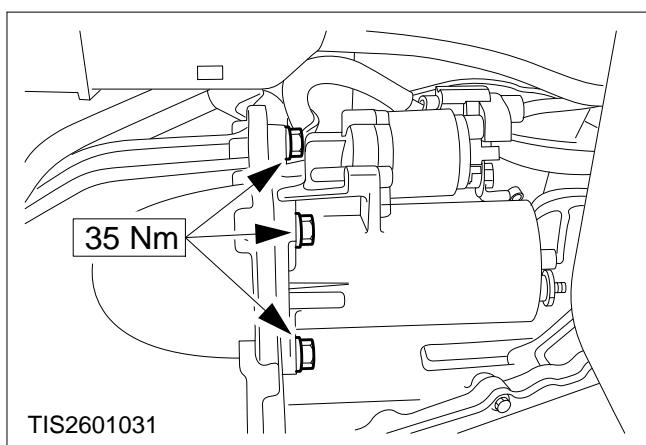
- 3. Remove the undershield.**



- 4. Disconnect the starter motor cables.**
- 5. Remove the starter motor support bracket.**



6. Remove the starter motor (three bolts).



Install

- 7. Refit the components in reverse order.**
- 8. Lower the vehicle.**
- 9. Reconnect the battery earth lead.**