

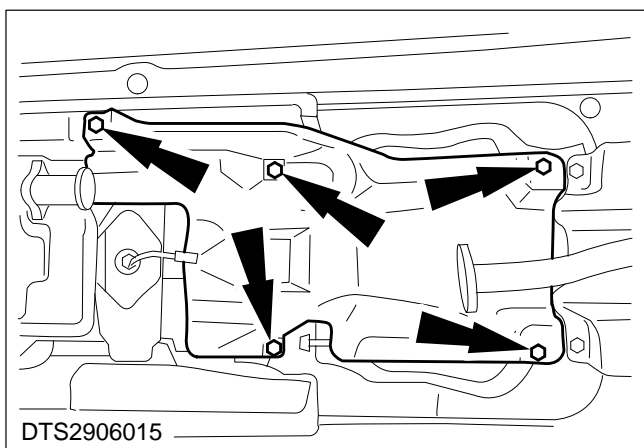
## Sensor – Vehicle Speed – Remove and Install (33 654 0)

**NOTE:** It will be necessary to raise the vehicle in order to carry out this procedure.

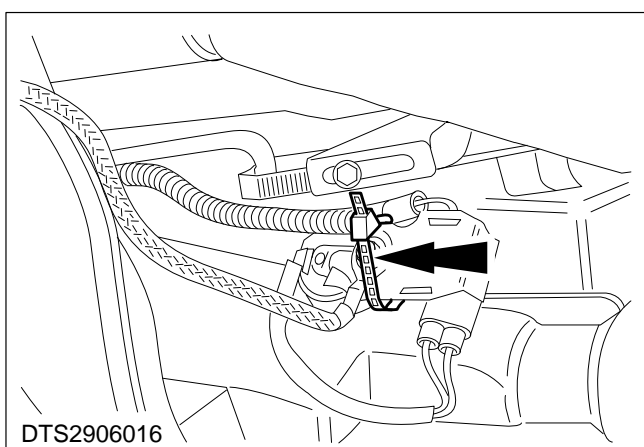
### Remove

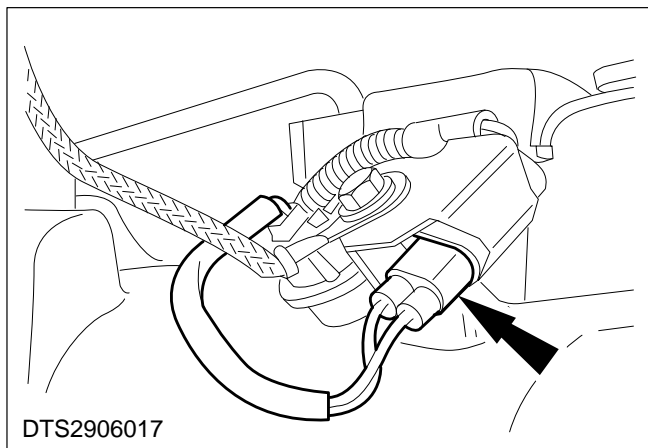
**⚠ CAUTION:** Disconnect the battery negative lead.

1. Raise the vehicle.
2. Remove the catalyst (refer to Operation Number 25 250 0).
3. Remove the catalyst heat shield (five nuts).

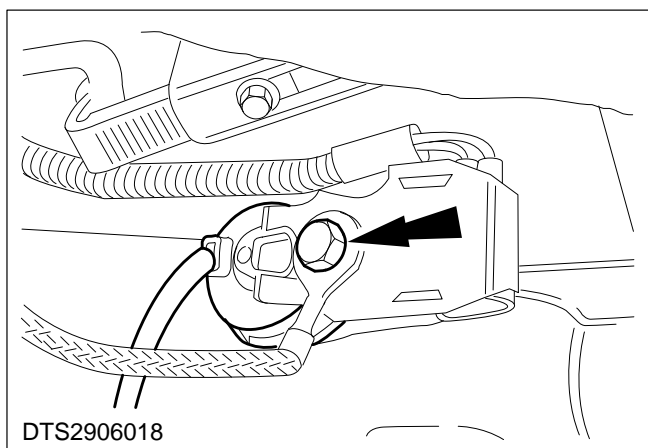


4. Remove the vehicle speed sensor wiring loom cable tie.





- 5. Disconnect the vehicle speed sensor multiplug.**



- 6. Remove the vehicle speed sensor (one bolt).**

### Install

- 7. Refit the components in reverse order.**

Renew the cable tie and ensure that the vehicle speed sensor wiring is retained to the multiplug bracket.