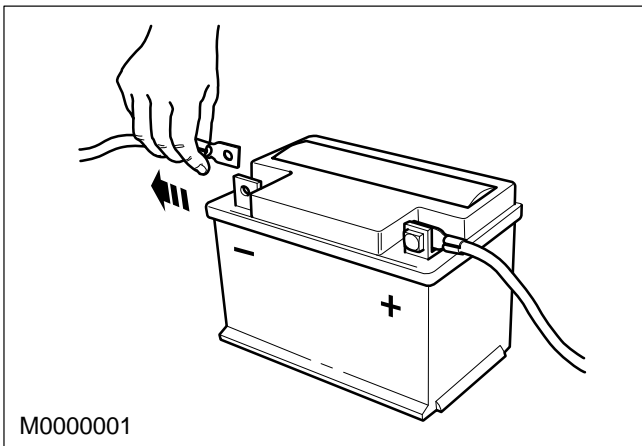
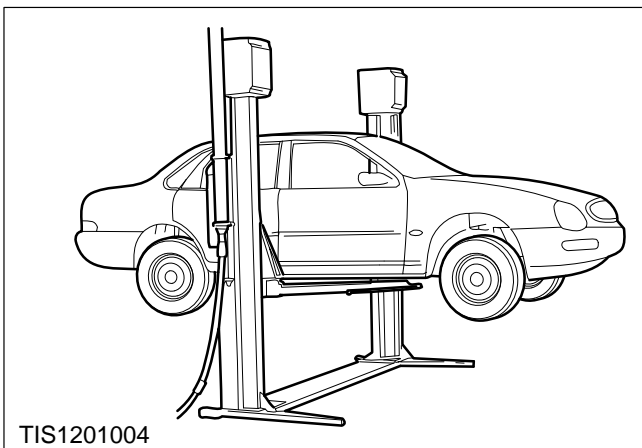


Sensor – Heated Oxygen (Post-Catalyst) – Remove and Install (29 220 0)

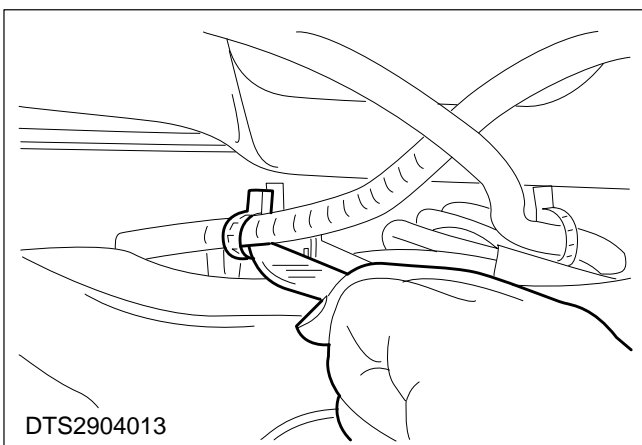


Remove

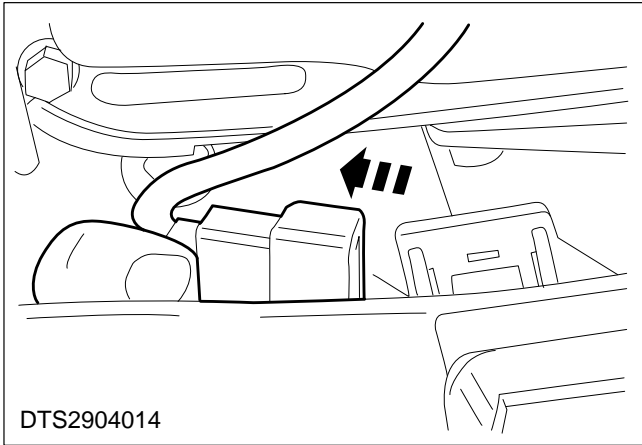
1. Disconnect the battery earth lead.



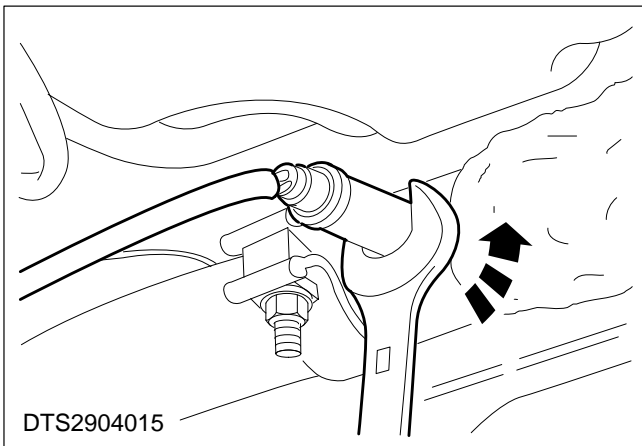
2. Raise the vehicle on a hoist.



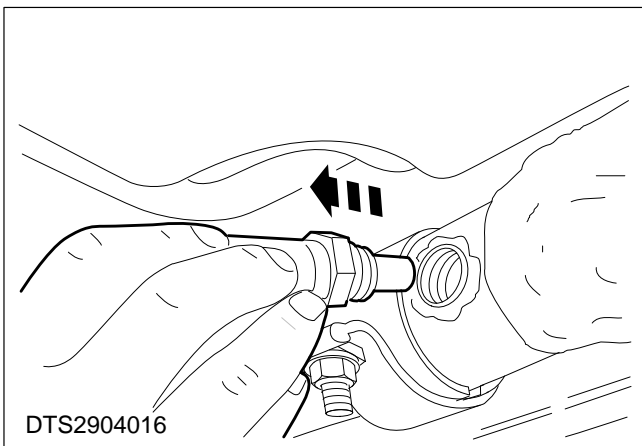
3. Remove the cable tie.



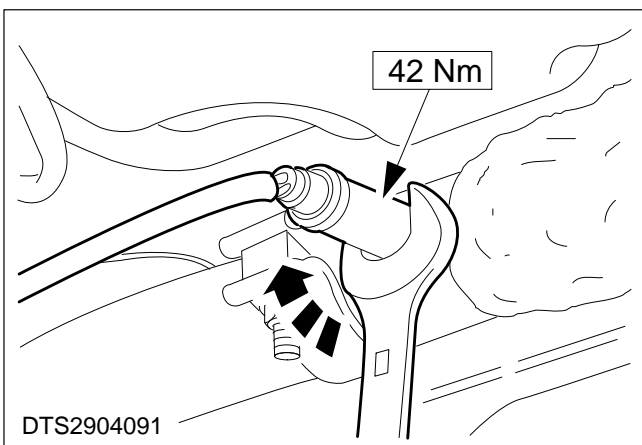
4. Disconnect the multiplug.



5. Unscrew the sensor.



6. Remove the sensor from the exhaust pipe.



Install

7. Refit the components in reverse order.