

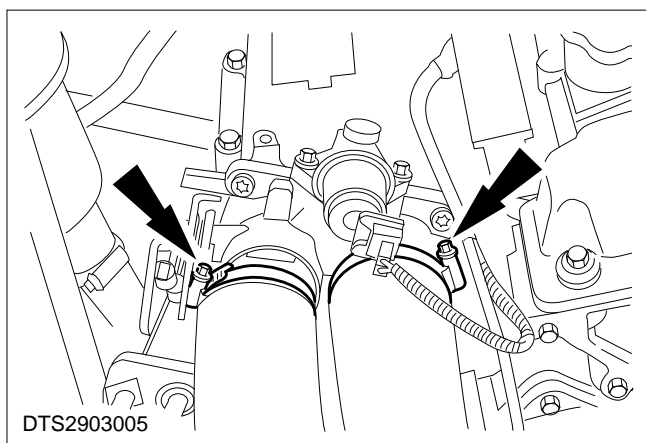
Sensor – Throttle Position (2.0 DOHC) – Remove And Install (23 325 0)

Remove

⚠ CAUTION: Disconnect the battery negative lead.

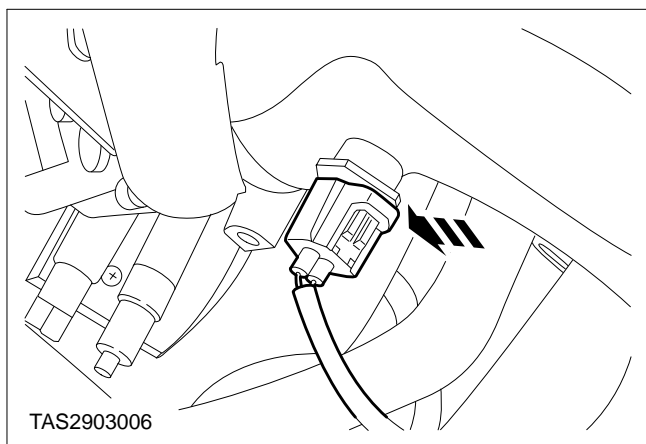
⚠ CAUTION: When disconnecting the multiplugs contained in this operation, do not pull on the wiring; pull on the multiplug body.

1. Slacken the intake hose clips.

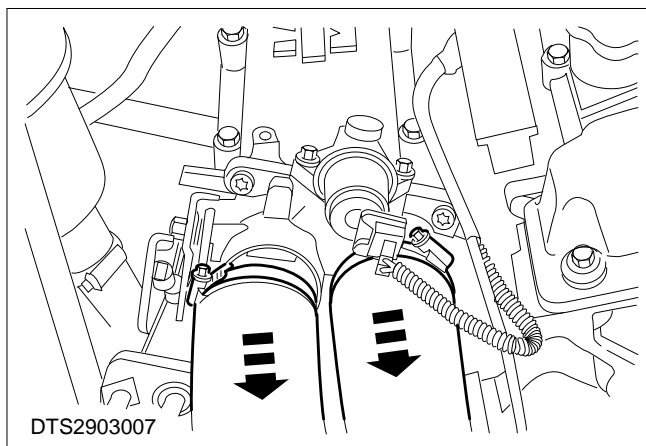


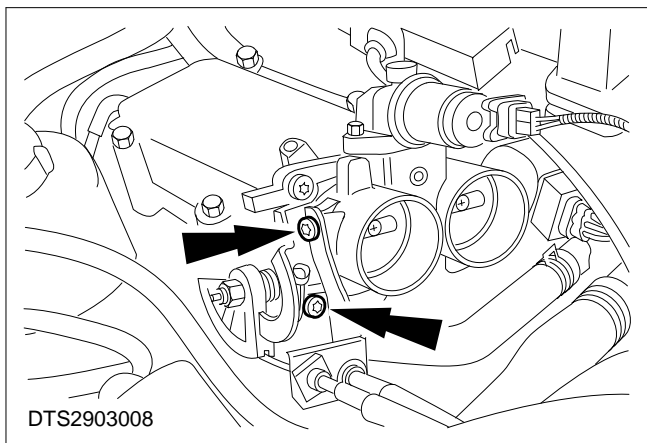
2. Disconnect the IAT sensor multiplug.

Depress the retainer and disconnect the multiplug.

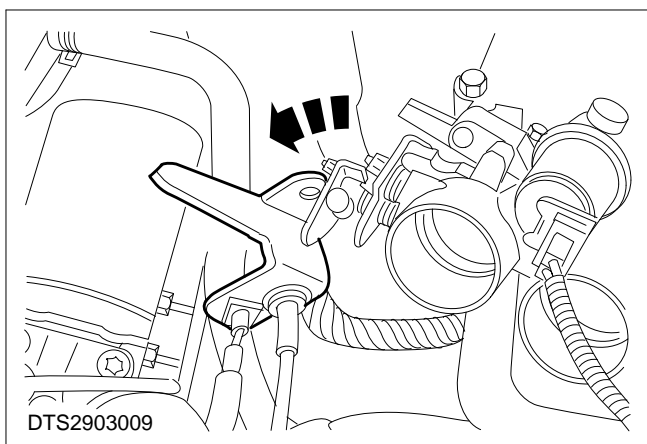


3. Disconnect the intake hoses.

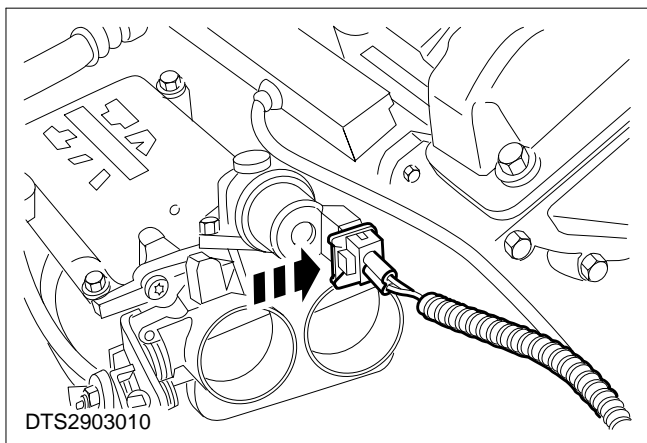




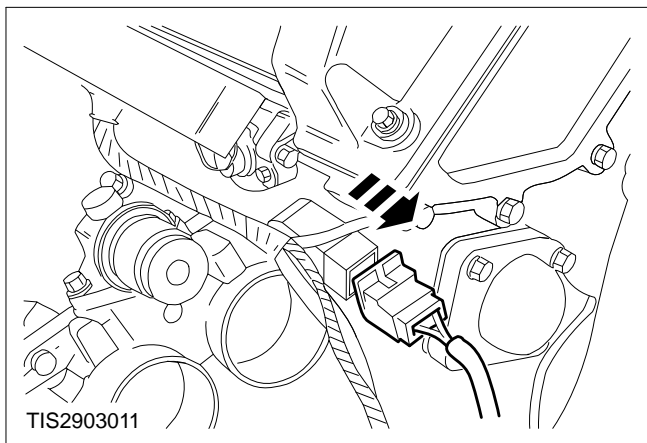
4. **Unscrew the two accelerator cable bracket Torx retaining screws.**



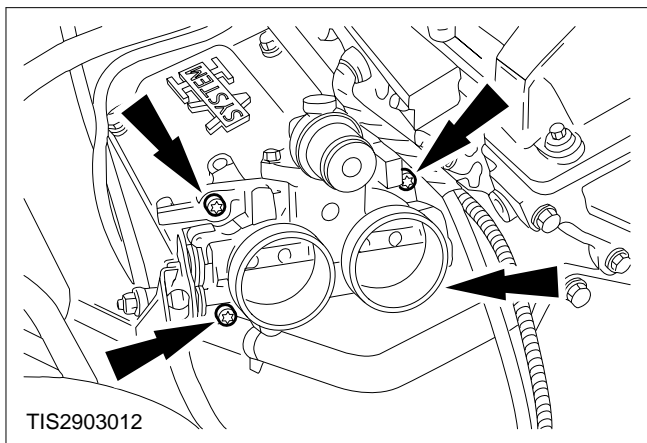
5. **Lift the accelerator cable bracket to one side.**



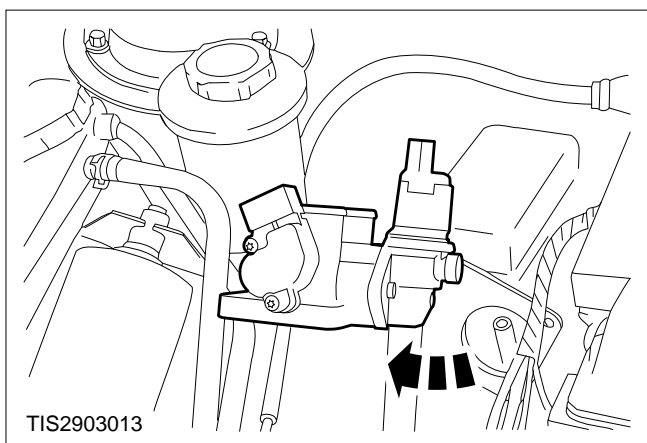
6. **Disconnect the IAC valve multiplug.**



7. **Disconnect the TP sensor multiplug.**



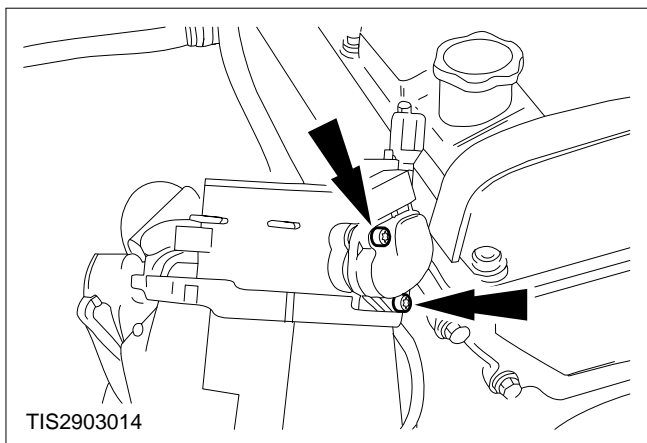
8. Unscrew the four throttle body Torx retaining screws.



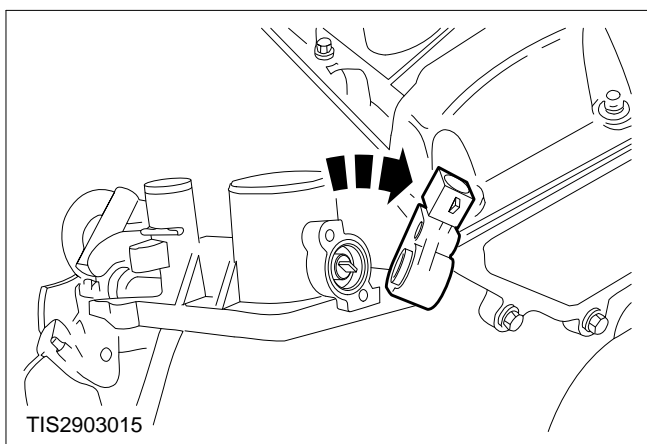
Throttle Body – Remove (23 198 0)

9. Lift the throttle body to one side.

Disconnect the accelerator cables to remove the throttle body.



10. Unscrew the TP sensor Torx retaining screws.



11. Remove the TP sensor.

Install

NOTE: Inspect the O-ring, do not re-use if distorted/damaged.

NOTE: Gasket/rubber seal should not be re-used.

12. Refit the components in reverse order.

Ensure that the TP sensor is correctly located on the throttle plate shaft.

Throttle Body – Install (23 198 0)