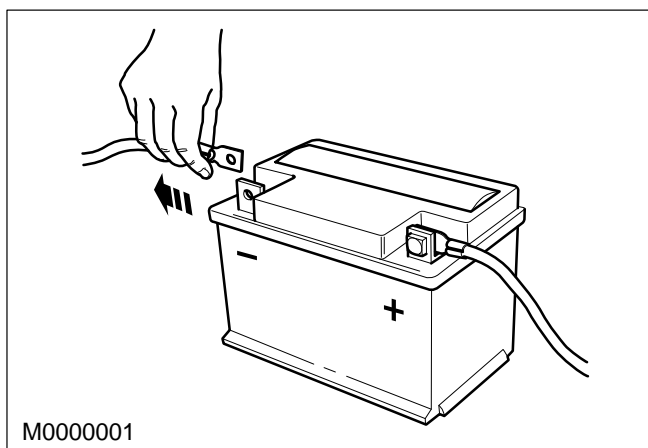
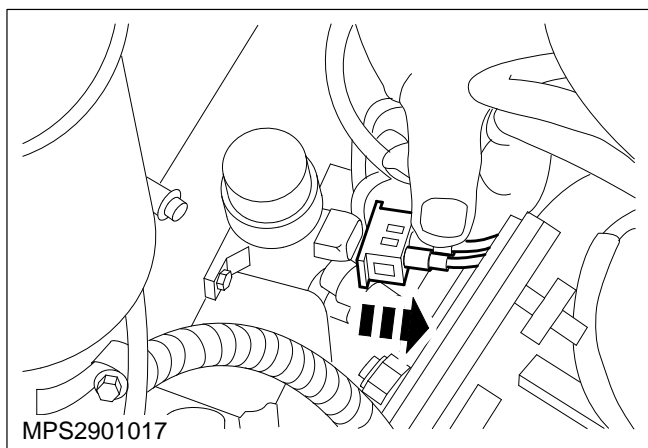


## Regulator – Exhaust Gas Recirculation Vacuum – Remove and Install (23 313 0)



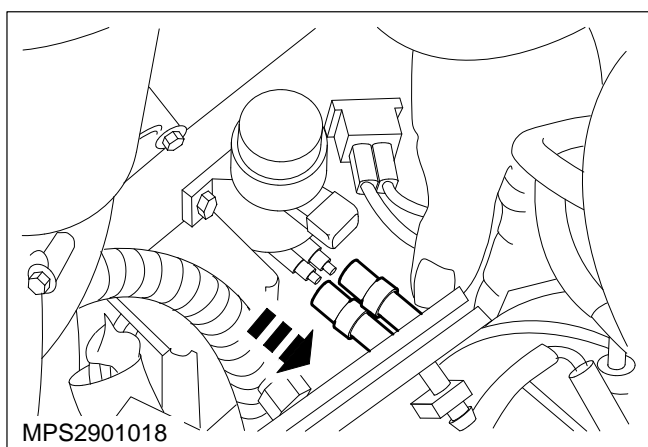
### Remove

1. Disconnect the battery earth lead.

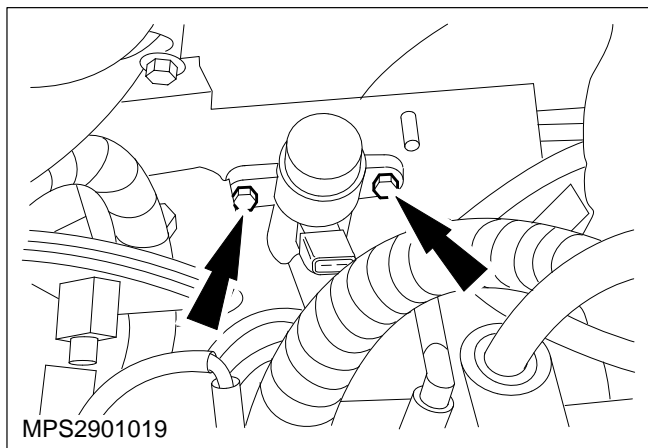


**⚠ CAUTION:** Do not pull on the wiring; pull on the multiplug body.

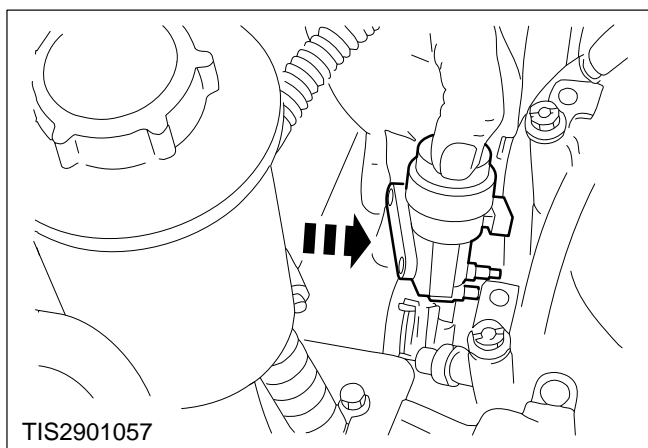
2. Disconnect the EGR vacuum regulator multiplug.



3. Disconnect the vacuum hoses.



4. **Unscrew the EGR vacuum regulator retaining bolts.**



5. **Remove the EGR vacuum regulator.**

Install

6. **Refit the components in reverse order.**