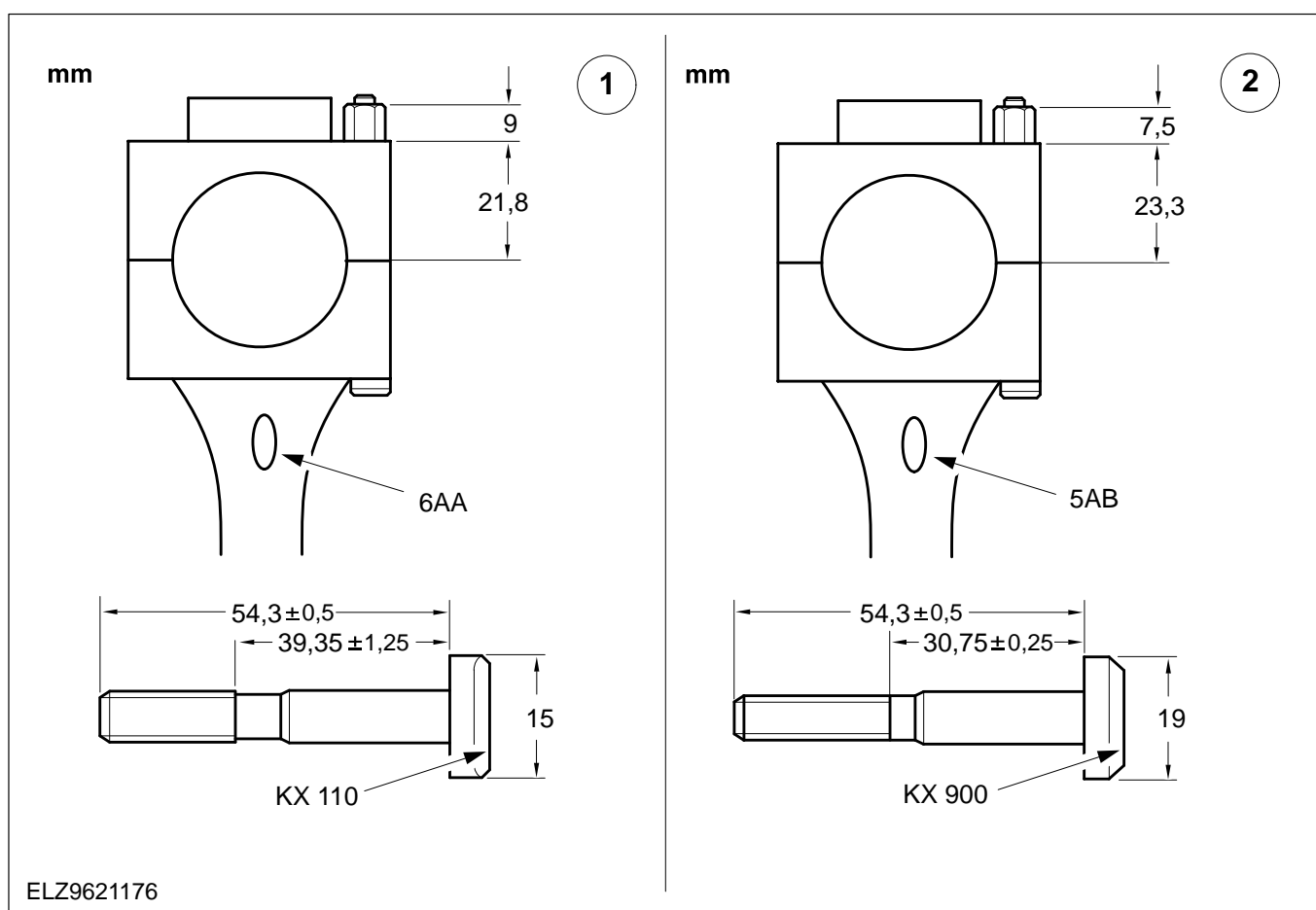


Description and Operation

From February 1996 onwards modified big-end bearing caps together with new big-end bearing nuts and torque to yield bolts of lower tensile strength have been fitted in production.

NOTE: If a connecting rod fitted in the old engine variants has to be renewed, all the connecting rods must be renewed as the old type of connecting rod is no longer available.

The big-end bearing bolts may be identified as shown in the following illustration:



1. Old big-end bearing bolt used in production (Part No. 78TM-6214-A2A)

| Identification | Tightening method | Up to engine no.: | Strength | Remarks |
|----------------|----------------------------|---|-------------------------------|---------|
| KX110 | Torque tightening to 30 Nm | V6 12V Engines: TCA 8000, TLC 0029, TSC 0044. V6 24V Engines '95 MY: FBC 9000, FLC 0034, FSC 0012. V6 24V Engines '91 MY: FLA 0263, FSA 0032. | 1100 – 1300 N/mm ² | - |

2. New big-end bearing bolt (Part no. 97JM-6214-AB)

| Identifi- cation | Tightening method | Up to Engine no.: | Strength | Remarks |
|---------------------|--|---|------------------------------------|---------|
| KX900 | Torque tightening to 20 Nm and angular tightening 90° | V6 12V Engines: TCA 8000, TLC 0029, TSC 0044. V6 24V Engines '95 MY: FBC 9000, FLC 0034, FSC 0012. V6 24V Engines '91 MY: FLA 0263, FSA 0032. | 900 – 1050 N/mm ² | - |

**Special big-end bearing bolt developed as a replacement part (not illustrated)
(Part No. 78TM-6214-A2A)**

| Identifi- cation | Tightening method | Engine No. onwards: | Strength | Remarks |
|--------------------------------------|----------------------------------|---|-------------------------------------|---|
| White paint mark on head | Torque tightening to 30 Nm | V6 12V Engines: TCA 8000, TLC 0029, TSC 0044. V6 24V Engines '95 MY: FBC 9000, FLC 0034, FSC 0012. V6 24V Engines '91 MY: FLA 0263, FSA 0032. | 1100 – 1300 N/mm ² | only obtainable as a replacement part |