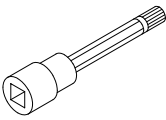
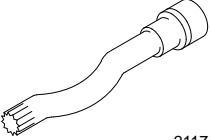
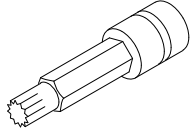
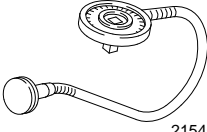


Cylinder Head Bolts - Retorque (21 161 0)

Special Tools

 <p>21002</p>	<p>21-002 Splined head socket, M12 cylinder head bolts</p>
 <p>21174</p>	<p>21-174 Wrench for M12 cylinder head bolts</p>

 <p>21175</p>	<p>21-175 Wrench for M14 cylinder head bolts</p>
 <p>21540</p>	<p>21-540 Bolt tightening angle gauge</p>

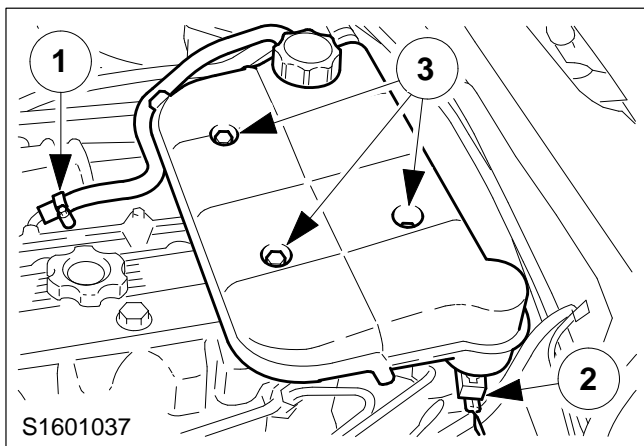
Retorque cylinder head bolts

1. General notes.

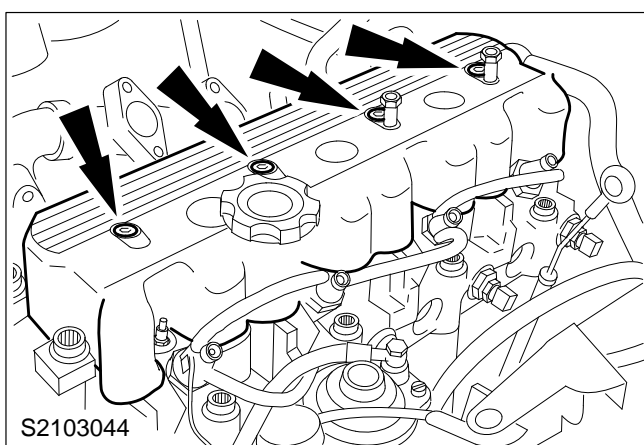
Before carrying out the following operation, allow the engine to warm up for about 20 minutes and then allow the cylinder heads to cool down to about 40°C.

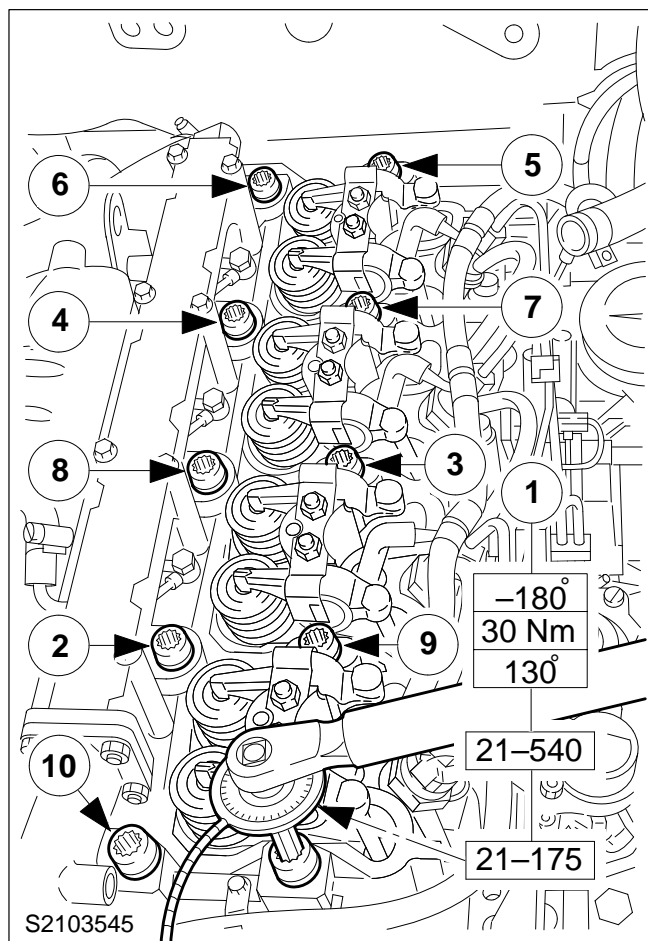
2. Detach the coolant expansion tank and lay it to one side.

- 1 Detach the coolant hose and close off the openings.
- 2 Disconnect the plugs.
- 3 Remove the bolts.



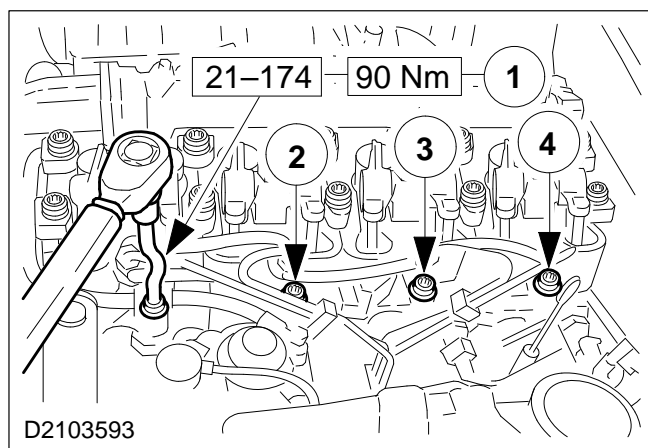
3. Remove the cylinder head cover.



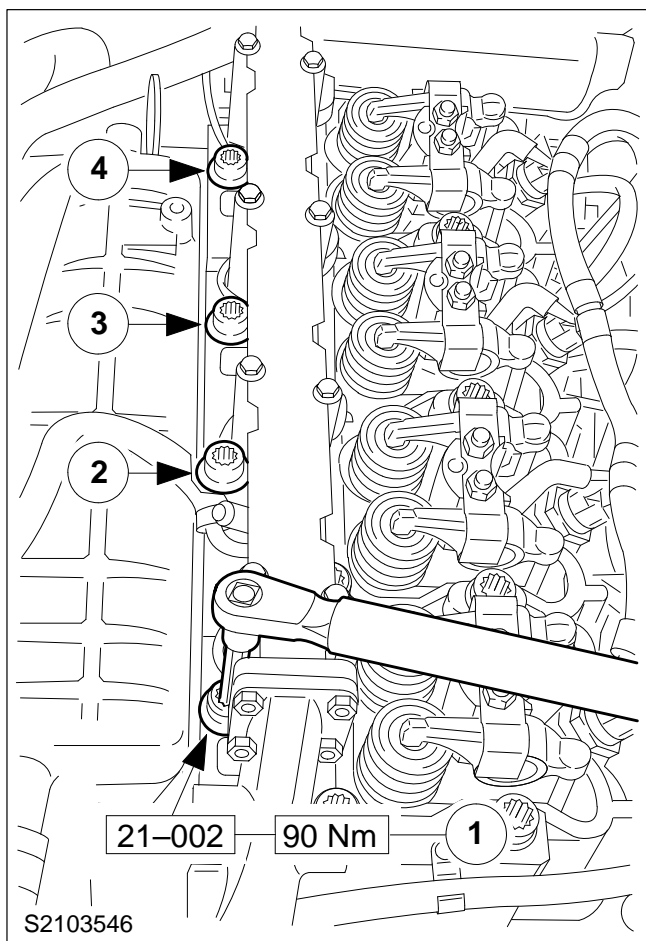


CAUTION: Undo only one cylinder head bolt at a time, then tighten it to the correct torque and angle. Only then move on to the next bolt.

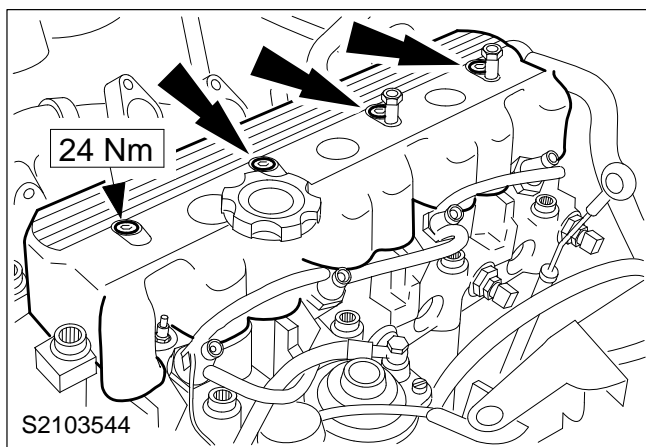
4. Tighten each M14 inner cylinder head bolt individually, following the tightening sequence.



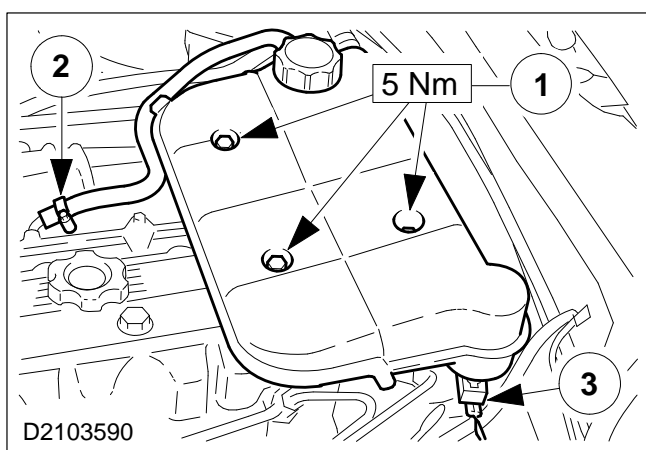
5. Check that the M12 outer cylinder head bolts on the injection pump side are tight to the specified torque, re-torque them if necessary.



6. Check that the M12 outer cylinder head bolts on the exhaust side are tight to the specified torque, re-torque them if necessary.



7. Fit the cylinder head cover using a new gasket.



8. Fit the coolant expansion tank.

- 1 Screw in the bolts.
- 2 Fit the coolant hose.
- 3 Connect the plugs.

Top up the coolant if necessary.