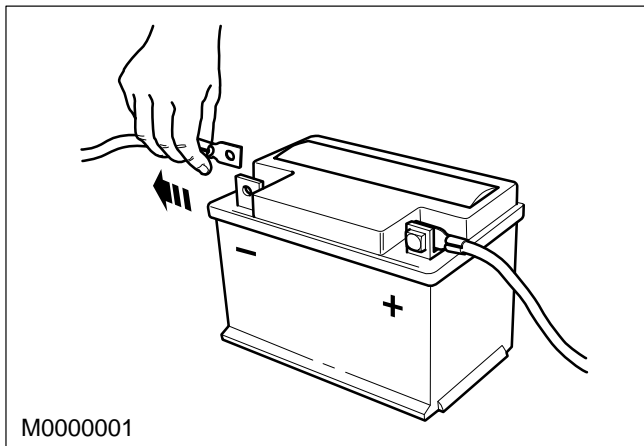
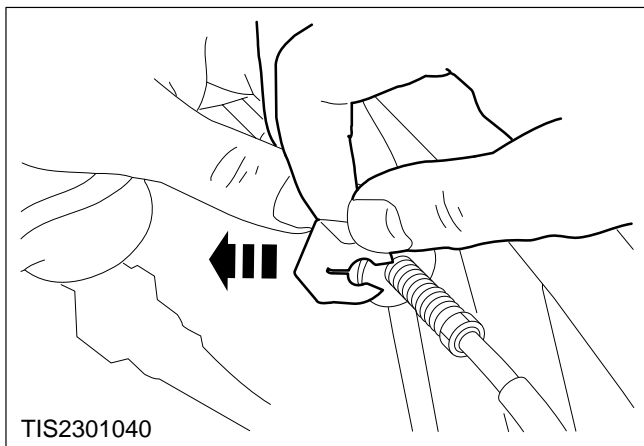


Cable – Accelerator (Diesel Variants up to 97¼ MY) – Adjust (23 811 0)

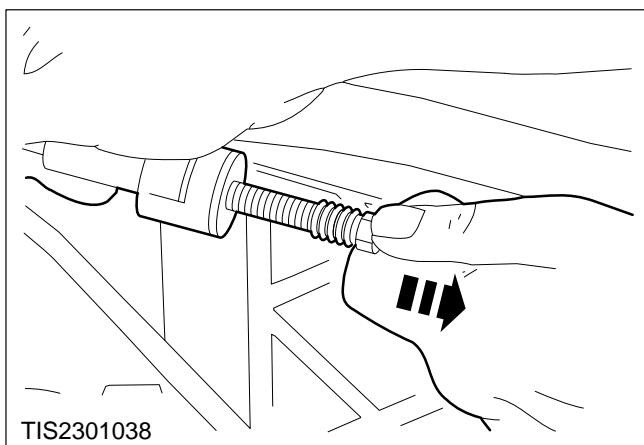


Adjust

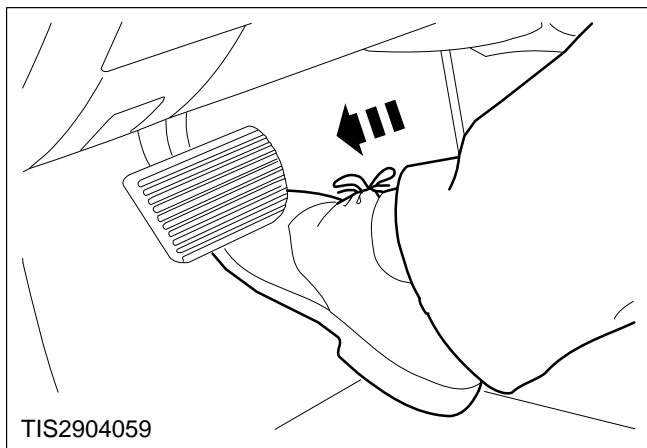
1. Disconnect the battery earth lead.



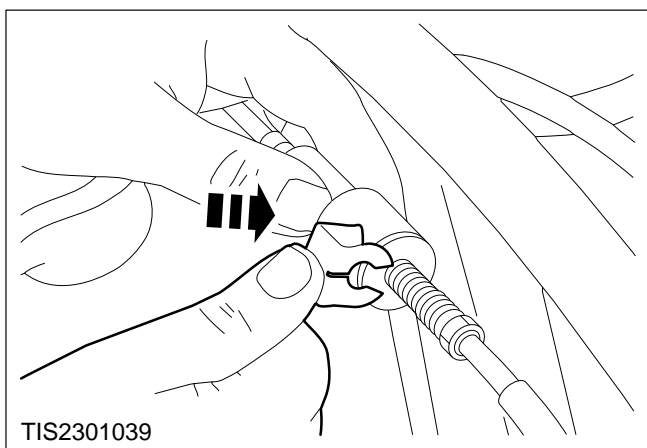
2. Remove the adjuster clip.



3. Pull the adjuster apart.



4. Depress the accelerator pedal fully and release slowly.



5. Refit the adjuster clip.
6. Depress the accelerator pedal fully and check that full travel is achieved at the injection pump.