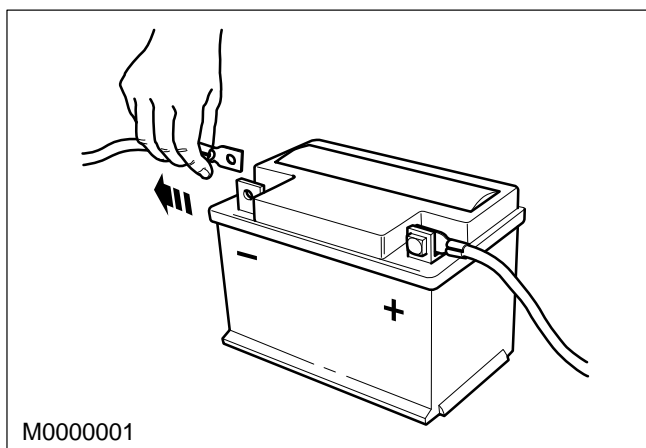
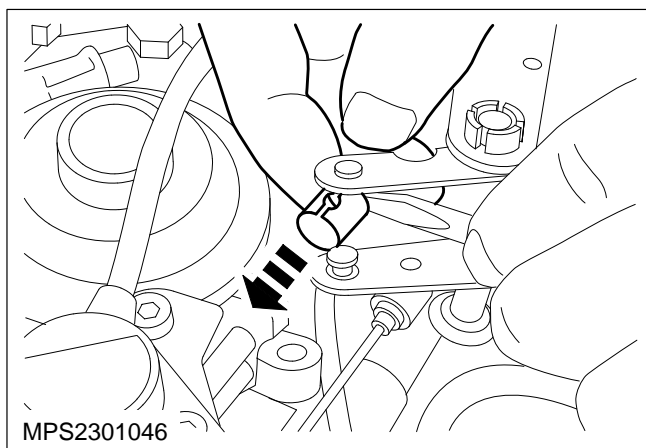


Cable – Accelerator (Diesel Variants) – Remove and Install (23 826 0)

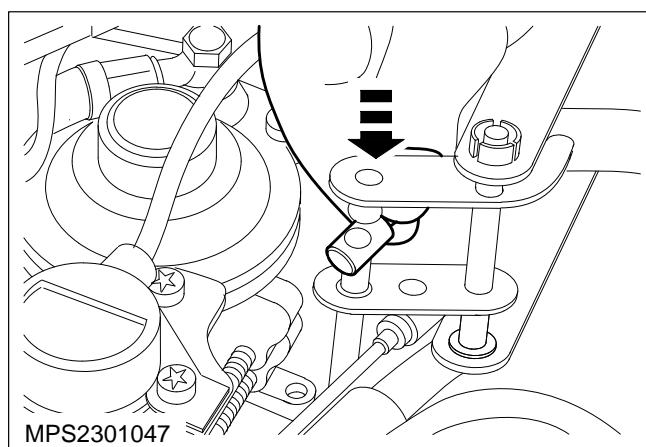


Remove

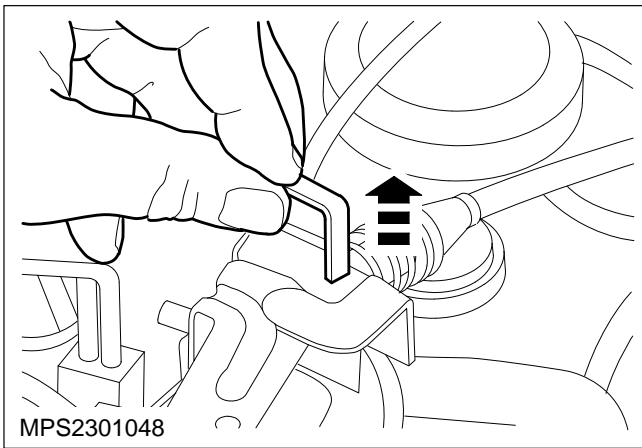
1. Disconnect the battery earth lead.



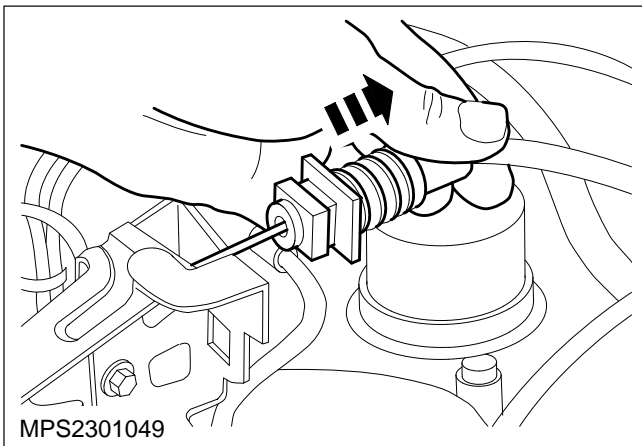
2. Remove the inner cable retaining clip.



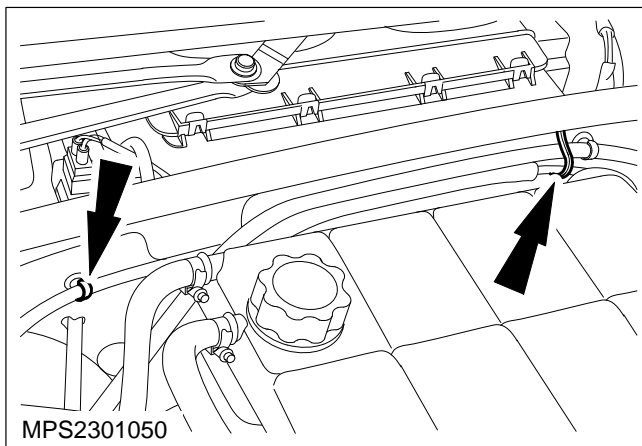
3. Disconnect the inner cable from the injection pump mechanism.



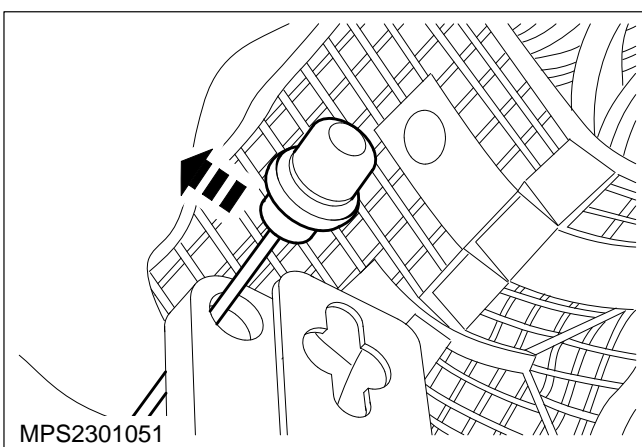
4. Remove the outer cable retaining clip.



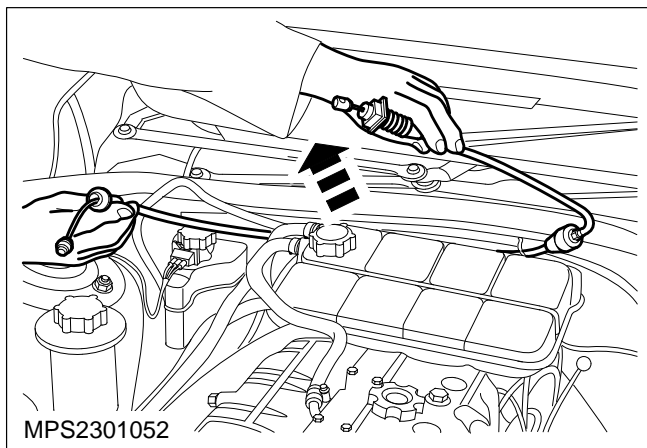
5. Disconnect the outer cable from the bracket.



6. Cut the cable ties which secure the outer cable to the bulkhead.



7. Unclip the inner cable from the accelerator pedal.



8. Remove the accelerator cable.

Install

9. Refit the components in reverse order.

10. Adjust the accelerator cable (refer to Operation No. 23 811 0).