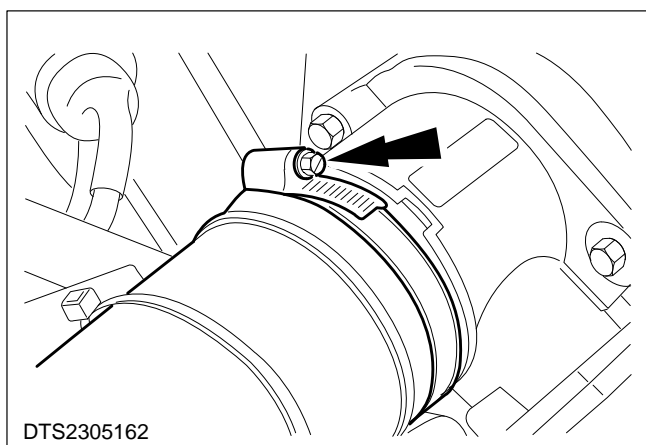
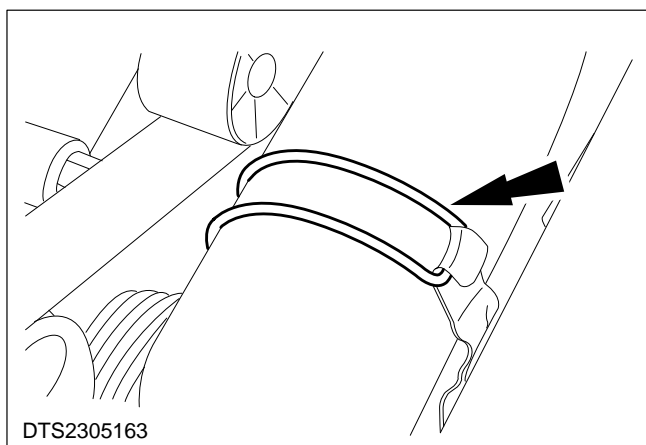
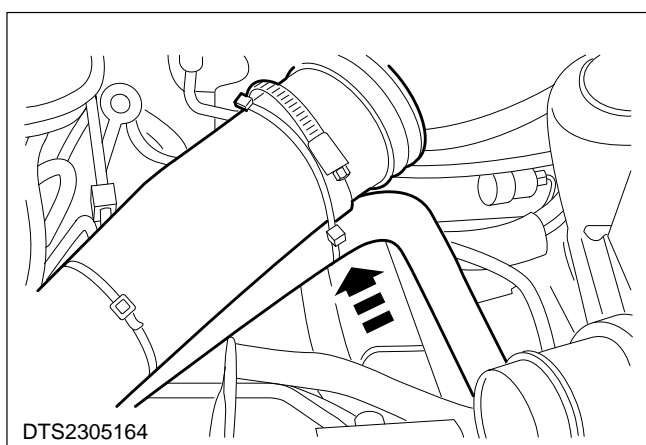


**Element – Air Cleaner (Diesel Variants 97¼ MY Onwards) – Remove And Install
(23 184 0)****Remove**

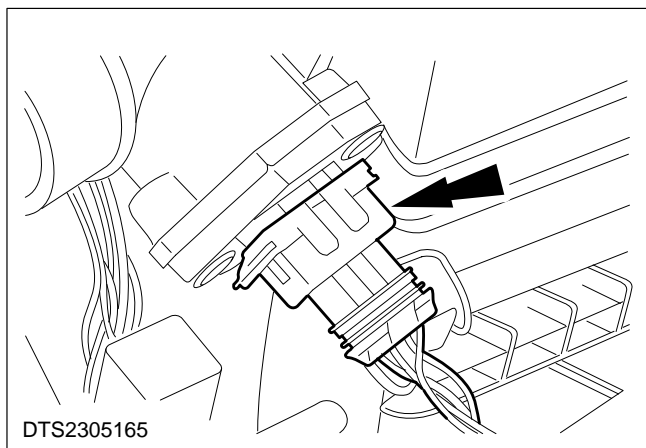
- 1. Disconnect the air cleaner outlet tube from the mass air flow sensor.**



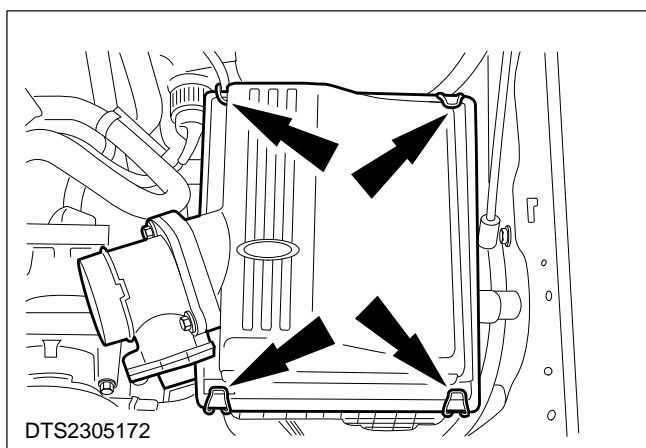
- 2. Remove the air cleaner outlet tube retaining band.**



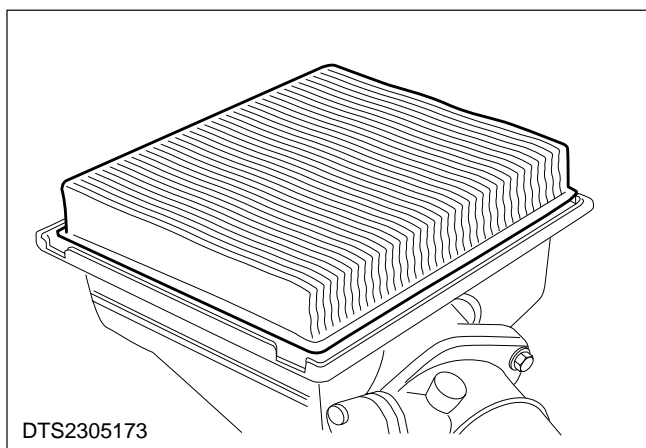
- 3. Position the air cleaner outlet tube to one side.**



4. Disconnect the mass air flow sensor electrical connector.



5. Remove the air cleaner housing cover retaining clips.
 - Release the retaining clips.



6. Remove the air cleaner element.

Install

7. To install, reverse the removal procedure.