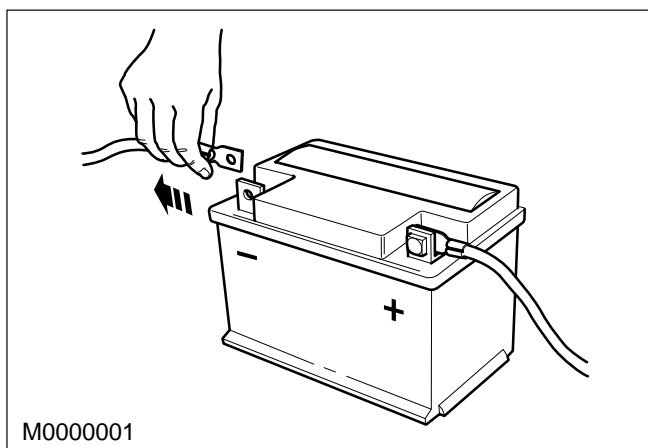
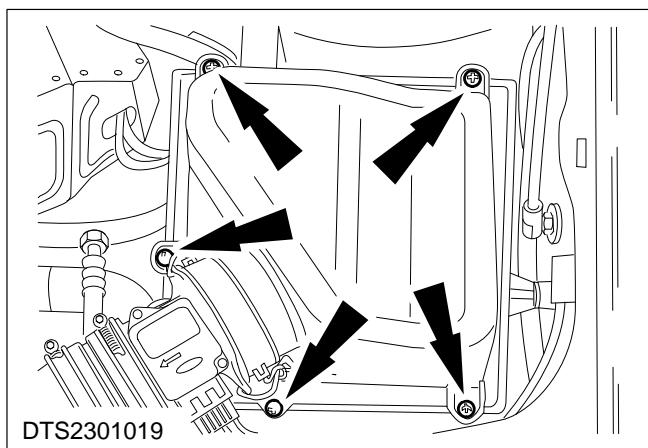


Element – Air Cleaner (Petrol Variants) – Replace (23 184 0)

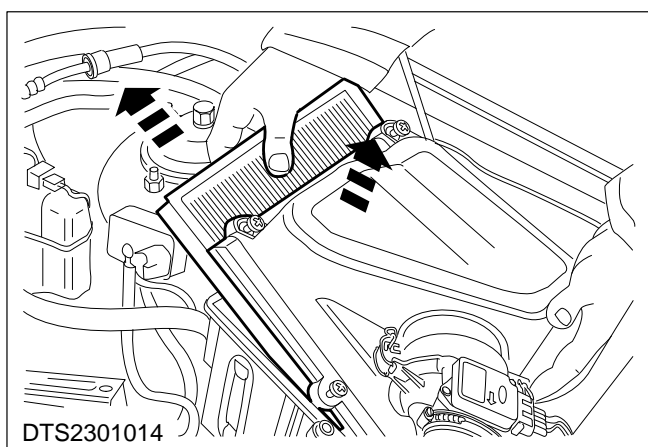


Remove

1. Disconnect the battery earth lead.



2. Unscrew the air cleaner upper housing retaining screws.



3. Lift the air cleaner upper housing and remove the air cleaner element.

Install

4. Refit the components in reverse order.

Always use a new air cleaner element; do not attempt to clean the old one.