

Module – Side Air Bag – Remove And Install (40 698 0)

Remove

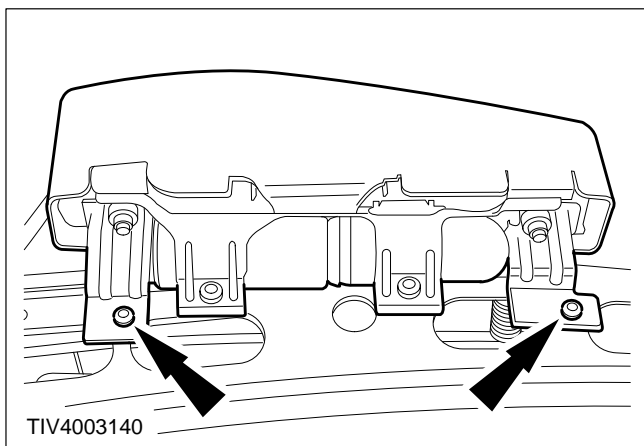
⚠ WARNING: Wait at least one minute after disconnecting the battery negative lead before disconnecting the electronic air bag control module multiplugs. Failure to follow recommended procedure may impair the side air bag deployment and may cause personal injury.

⚠ CAUTION: Do not proceed with this procedure unless new Hog Rings and side air bag retaining rivets are available. DO NOT use non Ford service components. Failure to follow recommended procedure may impair the side air bag deployment and may cause personal injury.

1. Remove the seat backrest, cover and pad assembly. (Refer to Operation Number 40 106 0).

2. Detach the side air bag module.

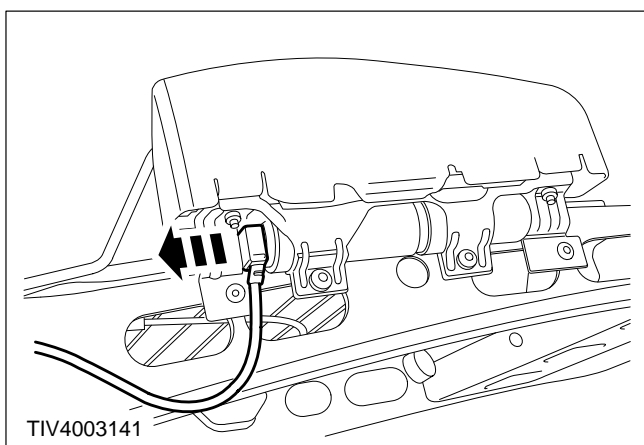
Drill out the retaining rivet.

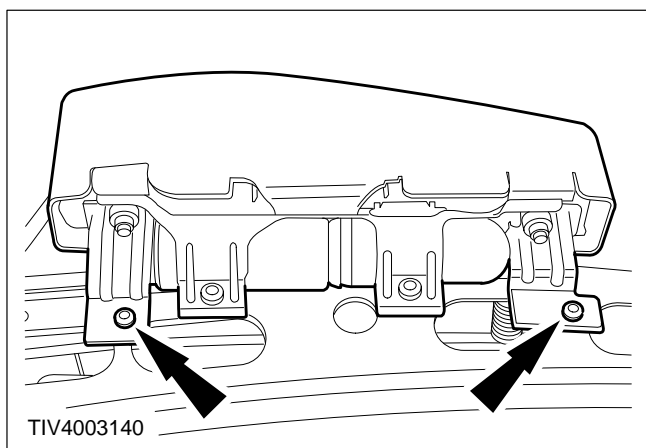


3. Remove the side air bag multiplug.

1 Remove the retaining clip.

2 Disconnect the multiplug.





Install

⚠ WARNING: Make sure that no discarded rivets are caught inside or on the seat cover before assembly.

⚠ CAUTION: DO NOT re-use hog rings or retaining rivets. Use only NEW manufacturer supplied components. Failure to follow recommended procedures may impair air bad deployment and may cause personal injury.

NOTE: The side air bag modules are handed for left and right-hand seats. The side air bag module multiplug must face the seat base when installed.

4. To Install, reverse the removal procedure.