

Seat Assembly – Front Bucket (Low Series) – Remove and Install (40 100 0)

Remove

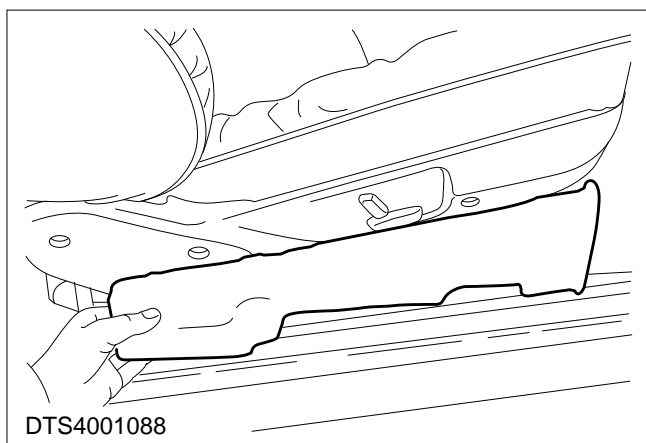
⚠ WARNING: If the front seat is fitted with a pyrotechnic pretensioner, wait 2 minutes after disconnecting battery before disconnecting the multiplug(s).

⚠ CAUTION: Disconnect the battery negative lead.

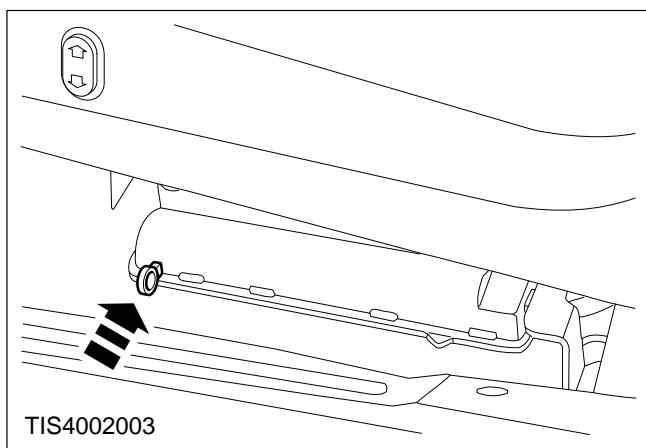
1. Remove the outer runner trim.

Unclip to remove.

2. Adjust the seat fully forwards.

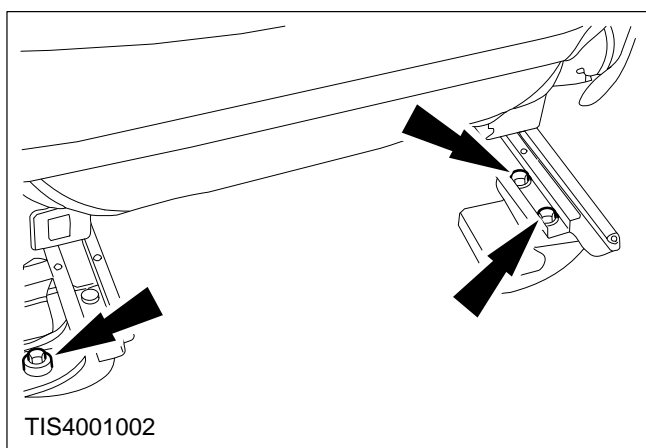


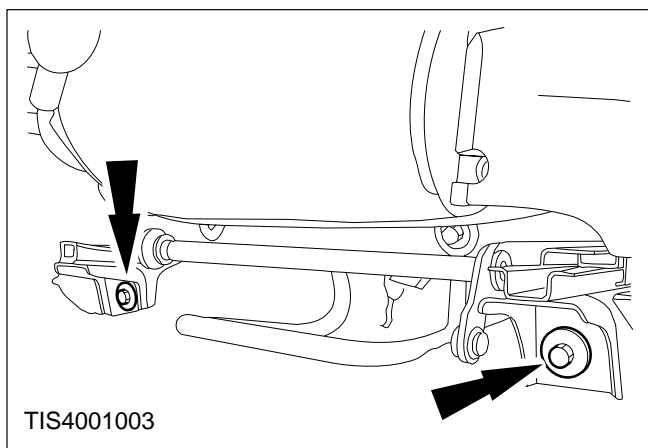
3. If fitted, disable the mechanical seat belt stalk pretensioner using a transit clip.



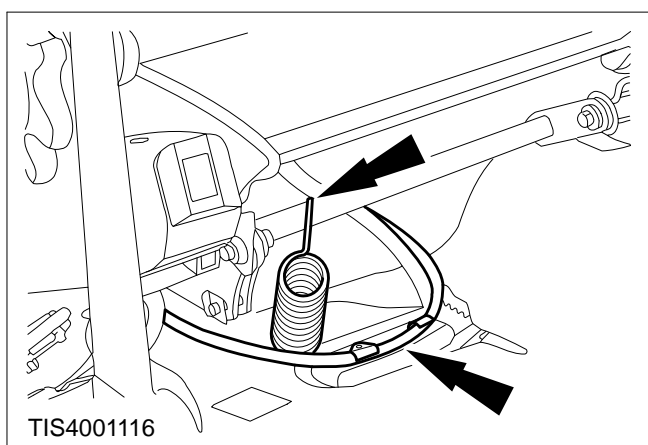
4. Remove the rear securing bolts.

5. Adjust the seat fully rearwards.



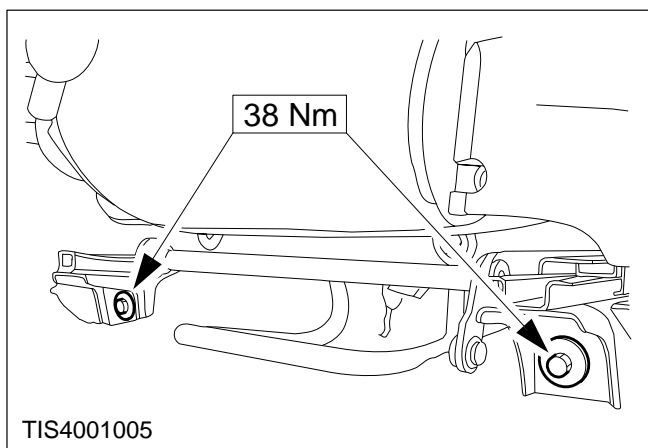


6. Remove the front securing bolts.



7. Tip the seat forwards and detach the adjust spring and belt pretensioner cable.

8. Disconnect the multiplugs and remove the seat.



Install

9. Refit the components in reverse order.

