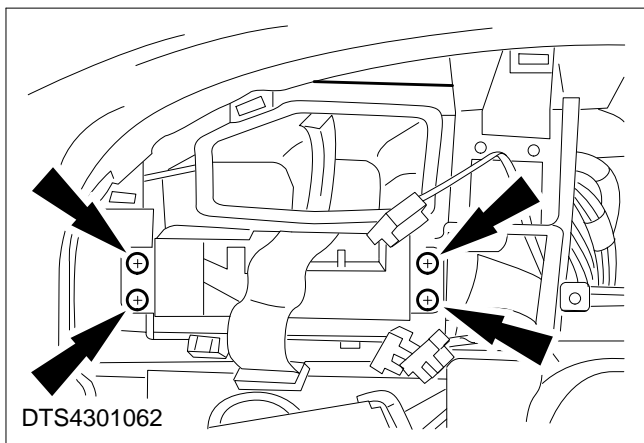


Crash Padding – Facia – Remove And Install ('95½ MY Onwards) (43 644 0)

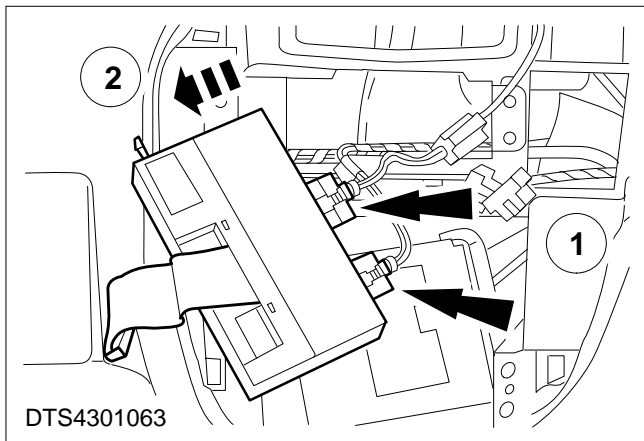
Remove

1. Remove the instrument panel facia (refer to Operation Number 33 213 0).
2. Remove the passenger air bag (refer to Operation Number 40 701 0) (when fitted).
3. Remove the centre console (refer to Operation Number 43 814 0).
4. Detach the heater control unit (four screws).



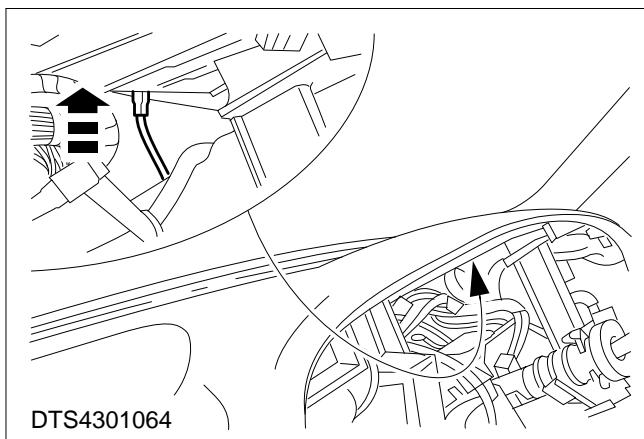
5. Remove the heater control unit.

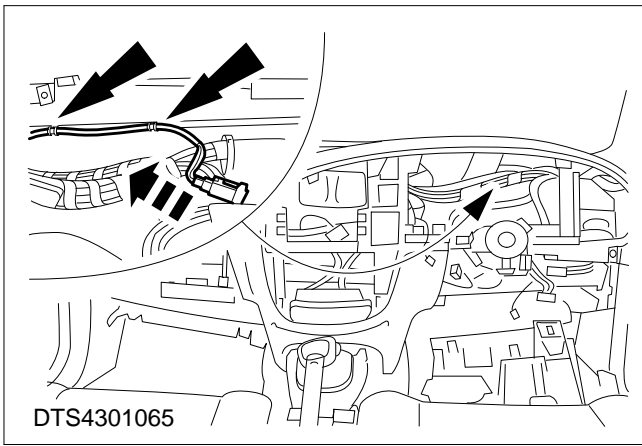
- 1 Detach the two multiplugs.
- 2 Remove the heater control unit.



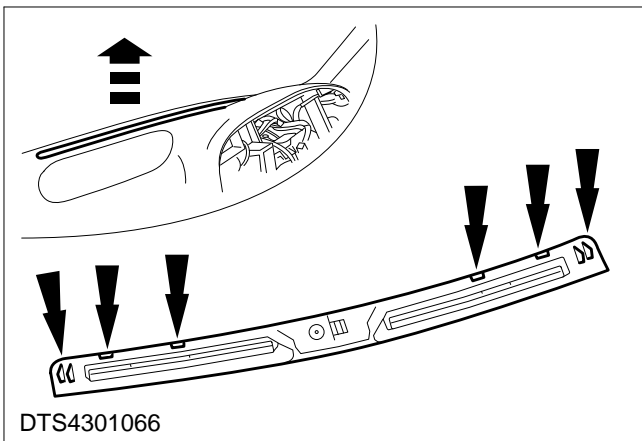
6. Remove the remote door locking receiver.

From beneath the crash padding/facia, push out the receiver and disconnect the multiplug.

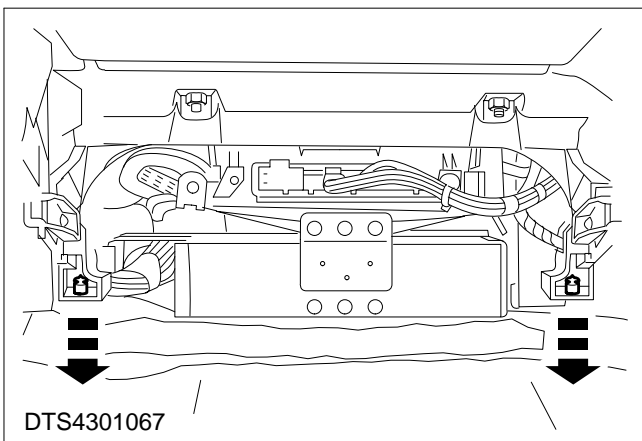




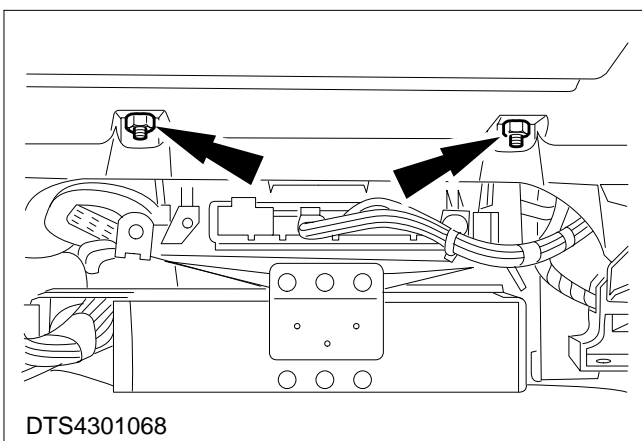
7. Detach the alarm indicator wiring loom (one multiplug and two clips).



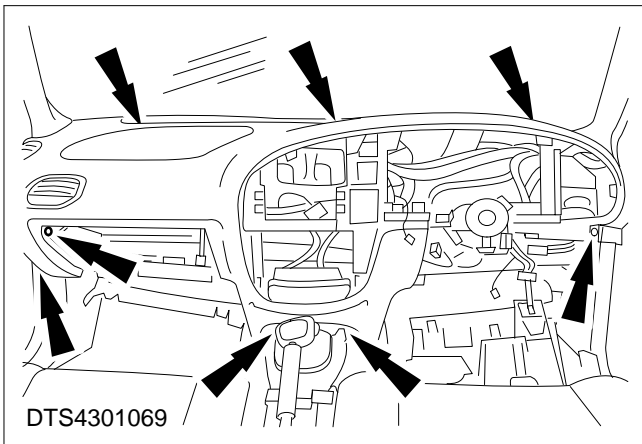
8. Prise off the front windscreen heater vent panel (six clips).
9. Remove the glove compartment.



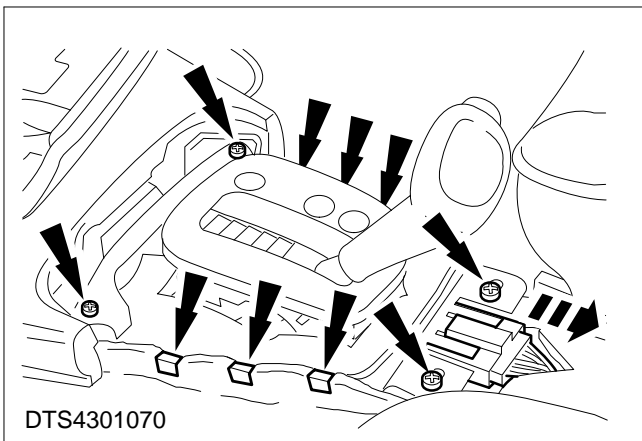
10. Release the underfelt (two clips).



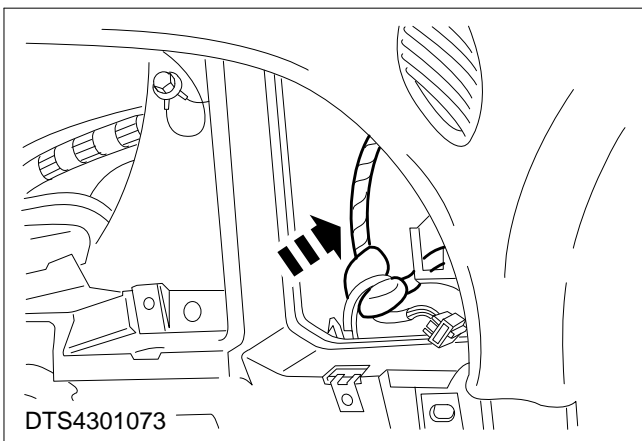
11. Remove the two support bracket nuts.



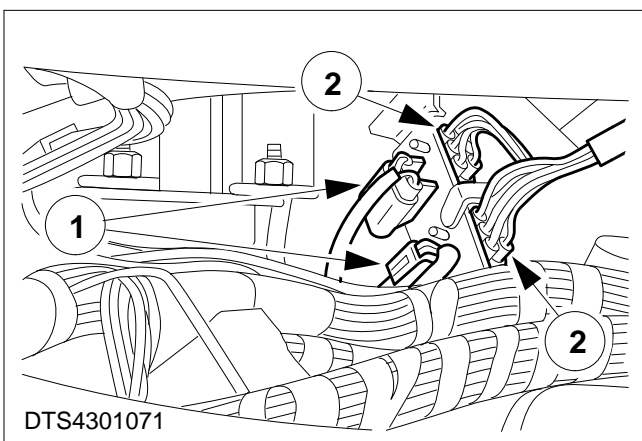
12. Release the crash padding/facia (eight fixings).



13. Remove the centre console mounting bracket (six floor covering clips, four screws and one multiplug).

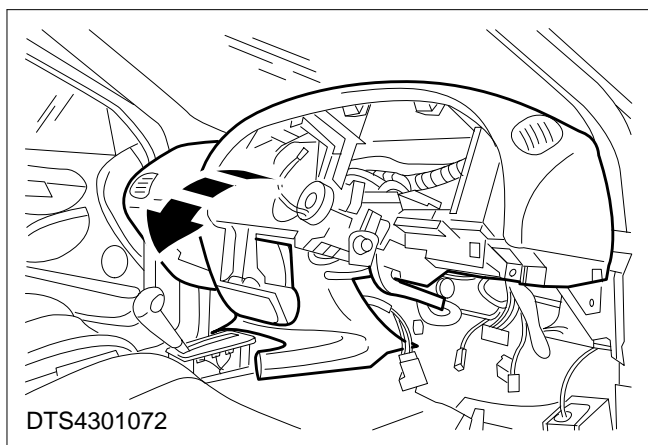


14. Detach the wiring loom from the clip at the right-hand side of the crash padding/facia.

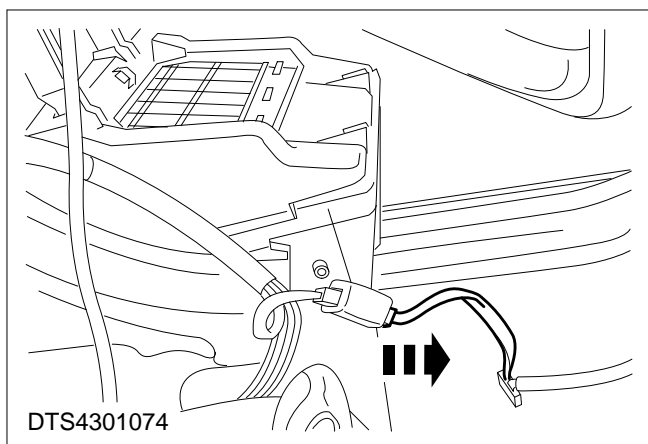


15. Detach the four wiring looms from the multiplug mounting plate.

- 1 Disconnect the two multiplugs.
- 2 Prise the two multiplugs off the mounting plate.



16. Ease the crash padding/face forwards.



17. Disconnect the radio amplifier loom.

18. Remove the crash padding/face.

Install

19. Refit the components in reverse order.