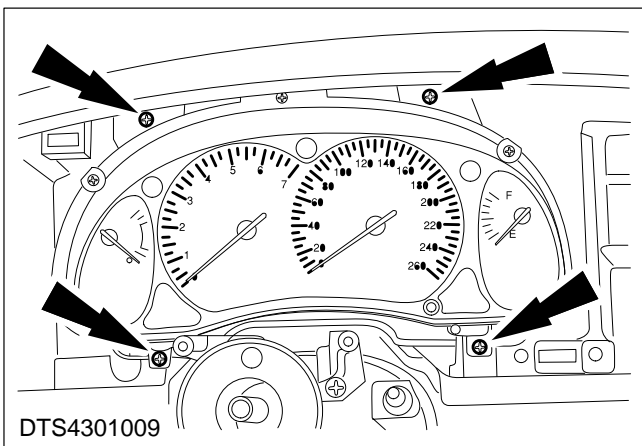
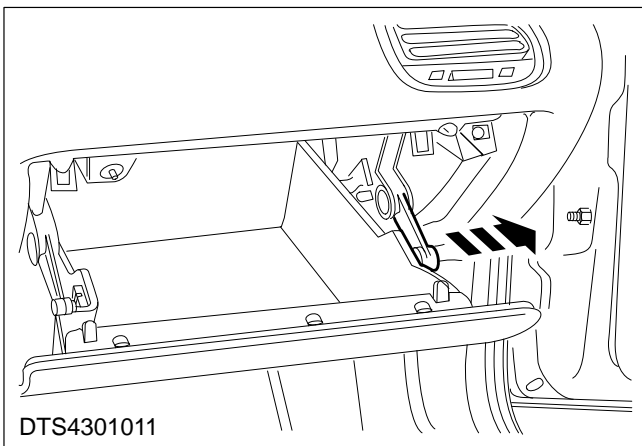


Crash Padding – Facia – Remove and Install (Up To '95½ MY) (43 644 0)



Remove

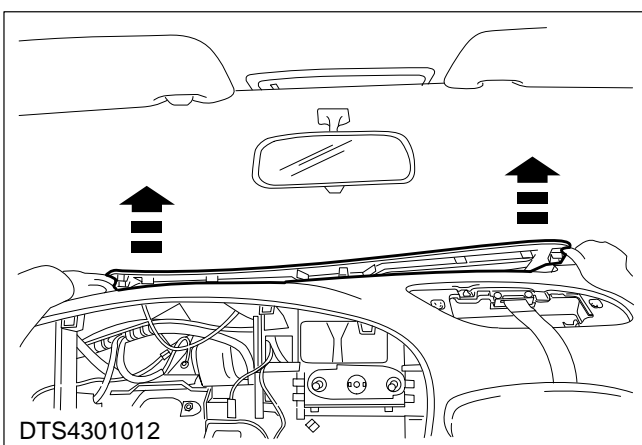
1. Remove the instrument cluster (refer to Operation Number 33 214 0).
2. Remove the passenger side air bag (refer to Operation Number 40 701 0).
3. Detach the heater/vent panel plate.



4. Remove the glove compartment lid.

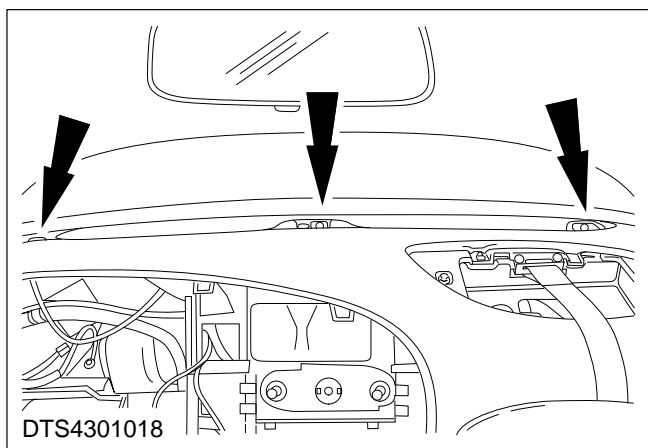
Carefully prise the bracket to one side to release.

5. Remove the centre console (refer to Operation Number 43 814 0).

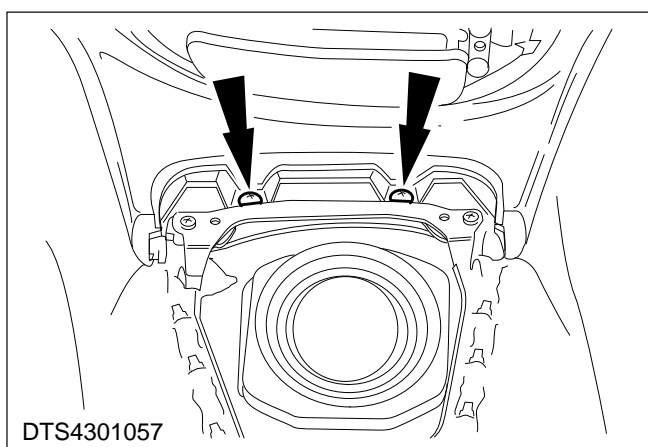


6. Remove the windscreen vent panel.

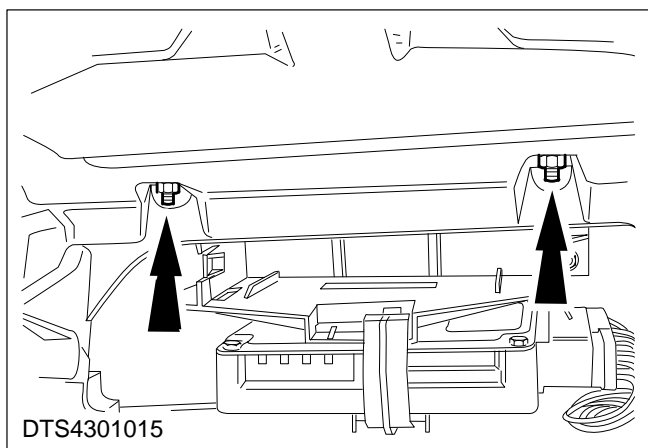
Disconnect the alarm LED multiplug.



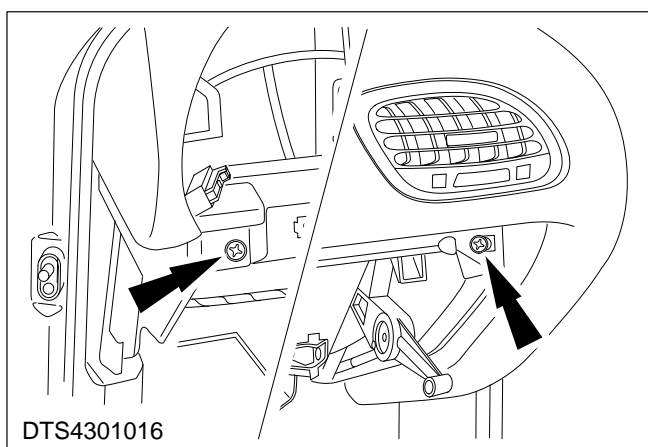
7. Remove the crash pad upper supporting screws.



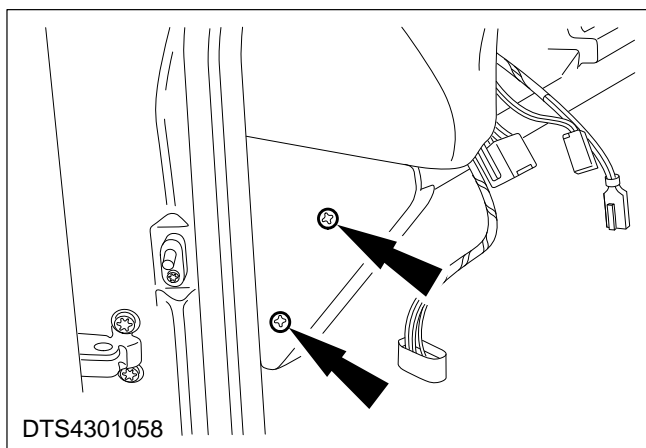
8. Remove two screws in front of the gear lever.



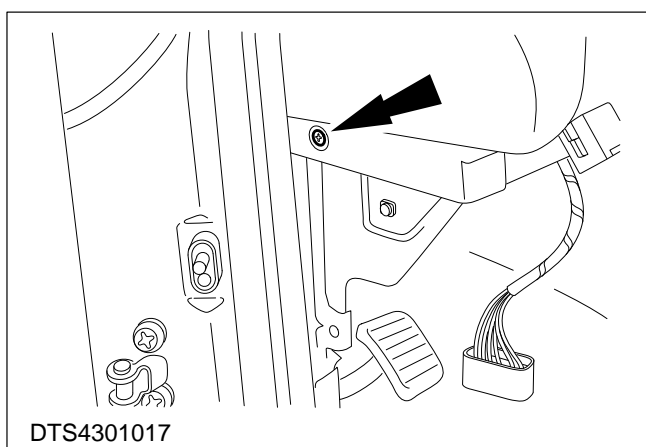
9. Remove the passenger side lower fixing screws.



10. Remove the front facing fixing screws.

**11. Remove the end fixing bezels.**

One on each side.

**12. Remove the crash pad; one screw on either side.**

Disconnect all remaining multiplugs and cut relevant cable ties.

Install

13. Refit components in reverse order.