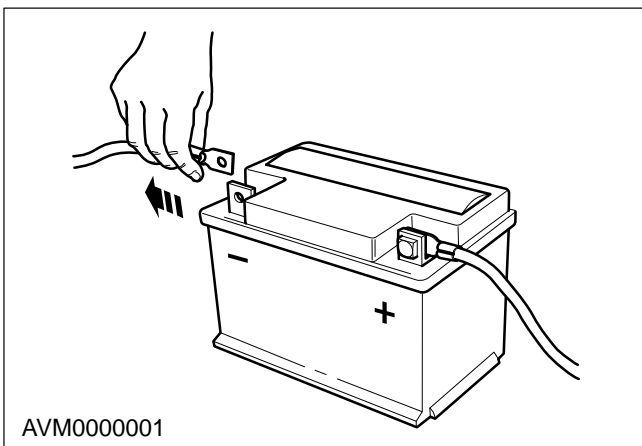
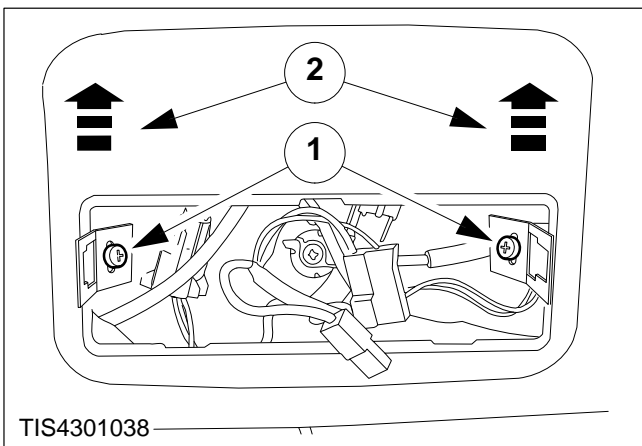


Headlining – Remove and Install (43 612 0)



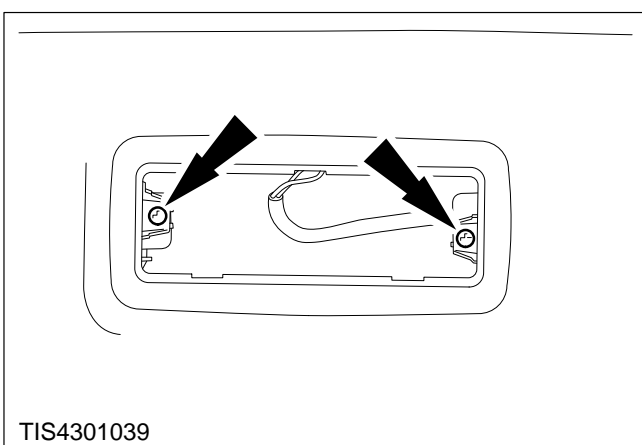
Remove

1. Disconnect the battery negative lead.
2. Remove the front and rear interior lamps (refer to Operation Number 33 112 0).
3. Remove the A, B, and C – pillar trims (refer to Operation Number 43 616 0, 43 617 0, 43 618 0).

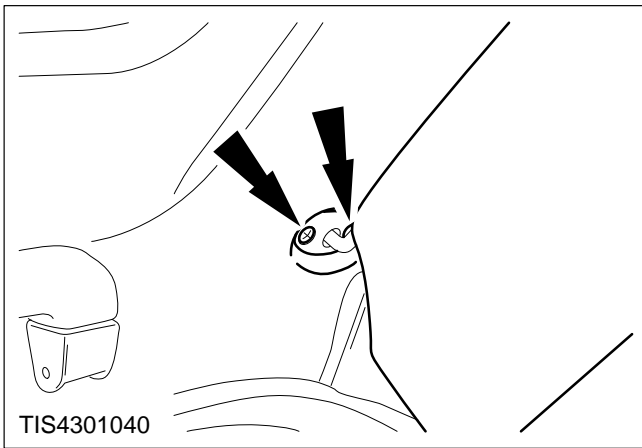


Overhead Console – Remove (43 813 0)

4. Remove the overhead console.
 - 1 Remove the screws.
 - 2 Slide the console rearwards to disengage the clip.
 - Disconnect the switch multiplugs.



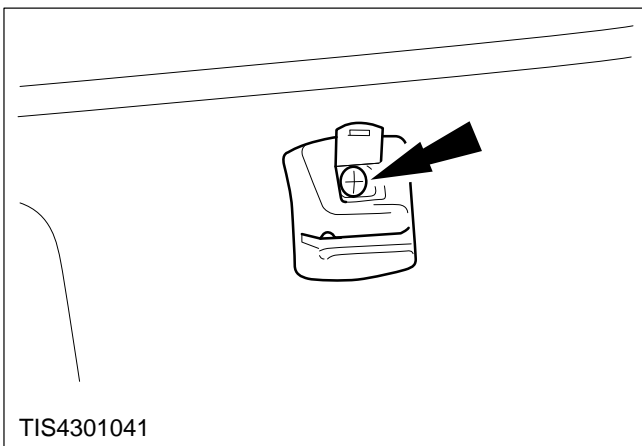
5. Remove the rear interior lamp bezel.



Sun Visor – Remove (43 633 0)

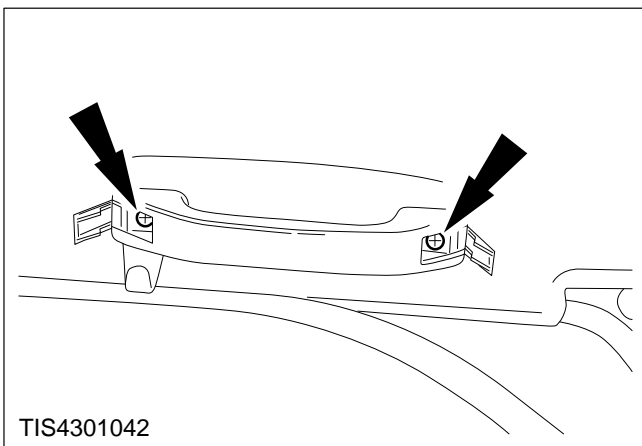
6. Remove the sun visors.

Disconnect the electrical terminal where fitted.



7. Remove sun visor inner bracket.

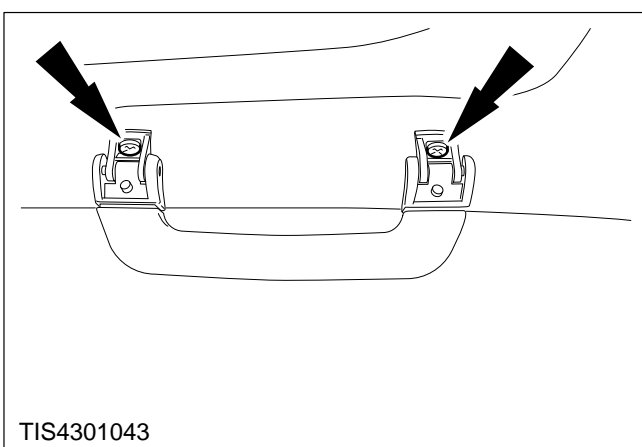
Disconnect the electrical terminal where fitted.



Handle – Passenger Assist – Remove (43 655 0)

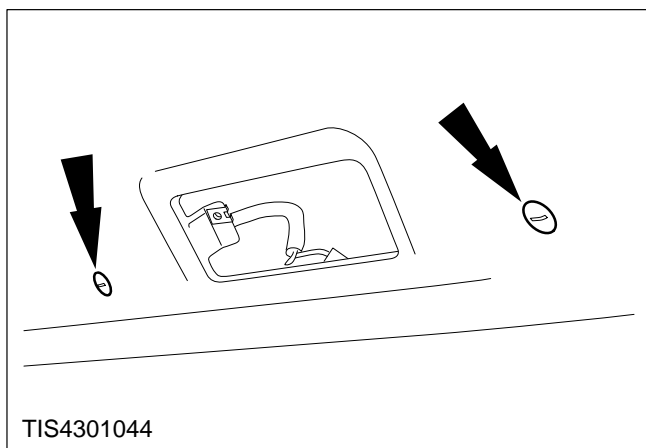
8. Remove the rear passenger assist handles.

Carefully prise open the screw covers.



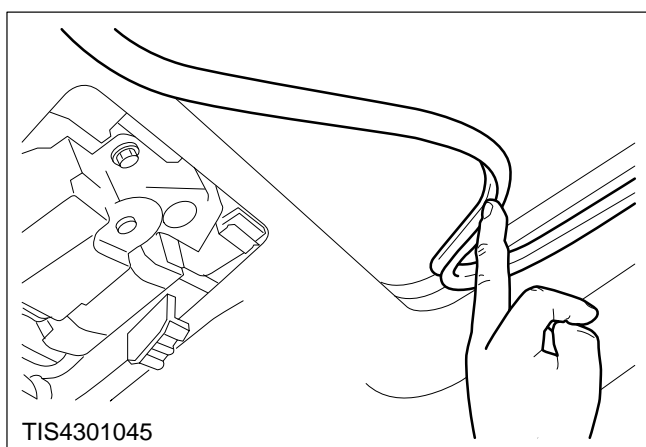
9. Remove the front passenger assist handle.

Pull the handle down to reveal the screws.



10. Remove the rear securing clips.

Turn through 90° to remove.



11. Remove the sun roof trim (if fitted).

NOTE: The headlining should be removed from the vehicle via the front door with both front seats fully reclined.

12. Locally detach the door weatherseals and remove the headlining.

Install

13. Refit the components in reverse order.

Overhead Console – Install (43 813 0)

Sun Visor – Install (43 633 0)

Handle – Passenger Assist – Install
(43 655 0)