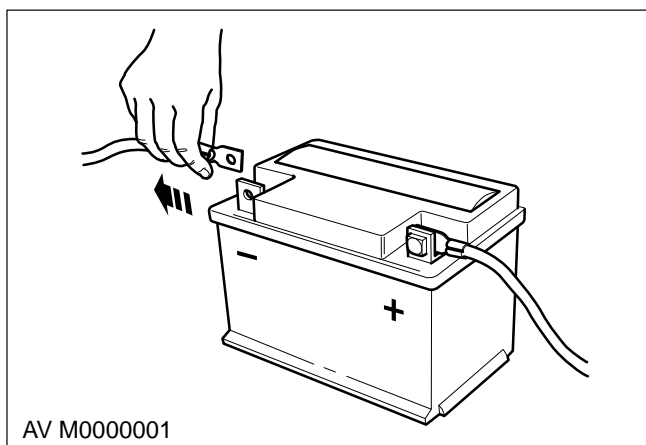
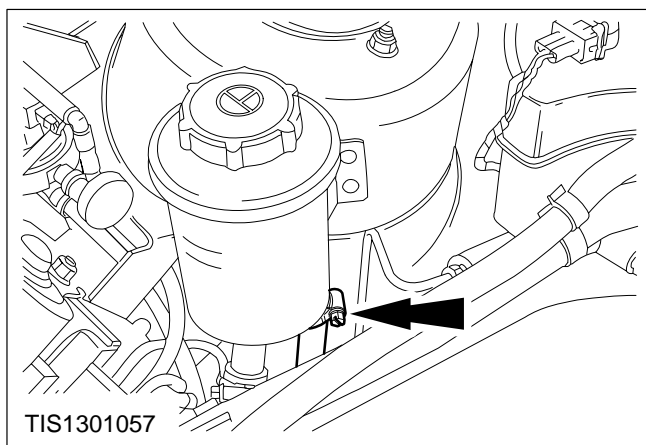


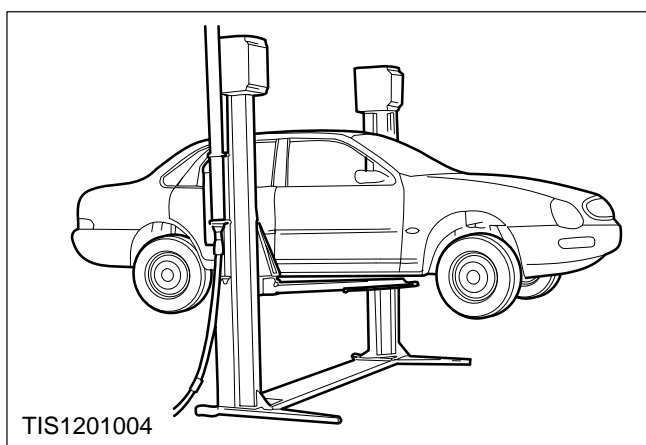
**Fluid Cooler – Power Steering – Remove and Install (13 444 0)****Remove**

- 1. Disconnect the battery negative lead.**

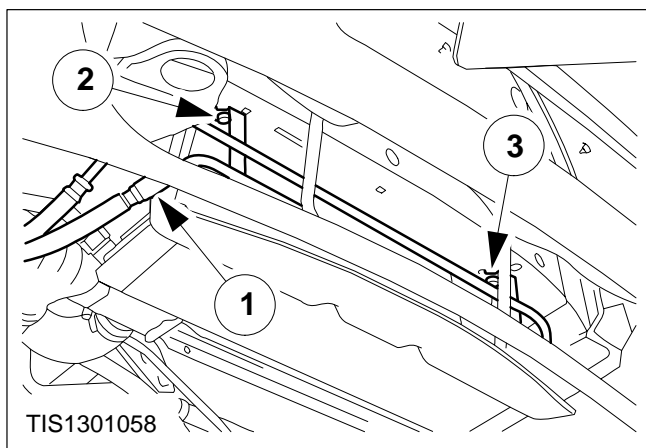


- 2. Disconnect the fluid cooler hose from the reservoir.**

Allow the fluid to drain into a suitable container.



- 3. Raise the vehicle.**



**⚠ CAUTION:** After removing the fluid cooler refit the fluid cooler retaining nut and bolt to hold the oil cooler in place.

**4. Remove the fluid cooler.**

- 1 Disconnect the fluid cooler hose.
- 2 Remove the fluid cooler retaining bolt.
- 3 Remove the fluid cooler retaining nut.

**Install**

**5. Refit the components in the reverse order.**

6. **Bleed the power steering system (refer to Operation Number 13 416 1).**