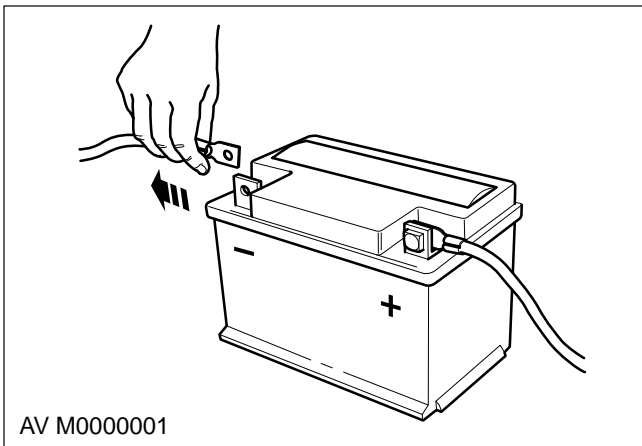
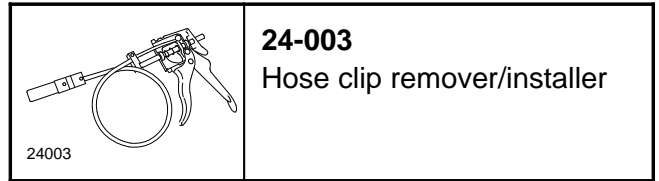
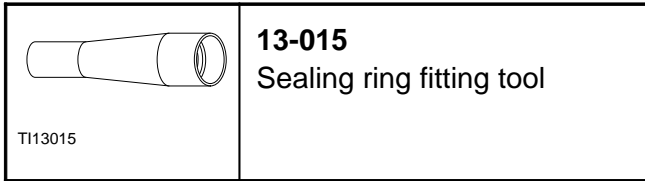


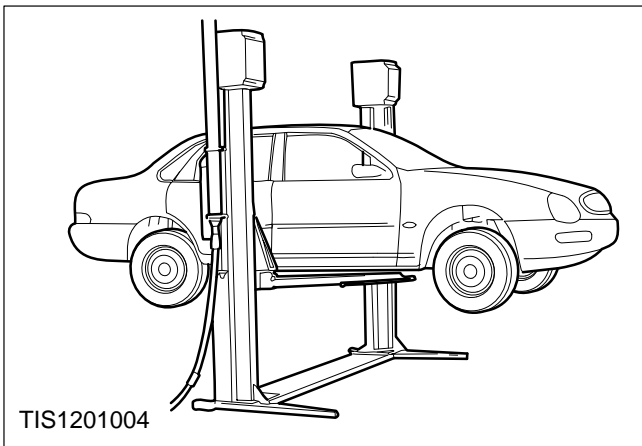
Fluid Hoses – Power Steering – Replace (13 442 0)

Special Tools



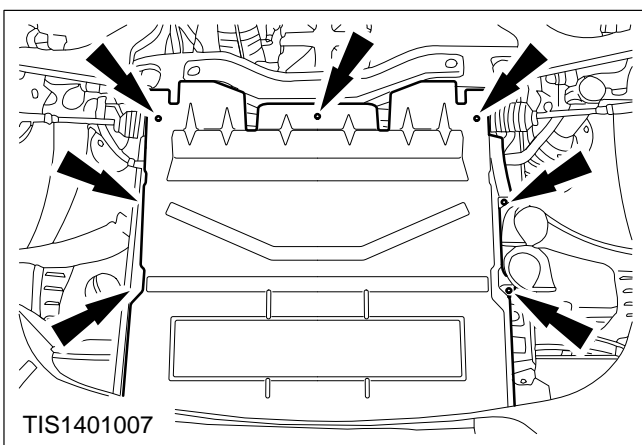
Remove

- 1. Disconnect the battery negative lead.**



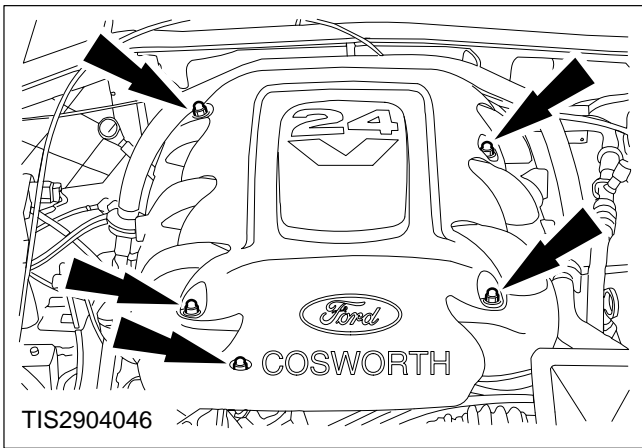
DOHC and diesel variants only.

- 2. Raise the vehicle.**



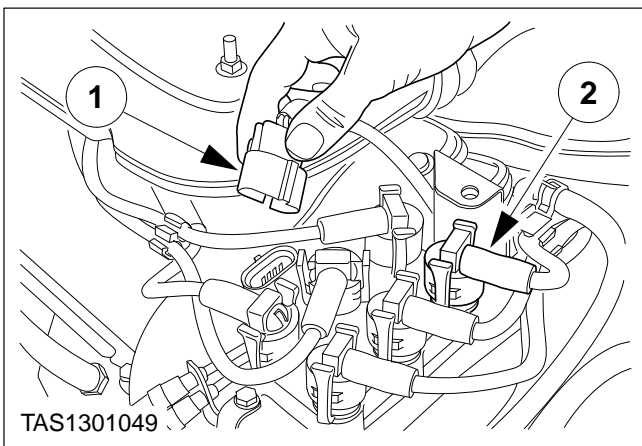
DOHC variants only.

- 3. Remove the lower engine shield.**



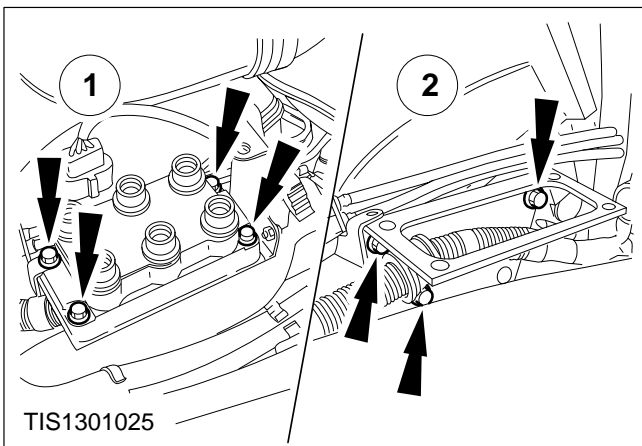
V6 variants only.

4. Remove the engine cover.



5. Disconnect the coil multiplug and high tension leads.

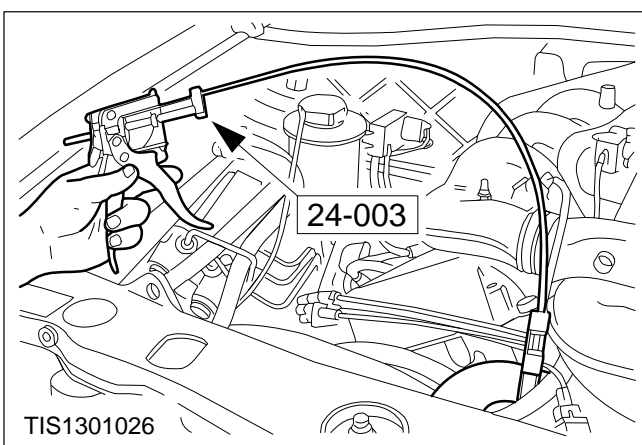
- 1 Disconnect the coil multiplug.
- 2 Disconnect the high tension leads.



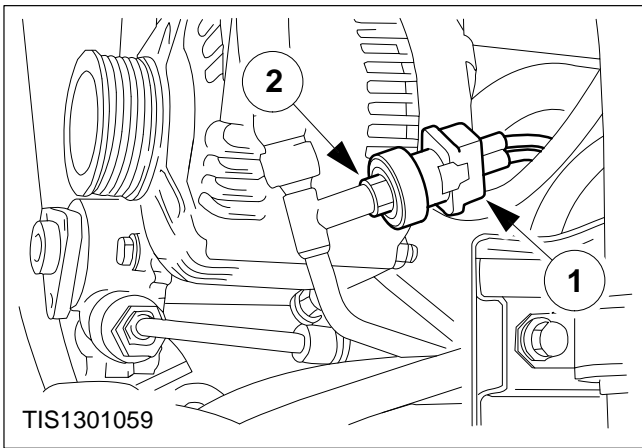
6. Remove the coil assembly.

- 1 Remove the coil.
- 2 Remove the bracket.

7. Drain the cooling system (refer to Operation Number 24 122 0).



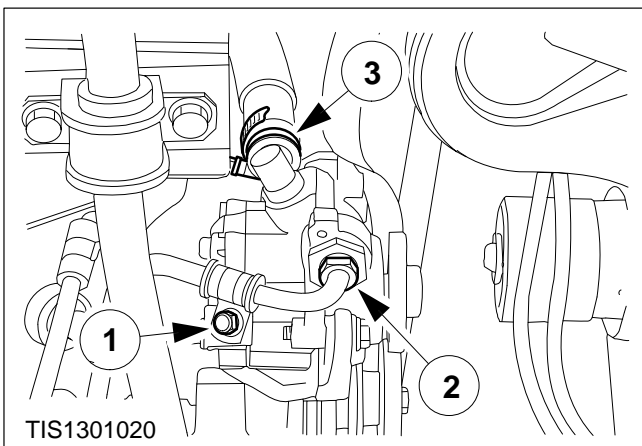
8. Remove the cooling system top hose.



All vehicles

9. Where fitted, remove the pressure switch.

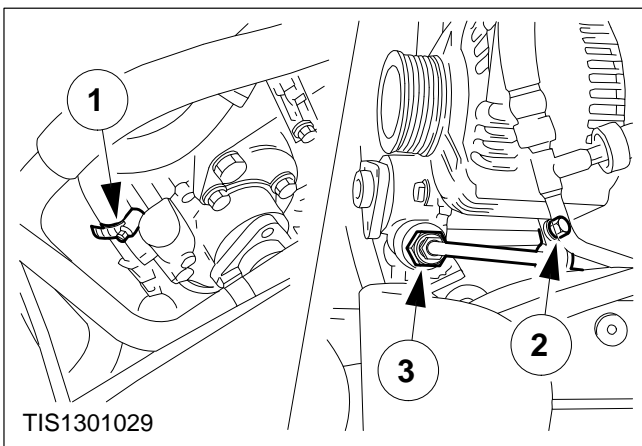
- 1 Disconnect the pressure switch multiplug.
- 2 Remove the pressure switch.



DOHC variants only.

10. Disconnect and remove the pipe and hose from the power steering pump.

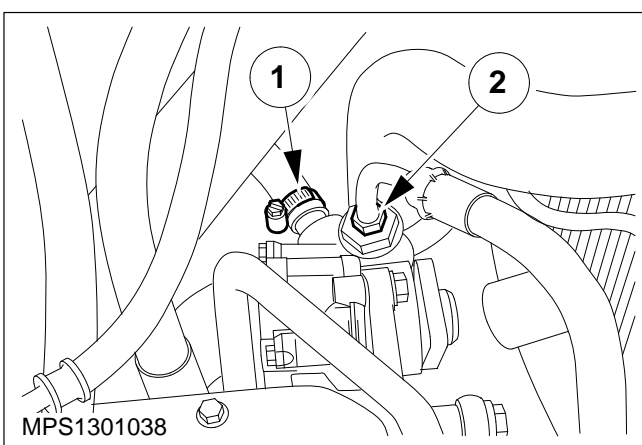
- 1 Remove the pipe clamp bolt.
 - 2 Disconnect the power steering pipe.
 - 3 Disconnect the power steering hose.
- Allow the fluid to drain into a suitable container.



V6 variants only.

11. Disconnect and remove the pipe and hose from the power steering pump.

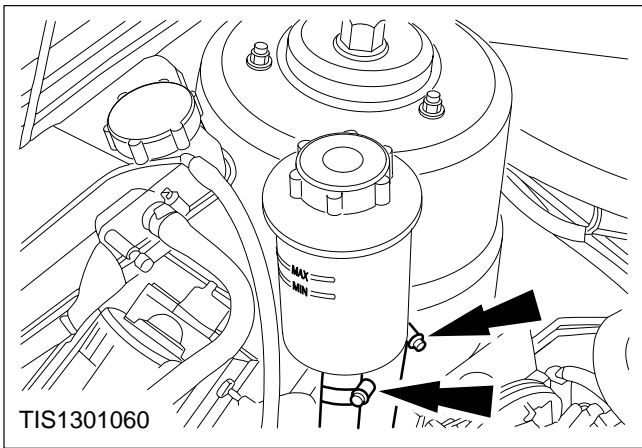
- 1 Disconnect the power steering hose.
 - 2 Remove the pipe clamp bolt.
 - 3 Disconnect the power steering pipe.
- Allow the fluid to drain into a suitable container.



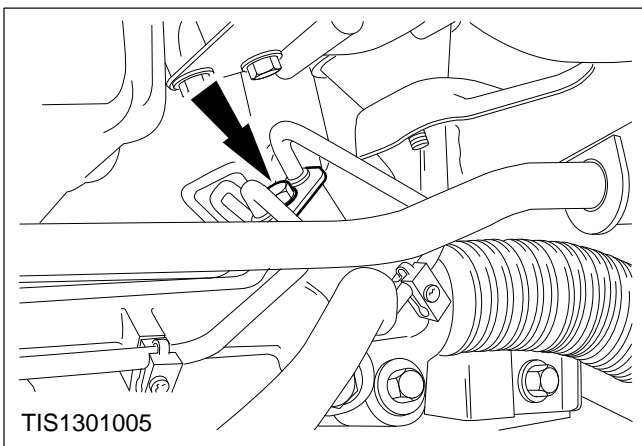
VM diesel variants only.

12. Disconnect and remove the pipe and hose from the power steering pump.

- 1 Disconnect the power steering hose.
 - 2 Disconnect the power steering pipe.
- Allow the fluid to drain into a suitable container.

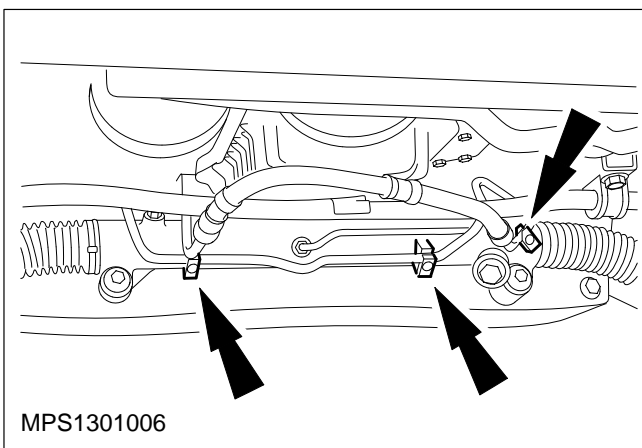


13. Disconnect the fluid reservoir hoses.

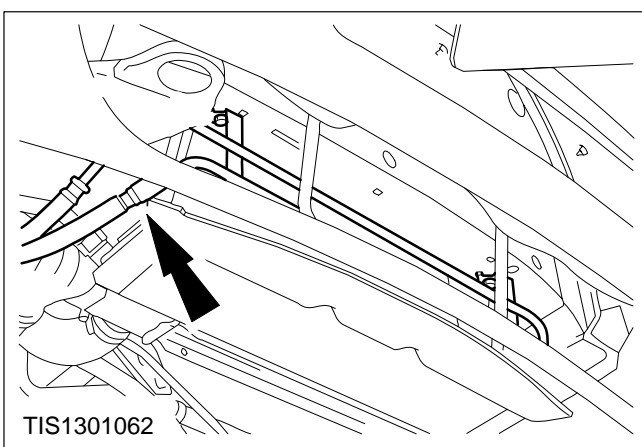


14. Remove the power steering pipe clamp plate bolt.

- Allow the fluid to drain into a suitable container.
- Blank off the pipe connections to prevent any dirt ingress.

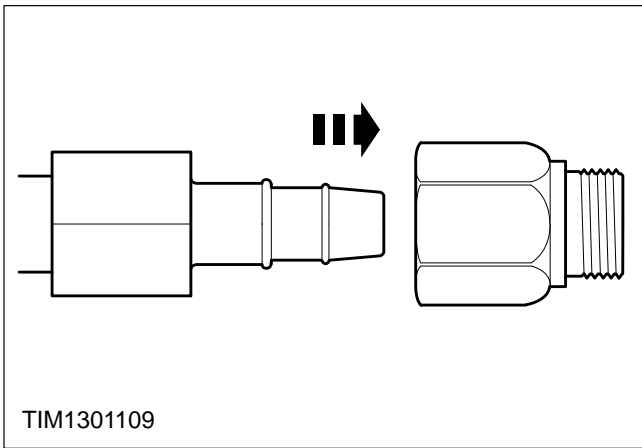


15. Disconnect the power steering pipes from the steering gear.



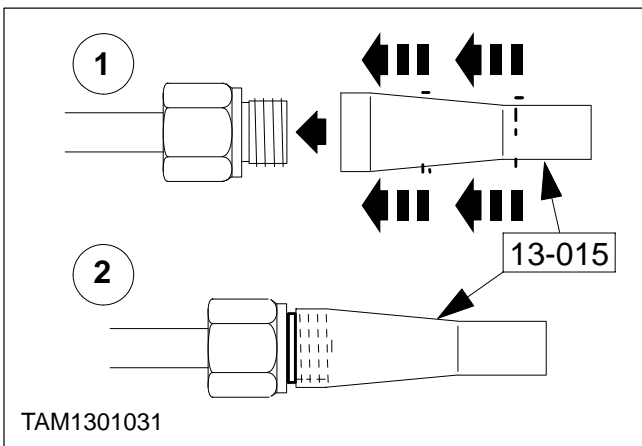
16. Disconnect the fluid cooler pipe.

17. Lift out the hoses.



Install

18. If the fluid pipes are being renewed push the new pipes into the new unions.

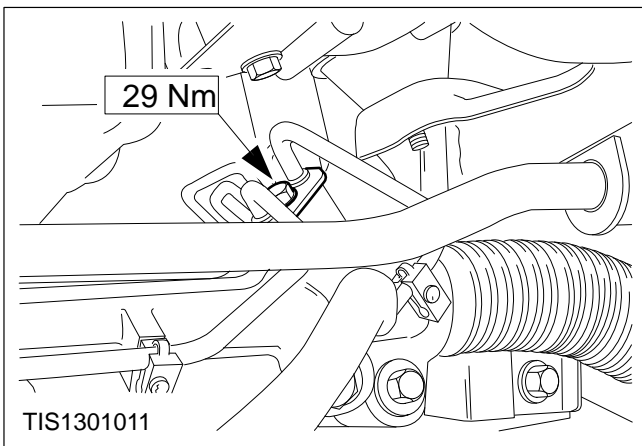


19. Where necessary, replace the union sealing rings.

1 Push the sealing ring onto the tool.

2 Locate the tool on the union and push on the sealing ring.

20. Locate the hoses.

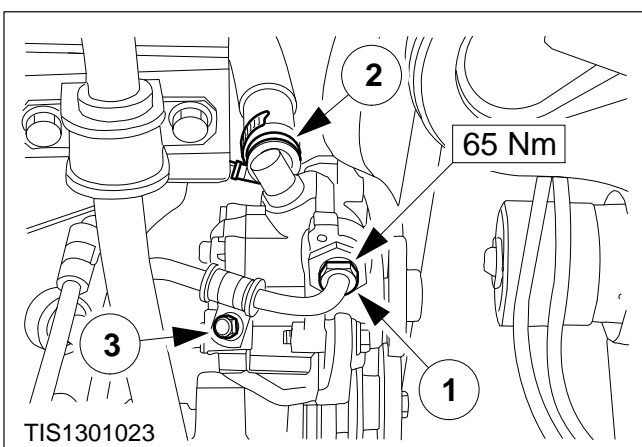


21. Refit the power steering pipe clamp plate bolt.

22. Reconnect the power steering pipes to the steering gear.

23. Reconnect the fluid reservoir hoses.

24. Reconnect the fluid cooler pipe.



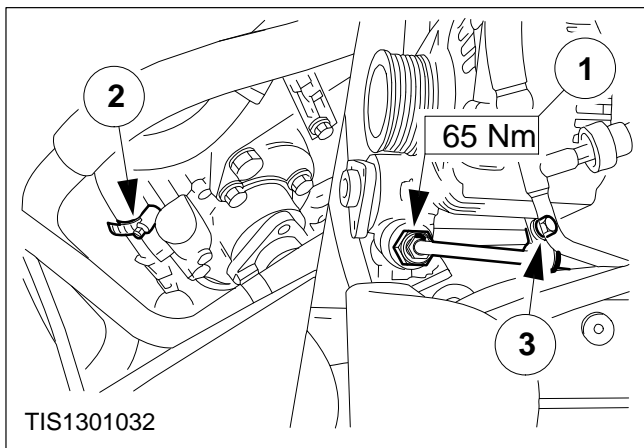
DOHC variants only.

25. Reconnect the pipe and hose to the power steering pump.

1 Reconnect the power steering pipe.

2 Reconnect the power steering hose.

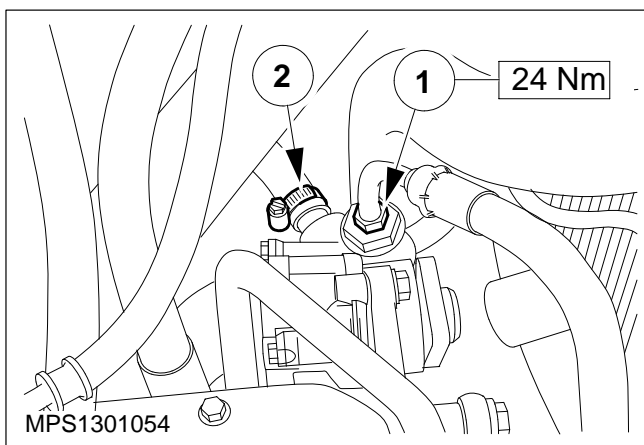
3 Refit the pipe clamp bolt.



V6 variants only.

26. Reconnect the pipe and hose to the power steering pump.

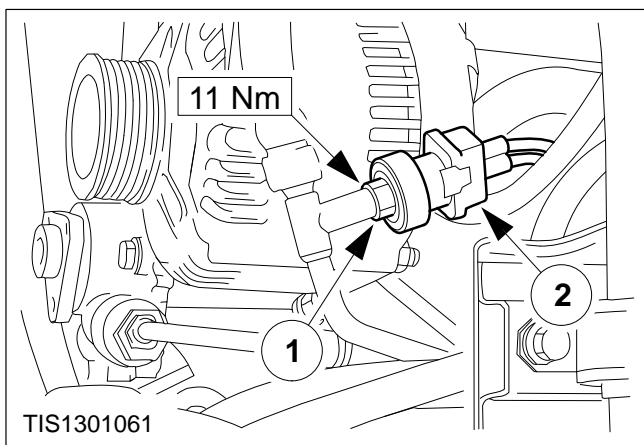
- 1 Reconnect the power steering pipe.
- 2 Reconnect the power steering hose.
- 3 Refit the pipe clamp bolt.



VM diesel variants only.

27. Reconnect the pipe and hose to the power steering pump.

- 1 Reconnect the power steering pipe.
- 2 Reconnect the power steering hose.



28. Where fitted, refit the pressure switch.

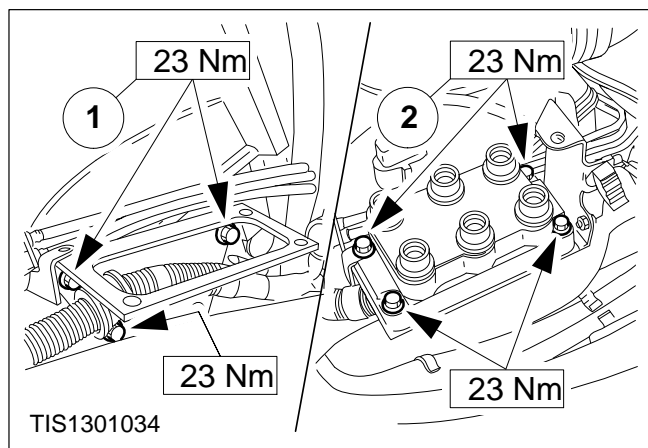
- 1 Refit the pressure switch.
- 2 Reconnect the pressure switch multiplug.

DOHC variants only

29. Refit the lower engine shield.

DOHC and VM diesel variants only

30. Lower the vehicle.



V6 variants only.

31. Refit the cooling system top hose.

32. Refit the coil assembly.

1 Refit the bracket.

2 Refit the coil.

33. Reconnect the coil multiplug and high tension leads.

34. Refill the cooling system (refer to Operation Number 24 122 0).

35. Reconnect the battery negative lead.

36. Bleed the power steering system (refer to Operation Number 13 416 1).

37. Refit the engine cover.