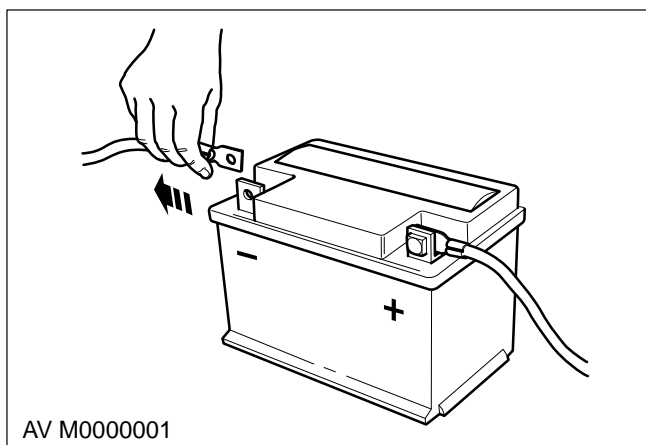
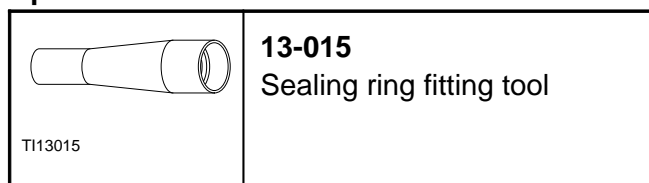
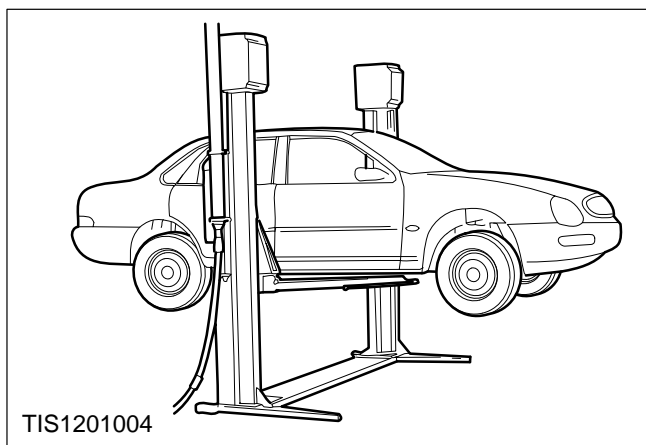
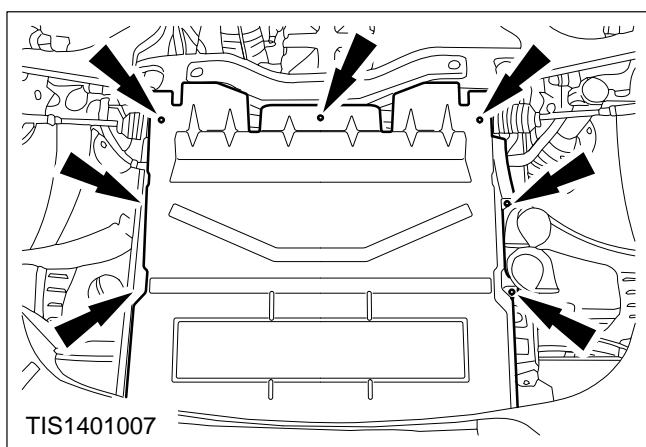


**Pump Assembly – Power Steering – Remove and Install (DOHC) (13 434 0)****Special Tools****Remove**

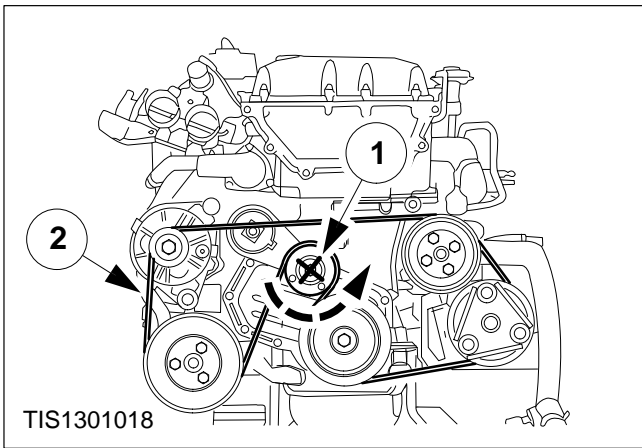
1. **Disconnect the battery negative lead.**



2. **Raise the vehicle.**



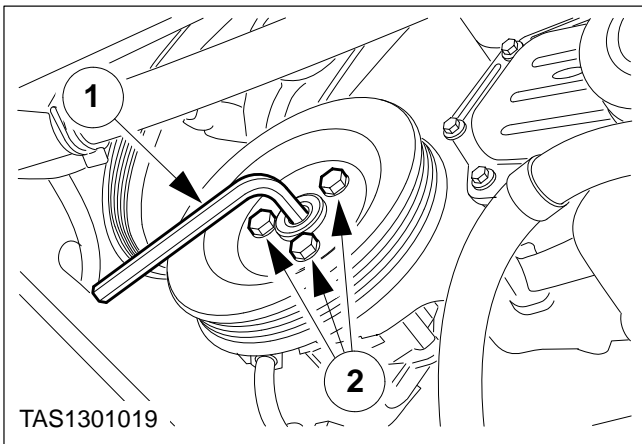
3. **Remove the lower engine shield.**



#### Belt – Power Steering – Pump Drive – Remove (13 424 0)

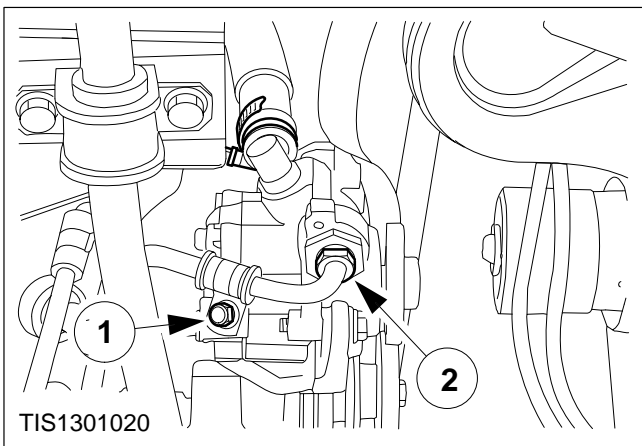
##### 4. Remove the drive belt.

- 1 Rotate the belt tensioner in a clockwise direction.
- 2 Remove the belt and release the belt tensioner.



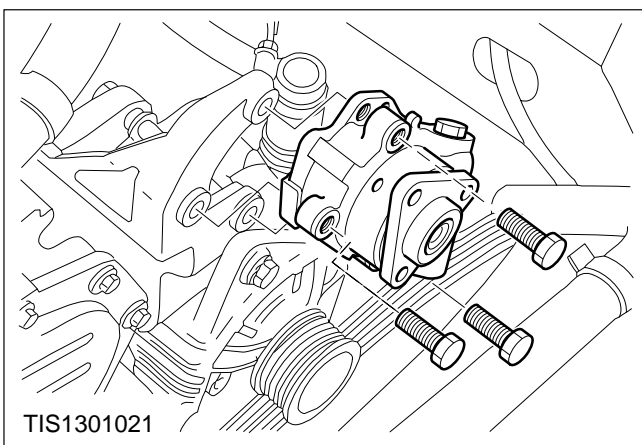
##### 5. Remove the pump pulley.

- 1 Hold the centre of the pulley with an Allen key.
- 2 Remove the three bolts.

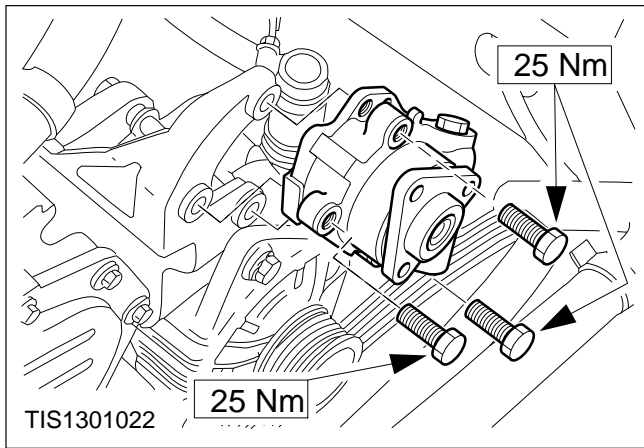


##### 6. Disconnect and remove the pipe and hose from the power steering pump.

- 1 Remove the pipe clamp bolt.
- 2 Disconnect the power steering pipe.
- 3 Disconnect the power steering hose.
  - Allow the fluid to drain into a suitable container.



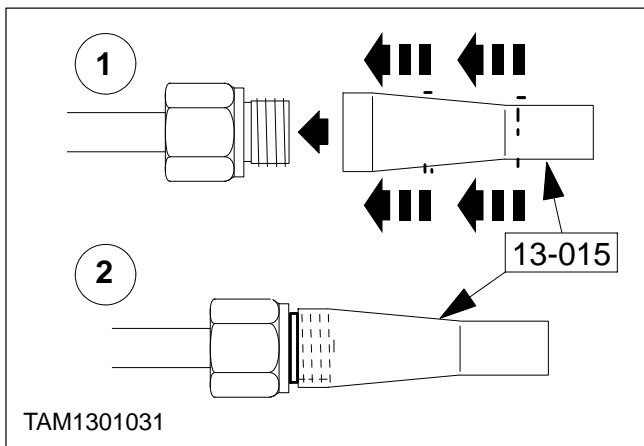
##### 7. Remove the power steering pump.



## Install

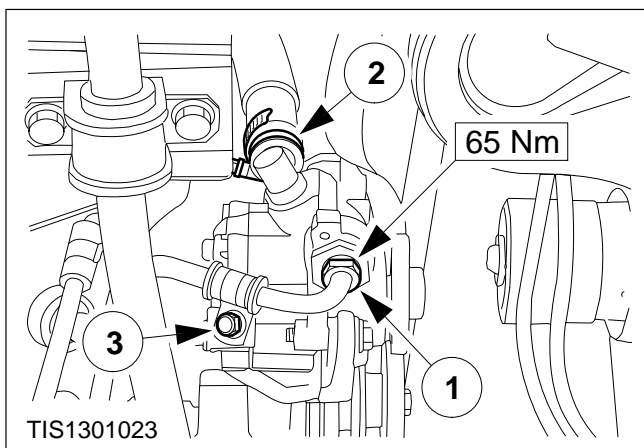
**NOTE:** If the power steering pump is being renewed the unions that are supplied fitted to the pump should be removed and discarded.

### 8. Refit the power steering pump.



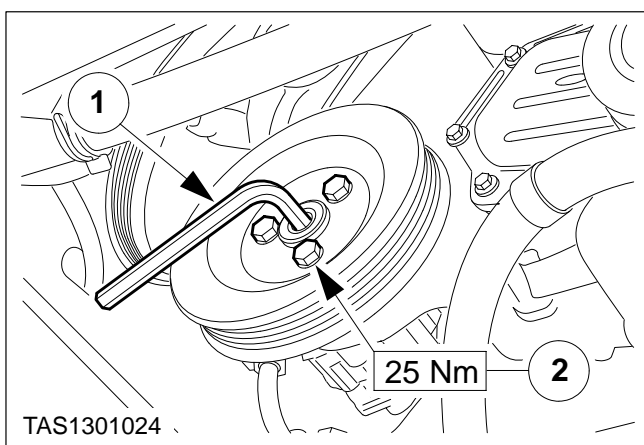
### 9. Replace the union sealing ring.

- 1 Push the sealing ring onto the tool.
- 2 Locate the tool on the union and push on the sealing ring



### 10. Reconnect the pipe and hose to the power steering pump.

- 1 Reconnect the power steering pipe.
- 2 Reconnect the power steering hose.
- 3 Refit the pipe clamp bolt.



### 11. Refit the pump pulley.

- 1 Refit the pulley and hold the centre of the pulley with an Allen key.
- 2 Refit the three bolts.

Belt – Power Steering – Pump Drive –  
Install (13 424 0)

**12. Refit the pump drive belt.**

**13. Refit the lower engine shield.**

**14. Lower the vehicle.**

**15. Reconnect the battery negative lead.**

**16. Bleed the power steering system (refer  
to Operation Number 13 416 1).**