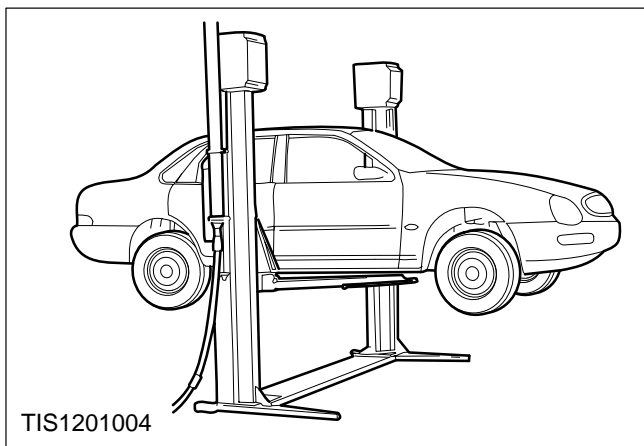
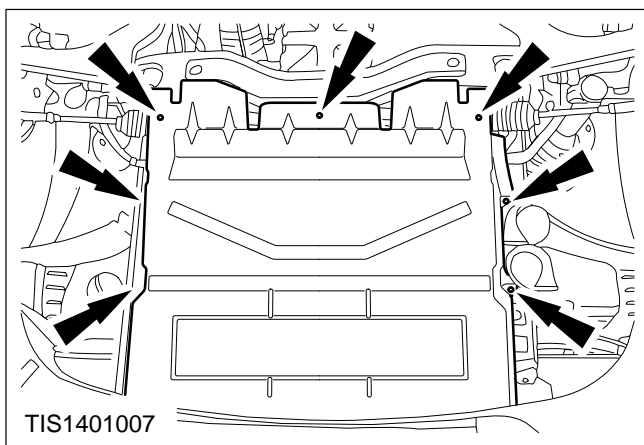
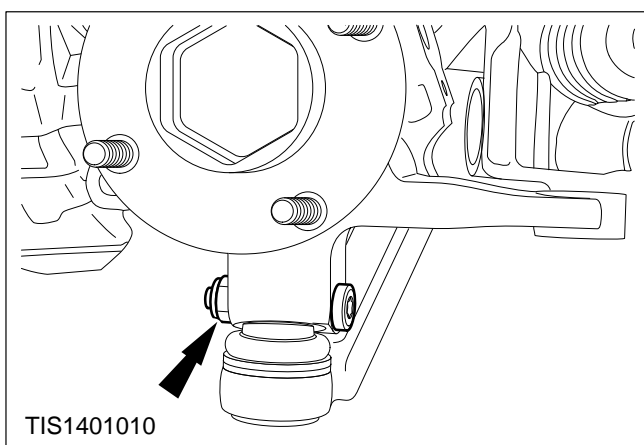


Arm Assembly – Lower – Right-hand Side – Remove And Install (14 707 0)**Remove**

- 1. Slacken the wheel nuts, raise the vehicle and remove the road wheel.**

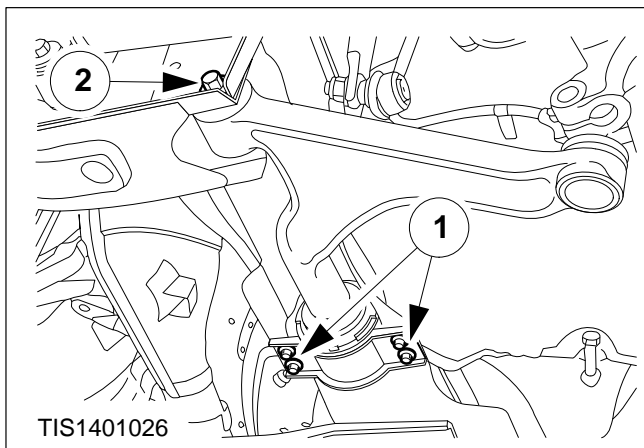


- 2. Remove the engine lower cover.**



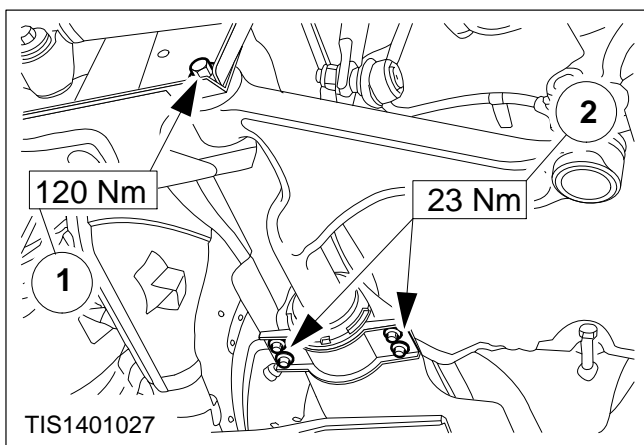
NOTE: When the lower arm is separated from the spindle carrier, the ball joint seal should be protected at all times by wrapping in a cloth.

- 3. Remove the lower arm ball joint pinch bolt and nut.**
- 4. Disconnect the lower arm from the spindle carrier.**



5. Remove the lower arm.

- 1 Remove the lower arm securing bracket.
- 2 Remove the lower arm pivot bolt.

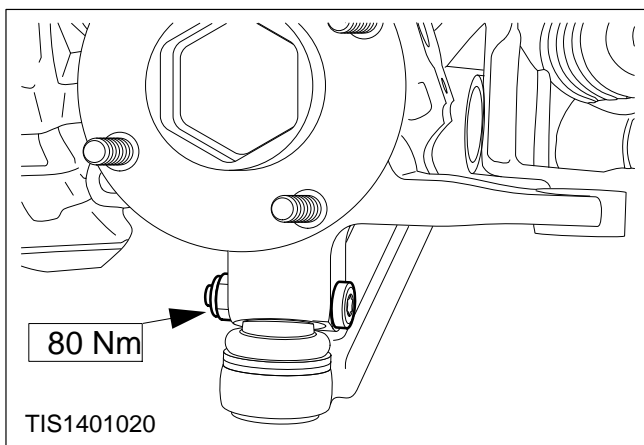


Install

NOTE: The lower arm retaining bolts should be tightened with the weight of the vehicle on its wheels.

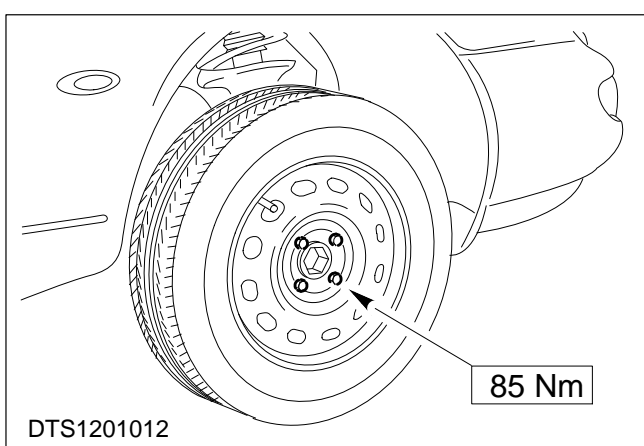
6. Refit the lower arm.

- 1 Refit the lower arm pivot bolt.
- 2 Refit the lower arm securing bracket.



7. Refit the lower arm ball joint to the spindle carrier.

8. Refit the engine lower cover.



9. Refit the front wheel and lower the vehicle.

10. Check the front wheel alignment as described in Operation Nos. 14 111 0 and 14 111 3.