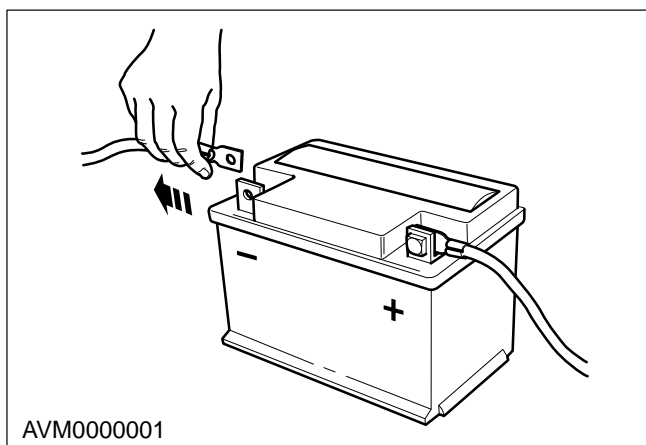
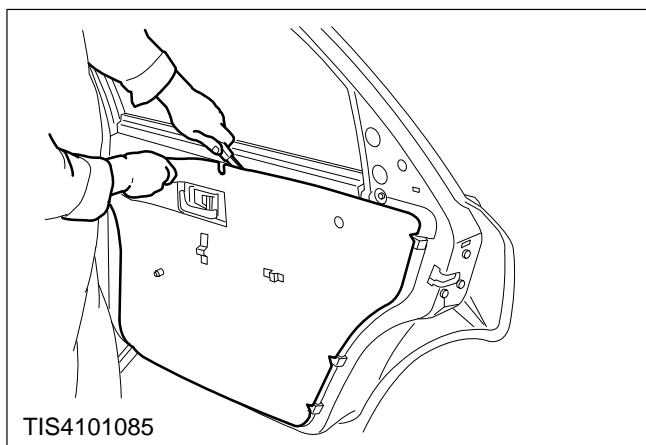


## Glass – Door Window – Rear – Remove and Install (42 315 0)



### Remove

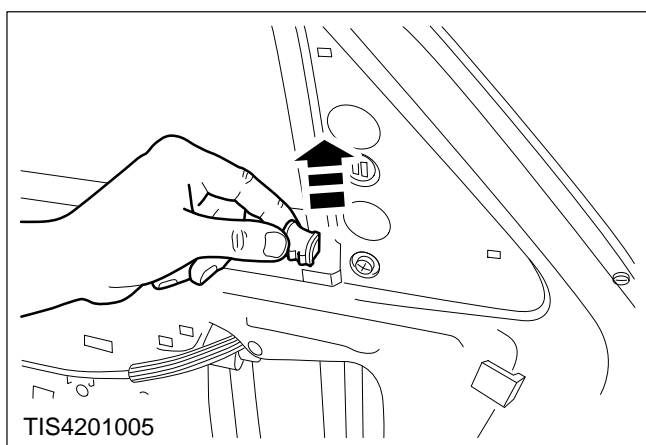
1. **Disconnect the battery negative lead.**
2. **Remove the door trim panel, (refer to Operation Number 43 706 0).**



**⚠ CAUTION:** Do not touch the adhesive surface as re-bonding will be impaired.

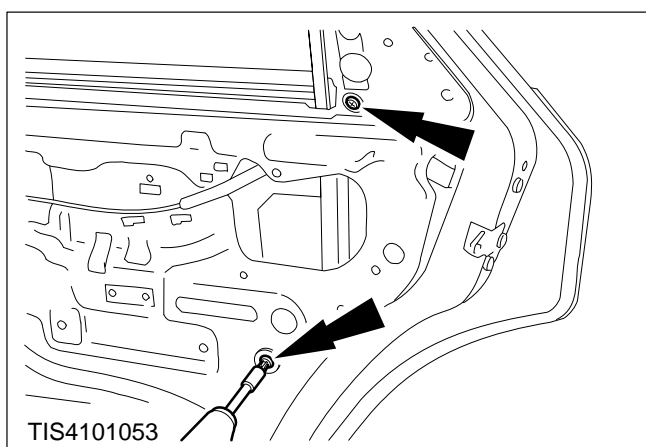
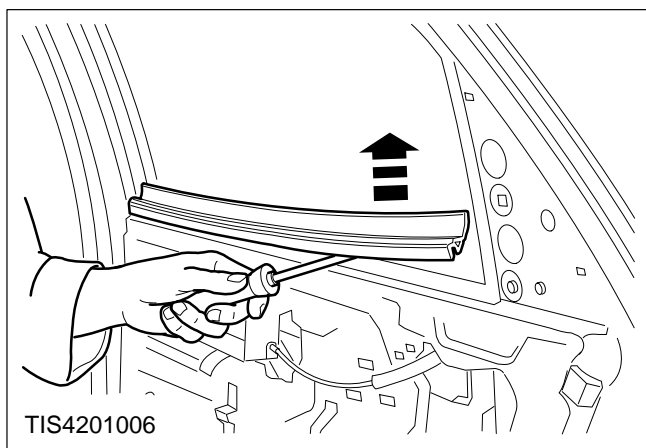
3. **Locally peel back the door insulation material.**

Using a plastic knife, (disposable cutlery) cut through the Butyl strip to enable the foam insulator to be peeled back for access. **DO NOT** attempt to peel the insulation from the door without cutting the butyl.

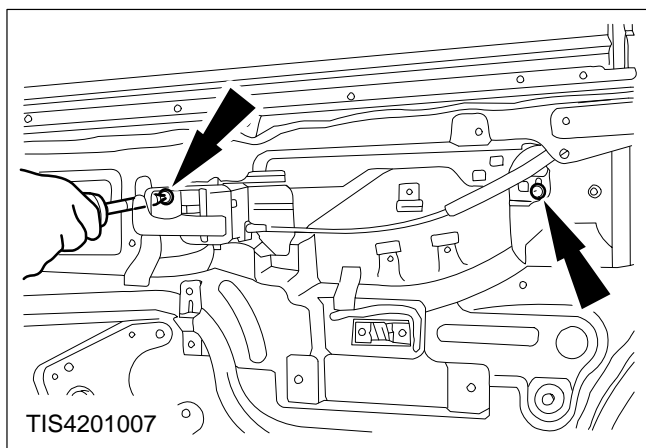


4. **Remove the inner window weatherstrip.**

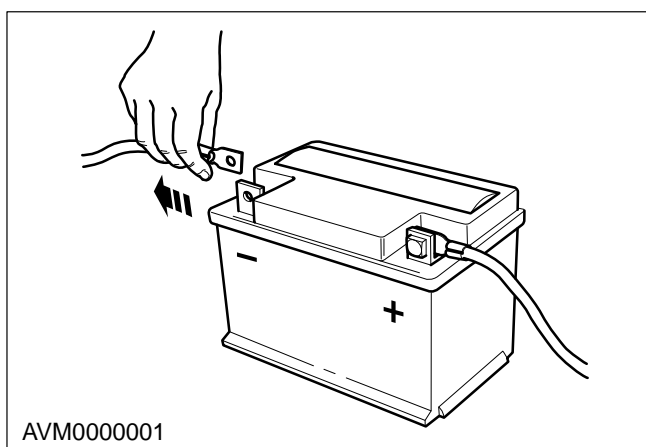
Lift out the two end filler blocks and prise the weatherstrip from the door.



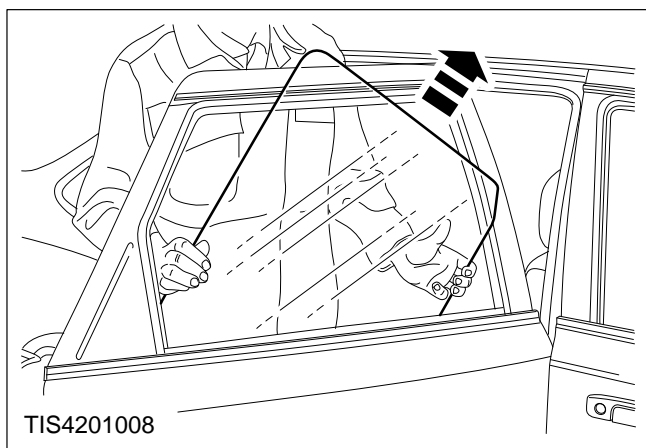
5. Remove the lower rear glass guide channel (two screws).



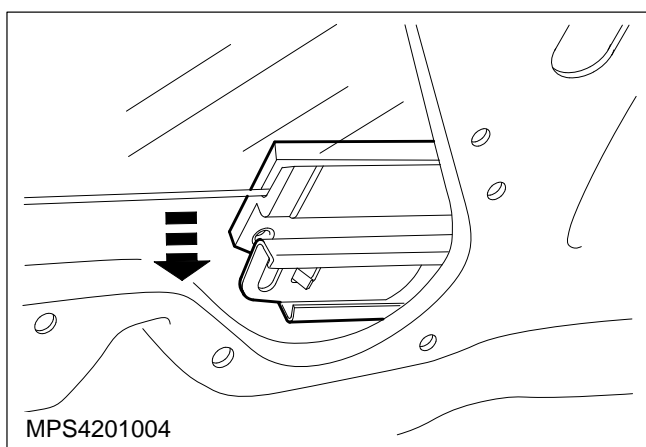
6. Remove the two glass fixing screws.
7. Reconnect the battery negative lead.
8. Supporting the window in the closed position, lower the window regulator.



9. Disconnect the battery negative lead.

**10. Remove the window glass.**

Lower the window into the door, tilt down at the rear and lift out from the frame.

**Install**

**⚠ CAUTION:** Ensure the window bracket is correctly seated onto the regulator before fully tightening the fixing screws.

**11. Refit the components in reverse order.**