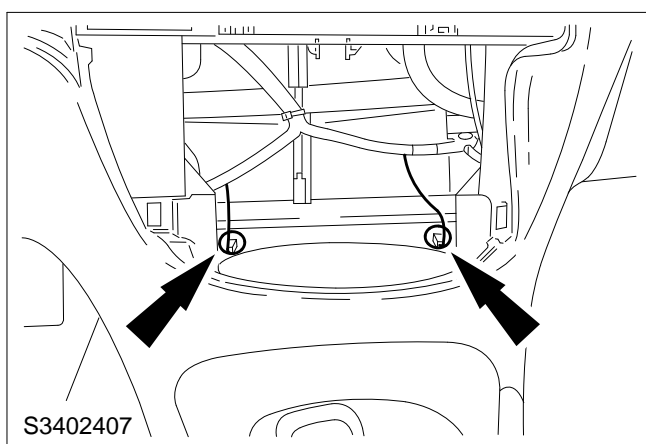
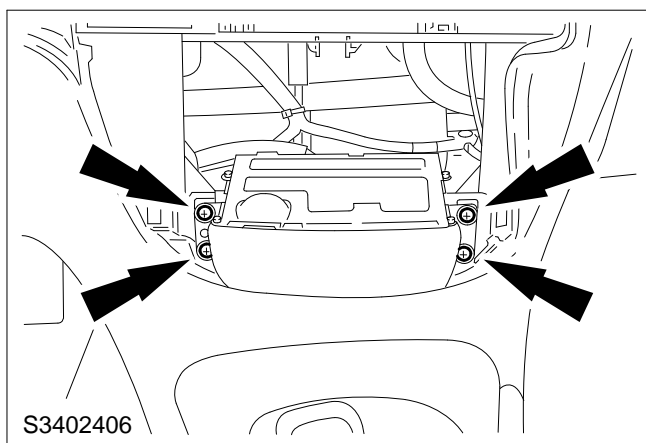


**Sensor – Interior Temperature – Footwell – Remove and Install (34 671 0)****Remove****1. Standard preparatory measures:**

- Make a note of the radio keycode.
- Make a note of the preset radio stations.
- Put protective covers on the fenders.

**⚠ CAUTION:** Disconnect the battery negative lead.

**2. Remove the air conditioning module as described in Op. no. 34 680 0.****3. Remove the ash tray.****4. Pull out the interior temperature sensor from the foot well (driver's or passenger's side) (push fit).****5. Disconnect the multiplug.**

## Install

**6. Refit the components in the reverse order.**

**7. Standard finishing operations:**

- Connect the battery negative lead.
- Remove the protective covers.
- Enter the radio keycode.
- Reprogramme the preset radio stations.
- Reset the clock.
- Road test the vehicle to collect data for the PCM.