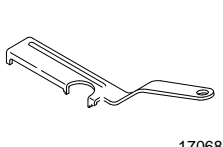


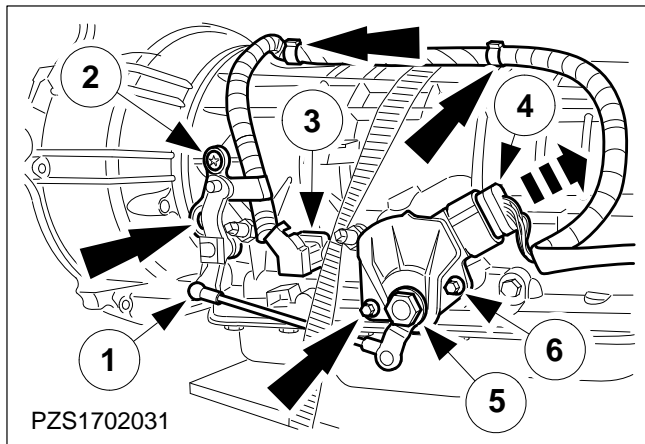
Automatic Transmission – Renew (17 214 5)

Special Tools

	<p>17-068 Adjustment gauge, TR sensor</p>
---	--

Workshop Equipment

<p>Assembly table and strap</p>	<p>GV2166</p>
-------------------------------------	---------------

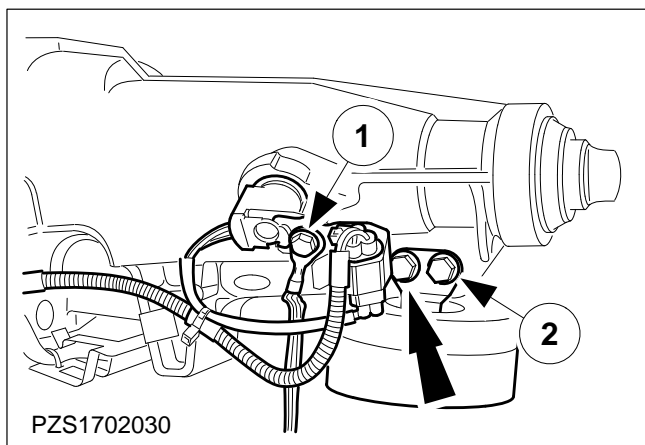


Remove

1. Remove the automatic transmission external components.

- 1 Unclip the rod from the actuating lever and selector lever.
- 2 Remove the bracket and actuating lever.
- 3 Disconnect the transmission control unit multiplug.
- 4 Detach the TR sensor multiplug.
- 5 Remove the selector lever.
- 6 Detach the TR sensor.

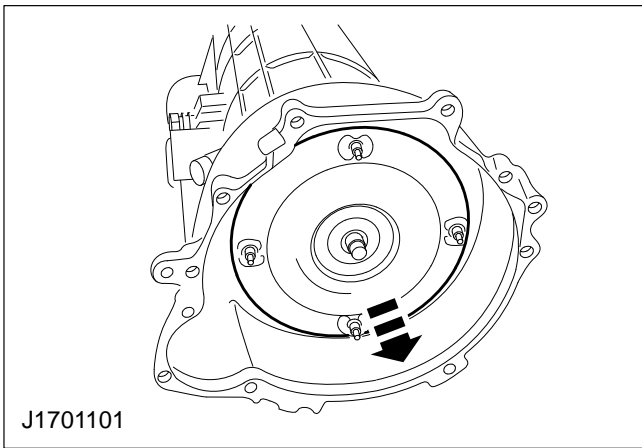
Unclip the automatic transmission wiring loom.



2. Remove the automatic transmission external components (cont).

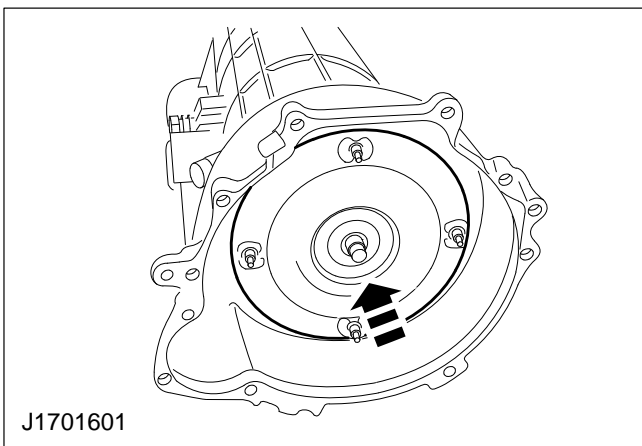
NOTE: Ground lead.

- 1 Vehicle speed (VSS) sensor.
- 2 Vibration damper



NOTE: Escaping oil.

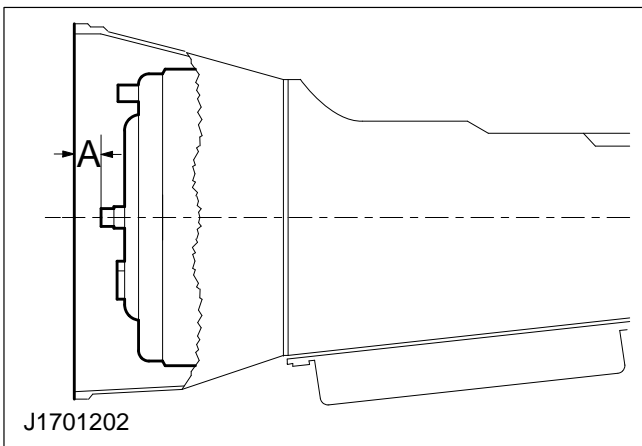
3. Remove the torque converter.



Install

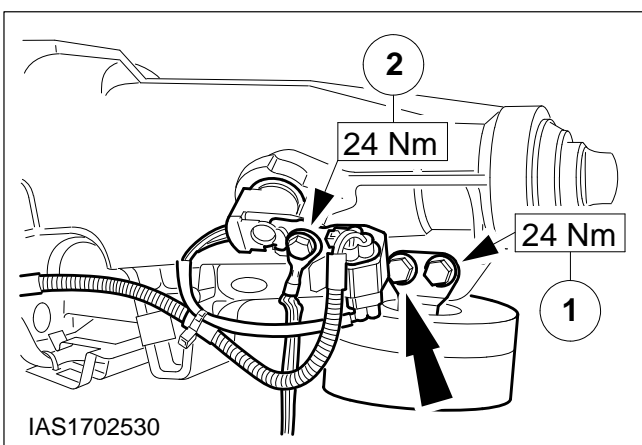
NOTE: The hub of the torque converter must engage fully with the drive gear of the oil pump.

4. Fit the torque converter.



5. Check the installation depth of the torque converter.

Installation depth "A" between the converter assembly flange and the torque converter bore is 9 mm.

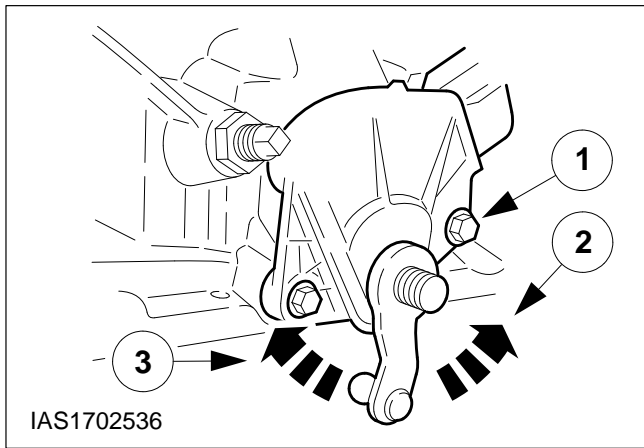


6. Fit the automatic transmission external components.

1 Fit the vibration damper.

NOTE: Ground lead.

2 Fit the VSS.

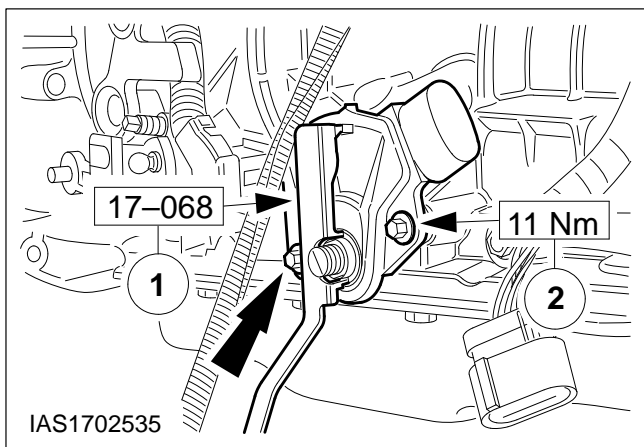


7. Fit the automatic transmission external components (cont).

NOTE: The guide of the TR sensor must engage with the groove of the selector shaft.

- 1 Fit the TR sensor and tighten the bolts finger tight.
- 2 Fit the selector lever and turn the selector shaft anti-clockwise until it reaches the stop.
- 3 Turn the selector shaft clockwise three degrees (to zero).

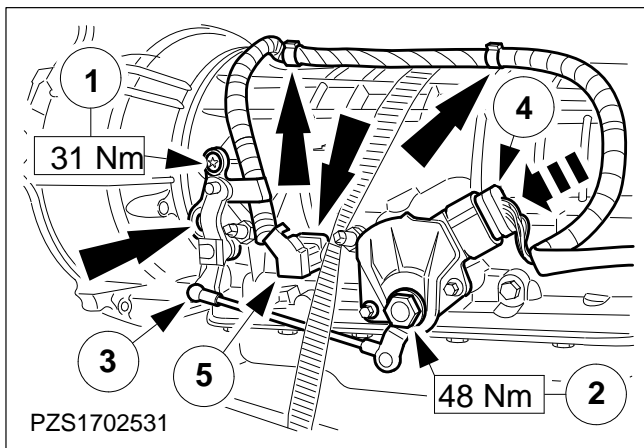
Remove the selector lever.



8. Fit the TR sensor and adjust it.

NOTE: The position of the grooves in the selector shaft does not affect this adjustment.

- 1 Fit the special tool and turn the TR sensor until the special tool rests in the grooves of the TR sensor.
- 2 Tighten the TR sensor bolts.



9. Fit the automatic transmission external components (cont).

- 1 Fit the bracket and the actuating lever.
 - 2 Fit the selector lever.
 - 3 Clip the rod onto the actuating lever and the selector lever.
 - 4 Connect the TR sensor plug.
 - 5 Connect the multiplug to the transmission control unit.
- Fit the safety clip.
 - Attach the automatic transmission wiring loom.