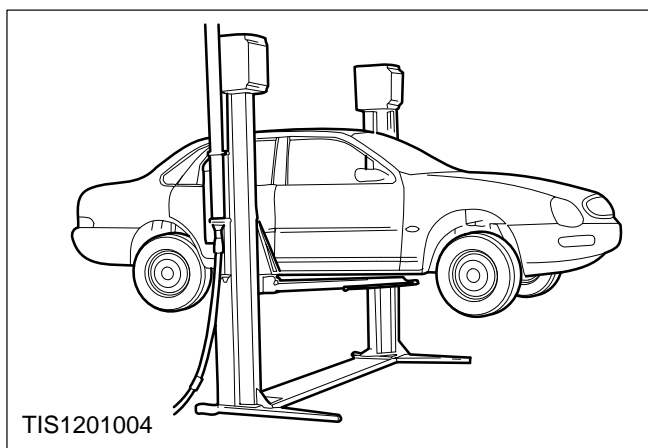
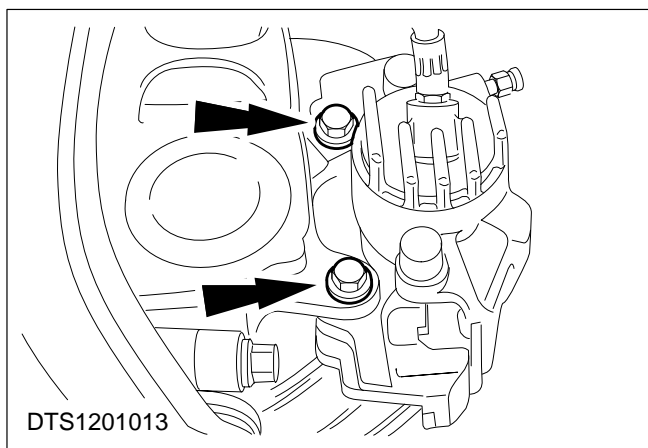


Disc – Front Brake – Remove and Install (One side) (12 223 0)**Remove**

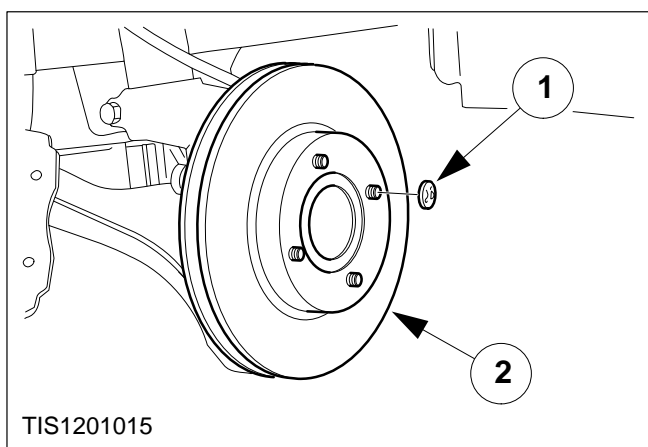
- 1. Slacken the wheel nuts, raise the vehicle and remove the front road wheel.**



- 2. Remove the brake caliper assembly.**

Suspend the caliper to prevent damage to the flexible brake hose.

- 3. Mark the relative position of the hub and disc.**



- 4. Remove the brake disc.**

- 1 Remove the spring washer.
- 2 Remove the brake disc.

Install

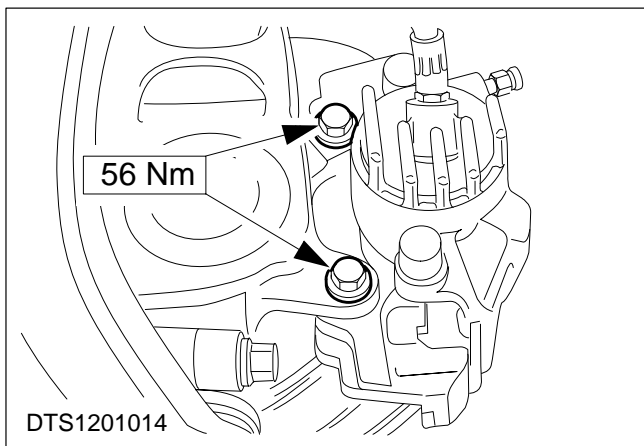
NOTE: If the original disc is to be refitted ensure that the match marks are aligned.

5. Refit the brake disc and secure with a new spring washer.



CAUTION: Turn the steering from lock to lock and check that the brake hose does not twist causing damage to the hose by chafing.

6. Refit the brake caliper assembly.



7. Refit the road wheels and lower the vehicle.

8. Apply the footbrake to adjust the brake pads.

