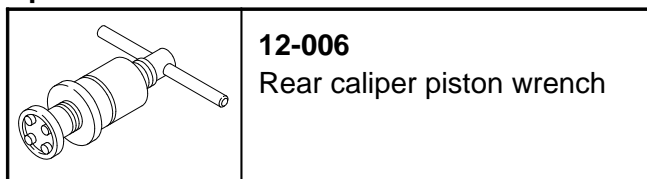




## Caliper Assembly – Rear – Remove and Install (One side) (12 253 0)


### Special Tools



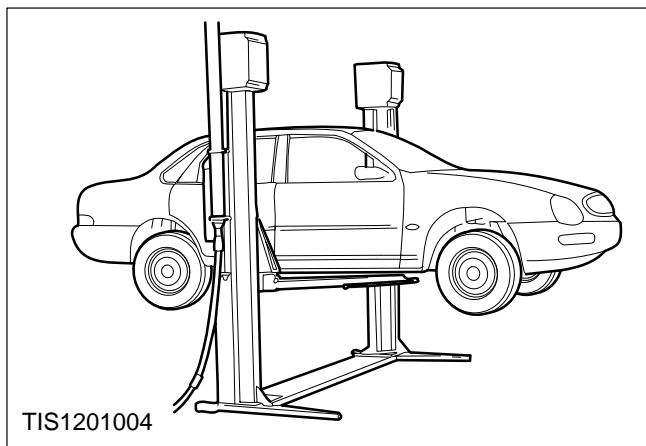
### Remove

 **WARNING:** Apply the foot brake at least 20 times to de-pressurise the system.

 **WARNING:** As rear brake system is subjected to high hydraulic pressure the foot brake must not be applied when the caliper is removed.

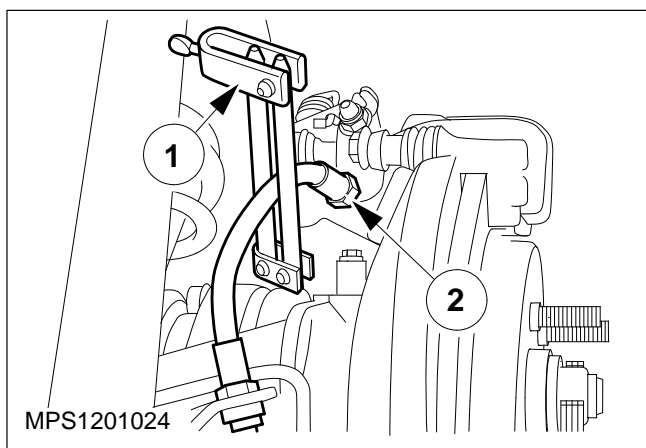
 **CAUTION:** If brake fluid is spilled on the paintwork, the affected area must be immediately washed down with cold water.

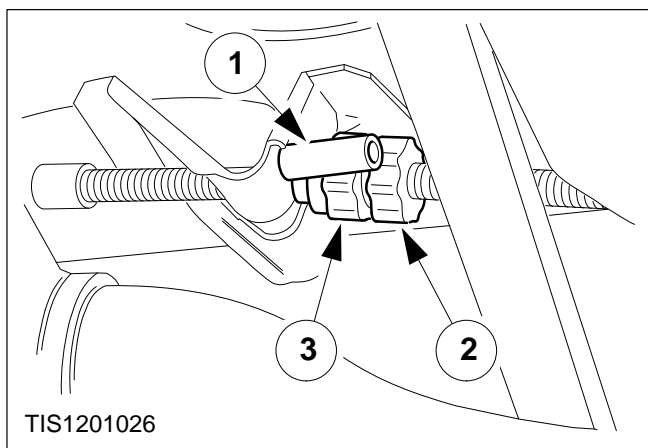
- 1. Slacken the wheel nuts, raise the vehicle and remove the rear road wheel.**



- 2. Slacken the brake hose connection.**

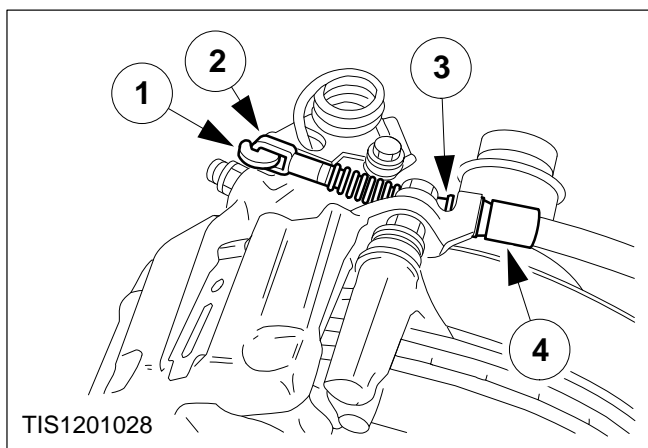
- 1 Clamp the brake hose.
- 2 Slacken the brake hose connection.





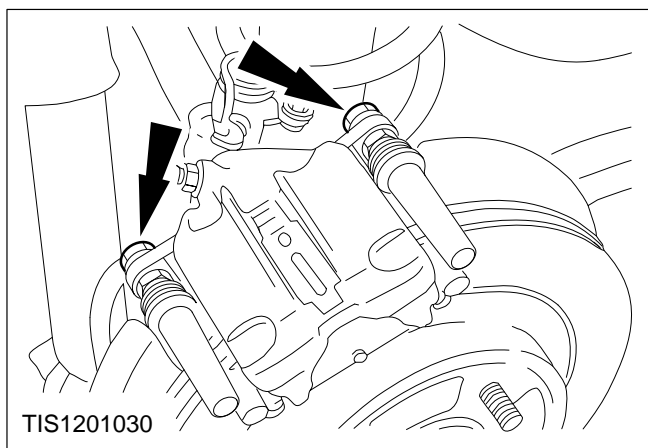
**3. De-adjust the handbrake cable.**

- 1 Remove the locking pin.
- 2 Slacken the adjuster locknut.
- 3 Slacken the adjuster until the levers on the calipers have returned to their stops.

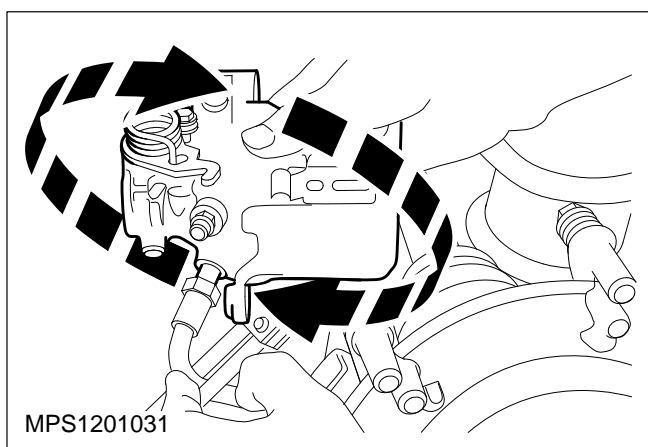


**4. Disconnect the handbrake cable from the caliper.**

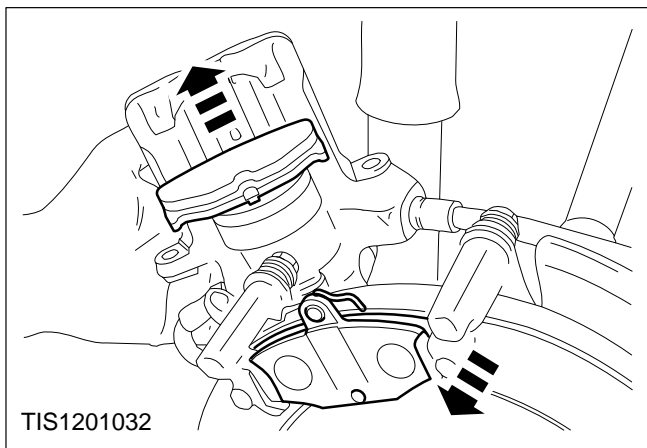
- 1 Pull back the caliper lever.
- 2 Unhook the handbrake cable from the caliper lever.
- 3 Remove the handbrake cable retaining clips.
- 4 Detach the handbrake cable from the caliper.



**5. Remove the caliper piston housing.**

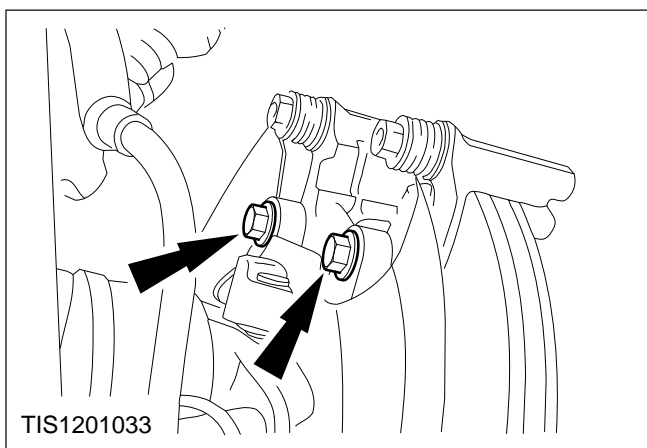


**6. Disconnect the brake hose from the piston housing by rotating the piston housing.**

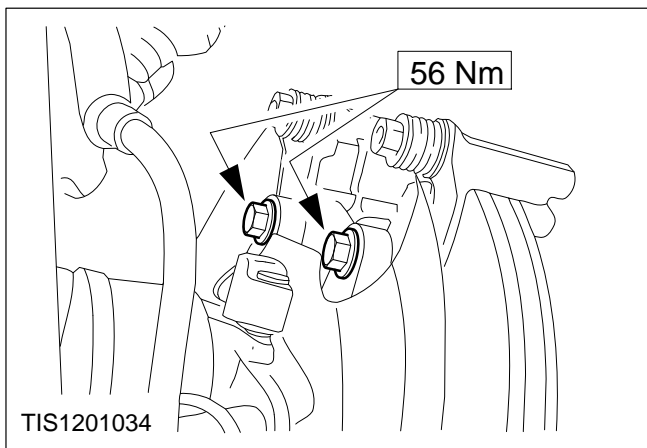


Disc Pads – Rear – Replace (one side)  
(wheel removed) (12 237 4)

**7. Remove the brake pads.**

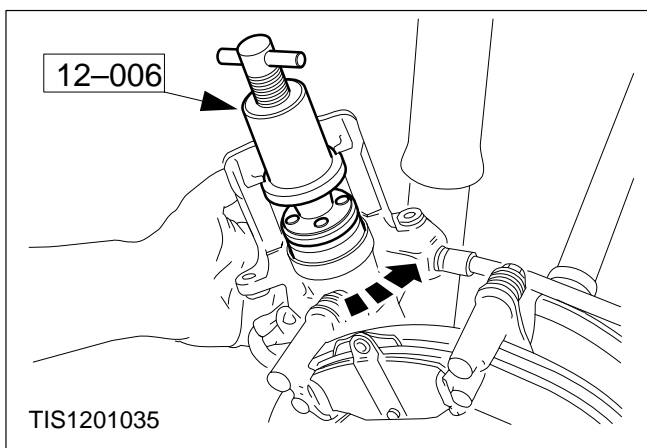


**8. Remove the anchor bracket.**



Install

**9. Refit the anchor bracket.**



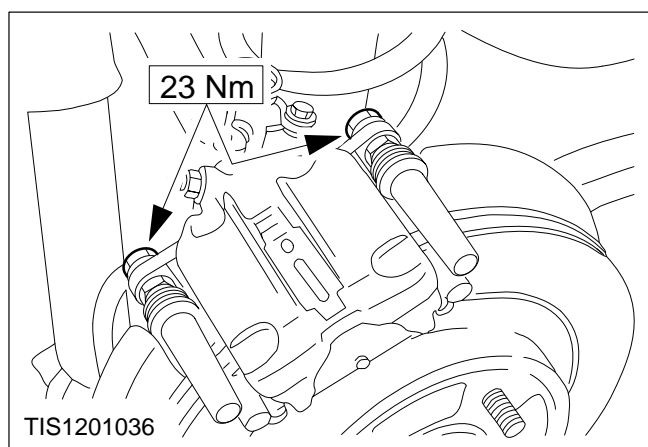
**10. When fitting new brake pads return the caliper piston to the fully retracted position.**

Disc Pads – Rear – Replace (one side)  
(wheel removed) (12 237 4)

**11. Refit the brake pads.**

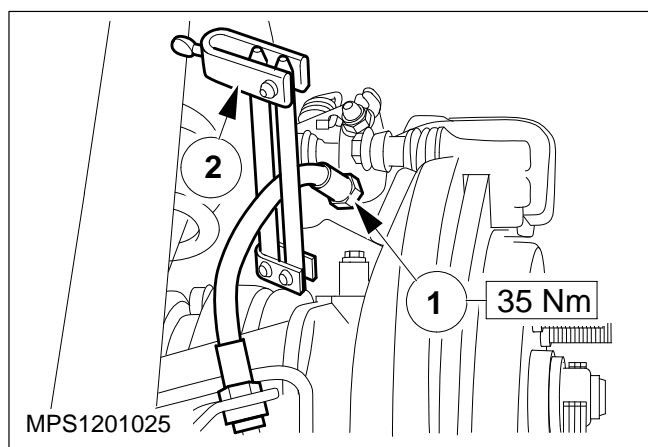
**12. Refit the brake hose to the caliper piston housing.**

Do not tighten brake hose at this stage.



**13. Refit the caliper piston housing.**

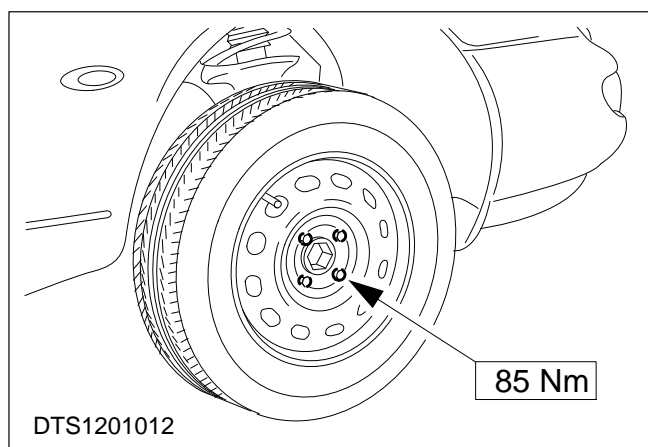
**14. Reconnect the handbrake cable to the caliper assembly.**



**15. Tighten the brake hose connection.**

- 1 Tighten the brake hose connection.
- 2 Unclamp the brake hose.

**16. Adjust the handbrake as described in Operation No. 12 662 0.**



**17. Refit the road wheel and lower the vehicle.**

**18. Bleed the braking system as described in Operation No. 12 141 0.**