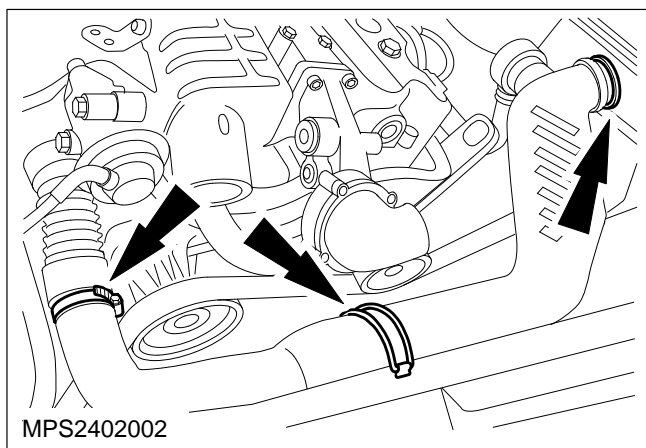
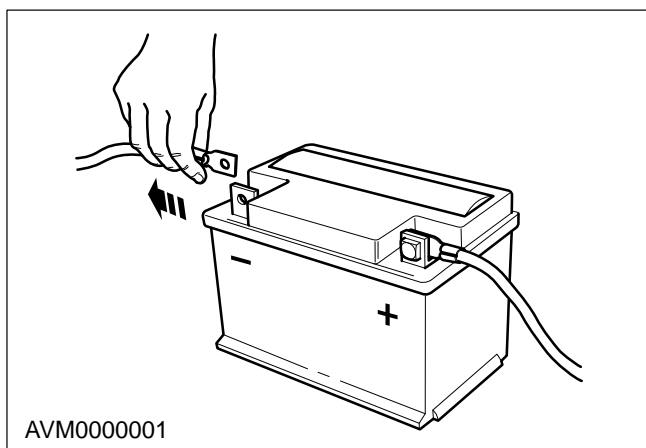


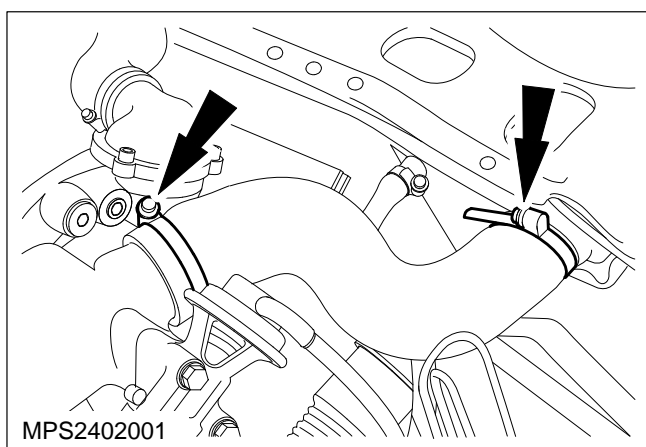
Water Pump Assembly – Remove and Install (24 404 0)

Remove

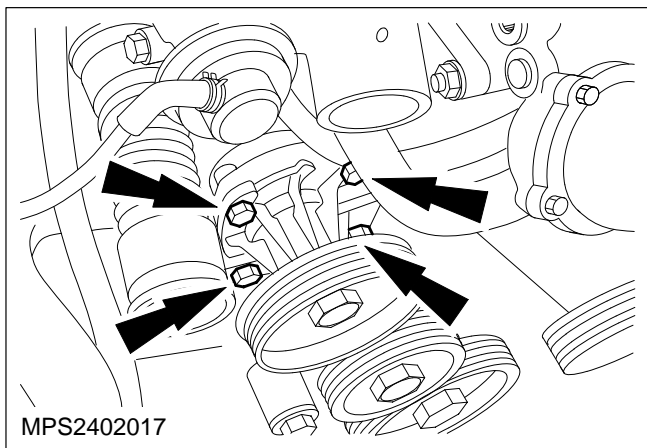
1. Drain the cooling system (refer to Operation Number 24 122 0).
2. Disconnect the battery negative lead.



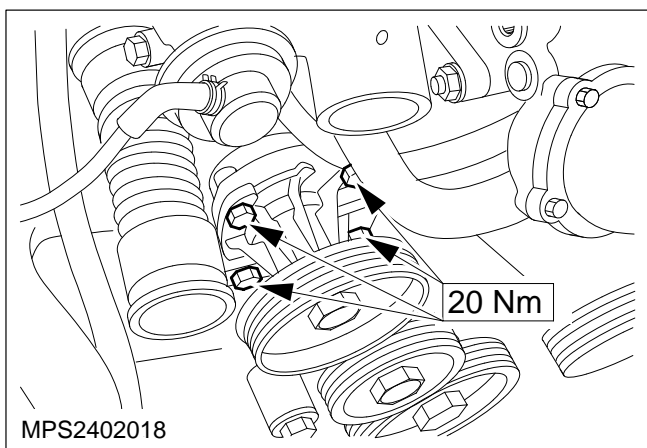
3. Remove the air induction pipe.
4. Remove the drive belt (refer to Operation Number 31 413 0).



5. Remove the intercooler top hose.



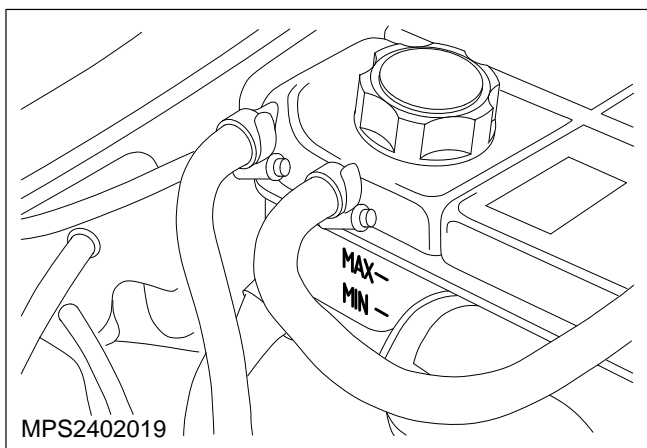
6. Remove the water pump.



Install

7. Refit the components in reverse order.

Ensure the seal is correctly located.



8. Refill the cooling system and check for leaks (refer to Operation Number 24 122 0).