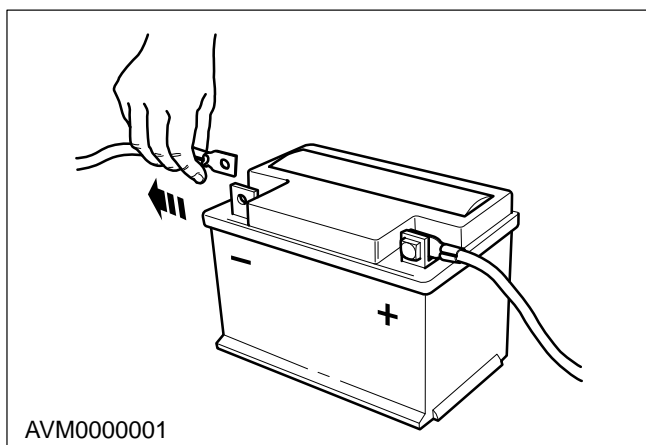


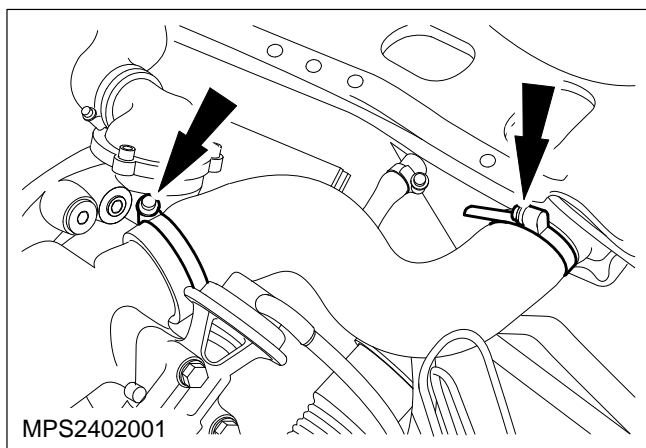
Radiator – Remove and Install (24 254 0)

Remove

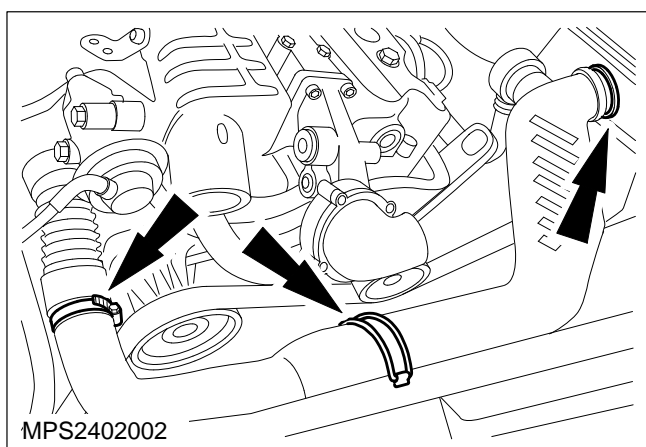
1. Drain the cooling system (refer to Operation Number 24 122 0).
2. Disconnect the battery negative lead.

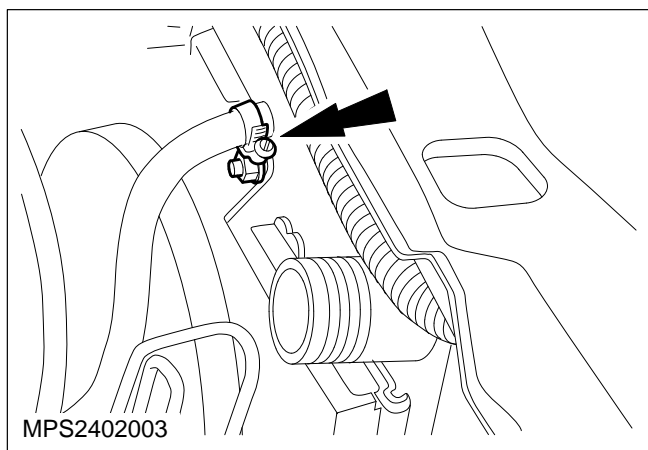


3. Remove the intercooler top hose.

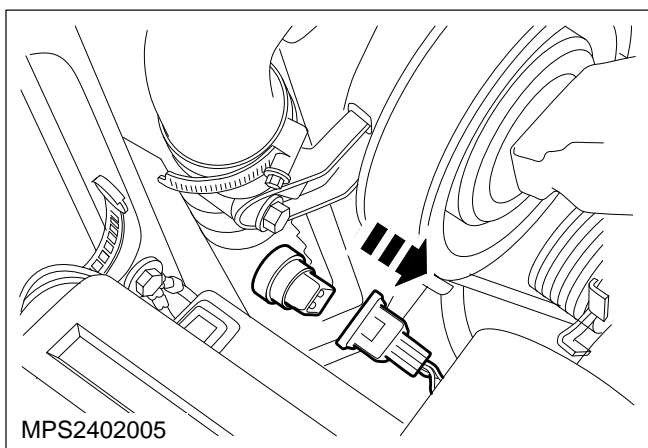


4. Remove the air induction pipe.

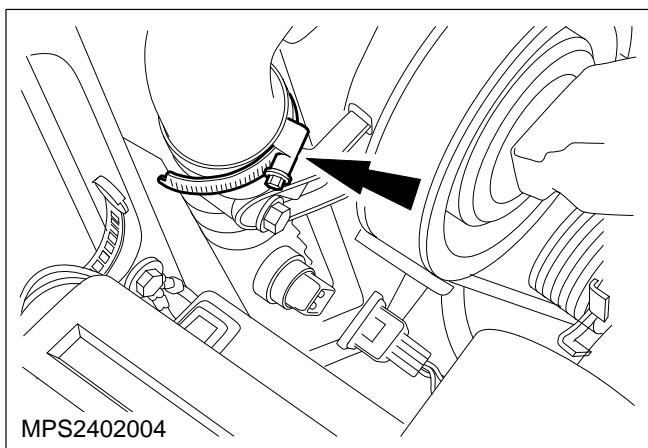




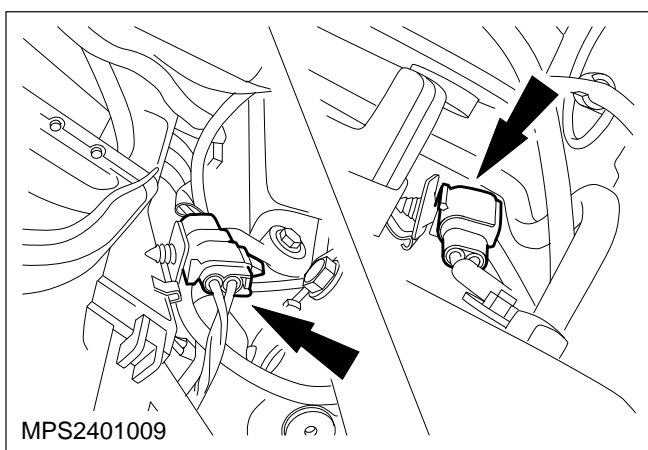
5. Disconnect the expansion tank hose.



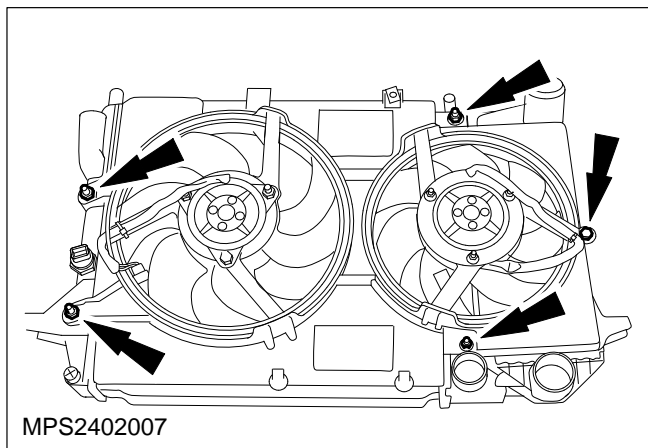
6. Disconnect the fan temperature sensor.



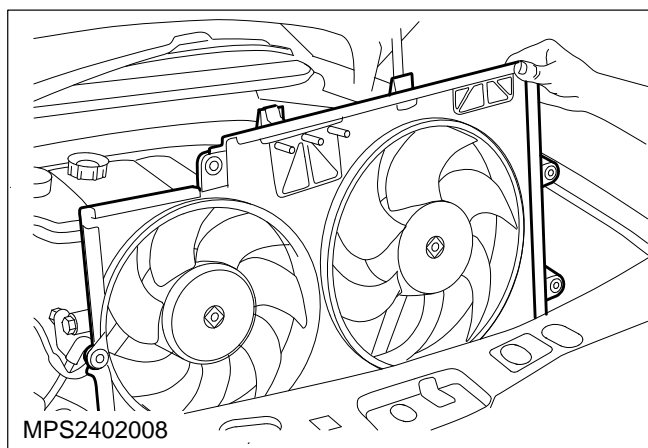
7. Remove the radiator top hose.



8. Disconnect the fan multiplugs.



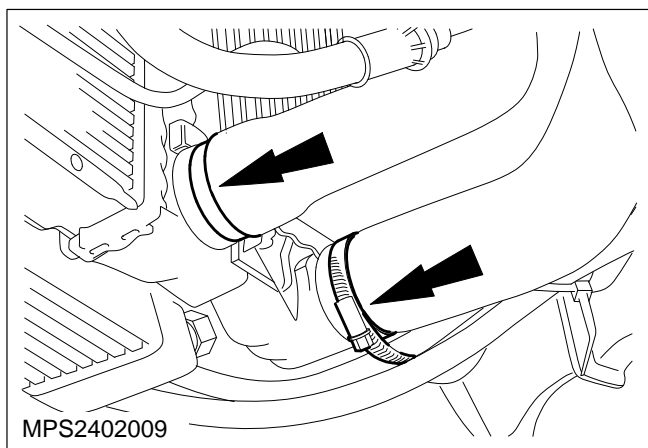
9. Detach the fan shroud (radiator removed for clarity).



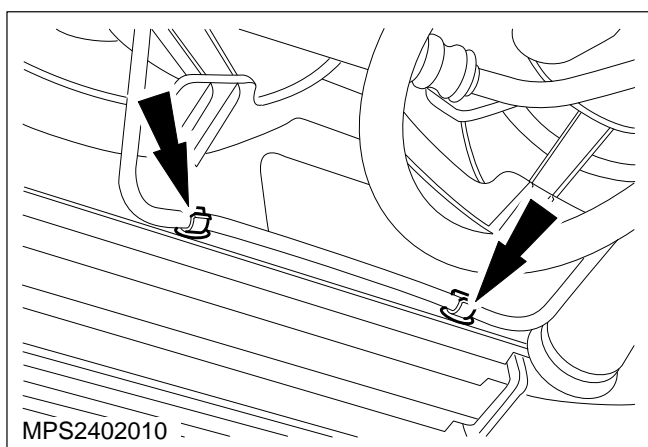
⚠ CAUTION: Ensure the radiator is not damaged whilst removing this assembly.

10. Remove the fan and shroud assembly.

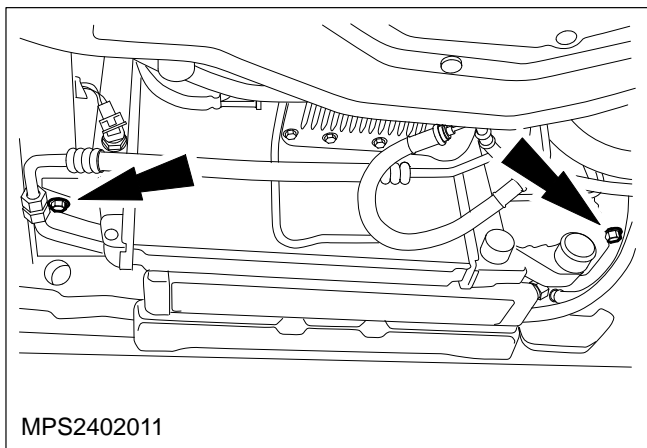
11. Raise the vehicle.



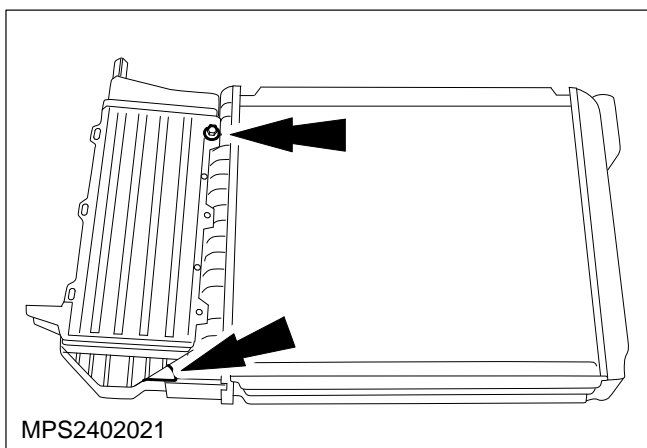
12. Disconnect the radiator and intercooler bottom hoses.



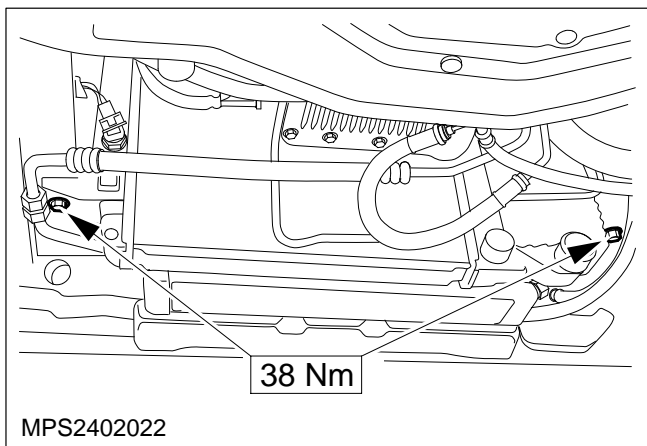
13. Detach the pipe from the radiator.



14. Remove the radiator.

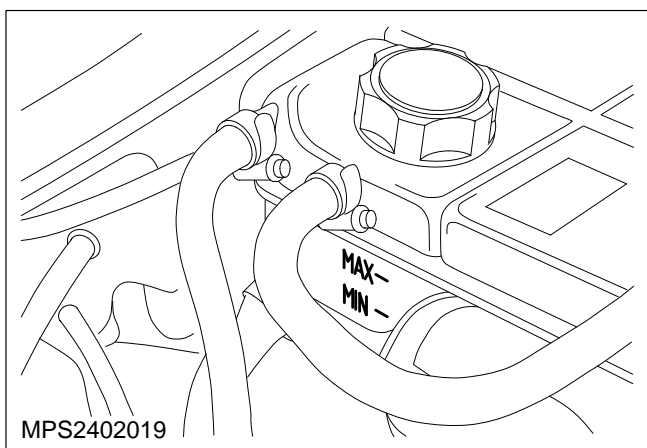


15. Detach the intercooler from the radiator.



Install

16. Refit the components in reverse order.



17. Refill the cooling system and check for leaks (refer to Operation Number 24 122 0).