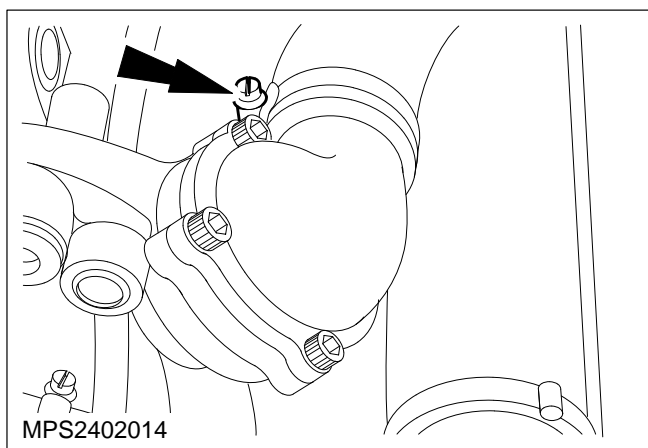


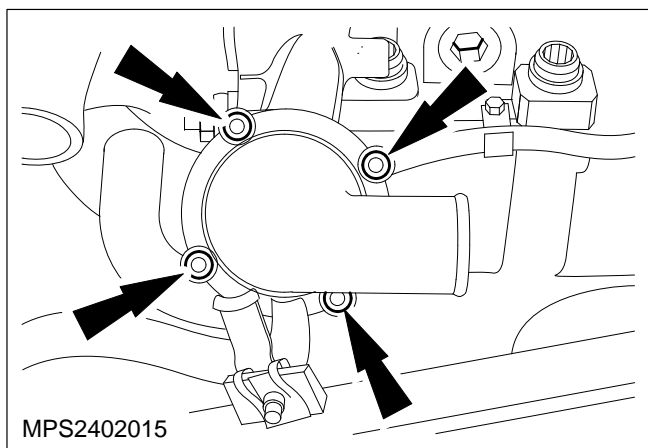
## Thermostat – Remove and Install (24 454 0)

### Remove

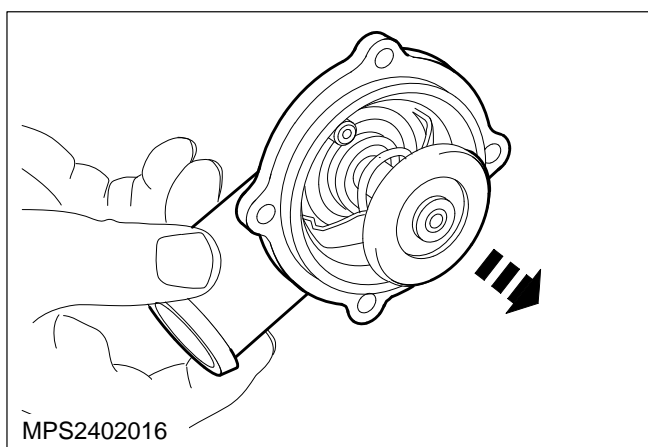
1. Drain the cooling system (refer to Operation Number 24 122 0).
2. Disconnect the hose from the thermostat housing.



3. Remove the thermostat housing.



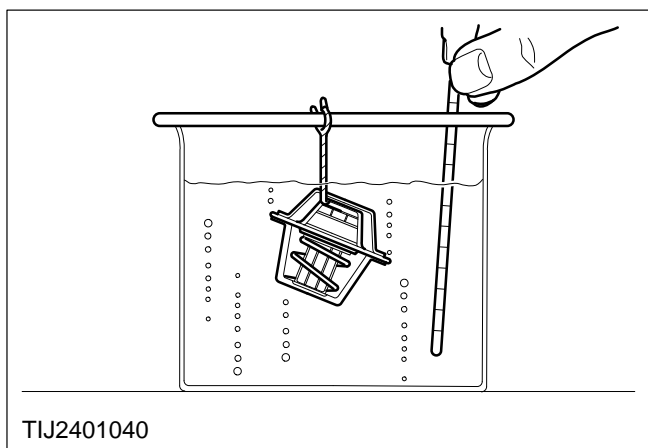
4. Remove the thermostat.



**Thermostat – Test (Thermostat Removed) (24 451 1)**

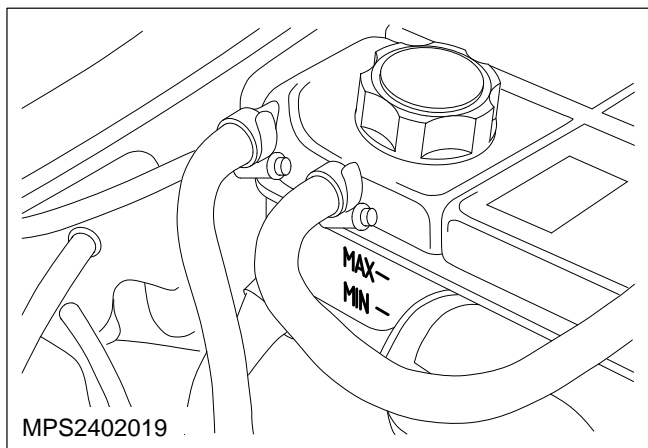
**5. Suspend the thermostat in water in a suitable container.**

Ensure the thermostat does not touch the sides of the container.



**6. Gradually heat the water frequently checking the temperature with an accurate thermometer.**

If the thermostat function is incorrect fit a new thermostat.



**Install**

**7. Refit the components in reverse order.**

Ensure the seal is fitted correctly.

**8. Refill the cooling system and check for leaks (refer to Operation Number 24 122 0).**