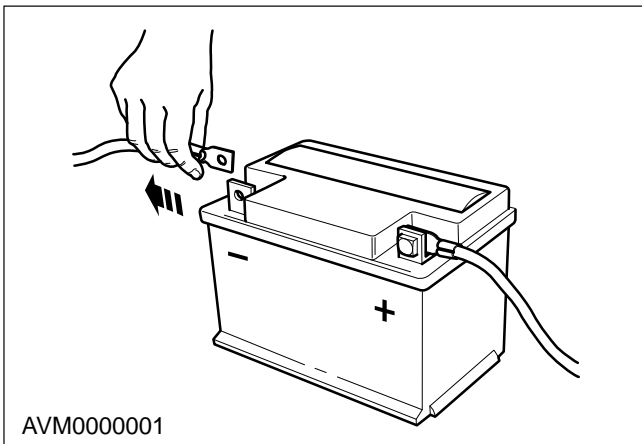
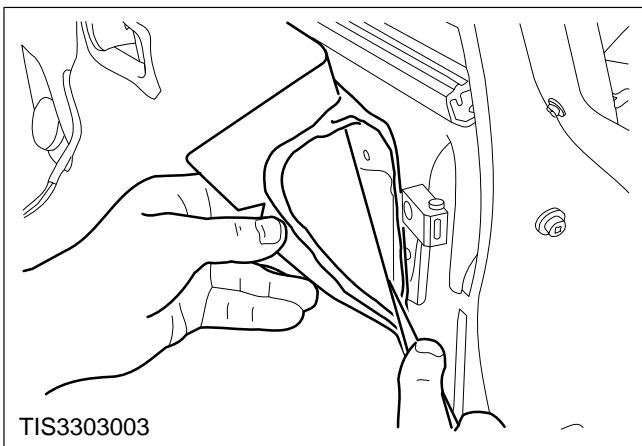


Switch – Door Lock – Key Activated – Alarm System – Remove and Install (33 506 0)



Remove

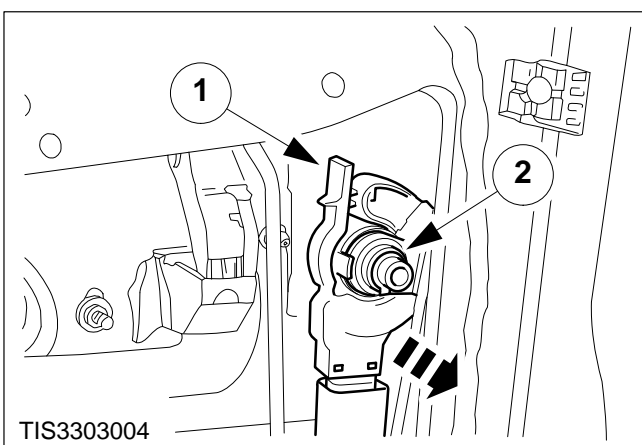
1. Disconnect the battery negative lead.
2. Remove the front door trim panel (refer to Operation Number 43 705 0).



⚠ CAUTION: When detaching the foam watershield avoid touching the adhesive surface as rebonding will be impaired.

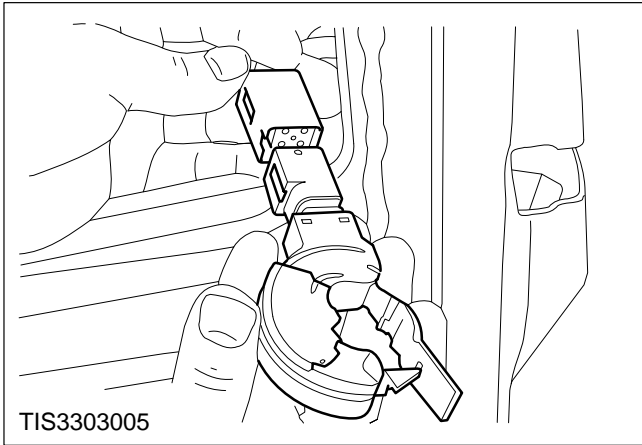
3. **Locally detach and fold back the foam watershield.**

Using a plastic knife (disposable cutlery), cut through the butyl strip to enable the foam watershield to be folded back for access. Do not attempt to pull the foam watershield from the door without cutting the butyl strip.



4. **Remove the door lock switch.**

- 1 Release the retaining clip on the top of the switch.
- 2 Pull the switch off the barrel.



5. Disconnect the multiplug.

Install

NOTE: In the event of a foam watershield being unfit for further use, it must be renewed.

- 6. Refit the components in reverse order ensuring that the switch locating lug is correctly engaged in the lock barrel.**