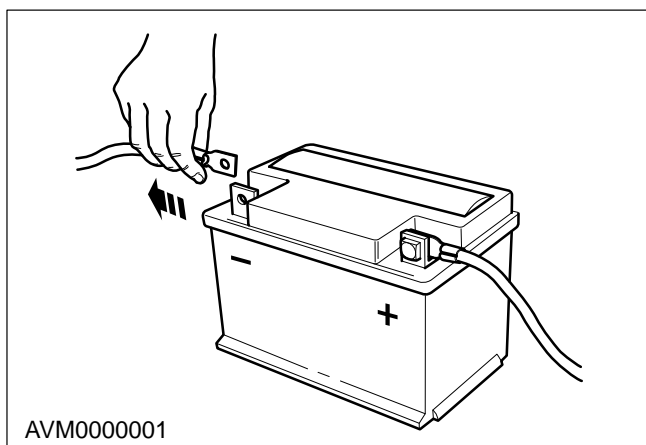
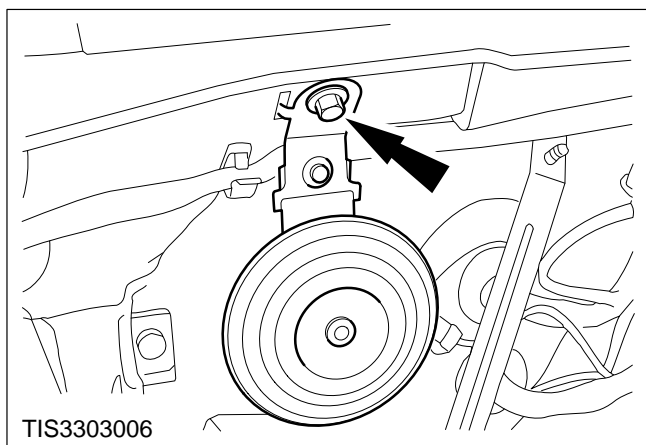
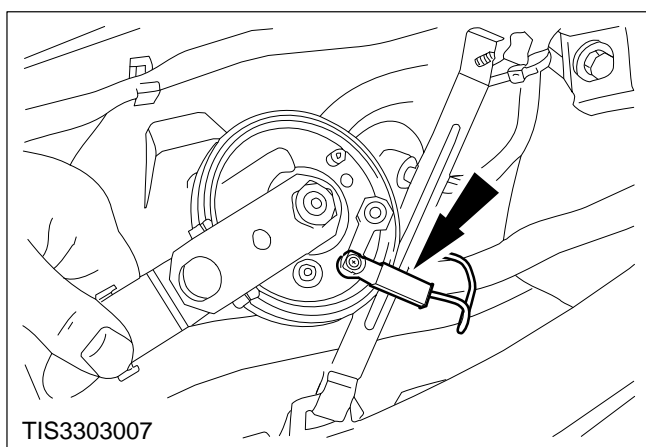


**Horn – Alarm System – Remove and Install (33 774 0)****Remove**

1. **Disconnect the battery negative lead.**
2. **Remove the battery (refer to Operation Number 31 214 0).**



3. **Remove the alarm horn.**



4. **Disconnect the single connector.**

Install

- 5. Refit the components in reverse order.**