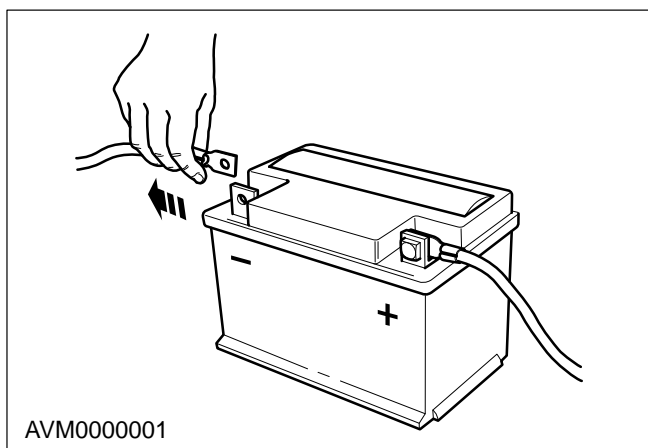
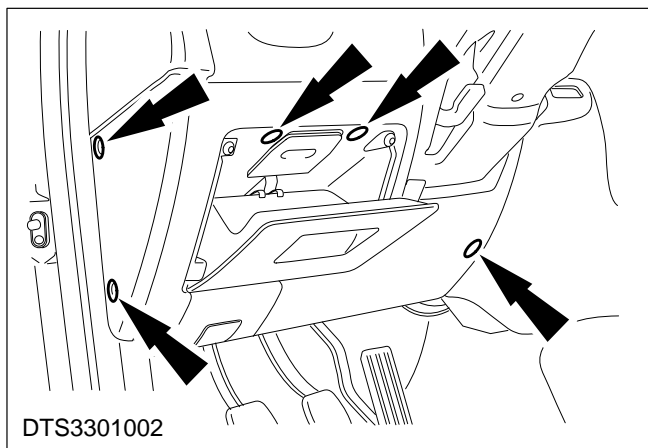


Module – Central Timer – Remove and Install (33 646 0)

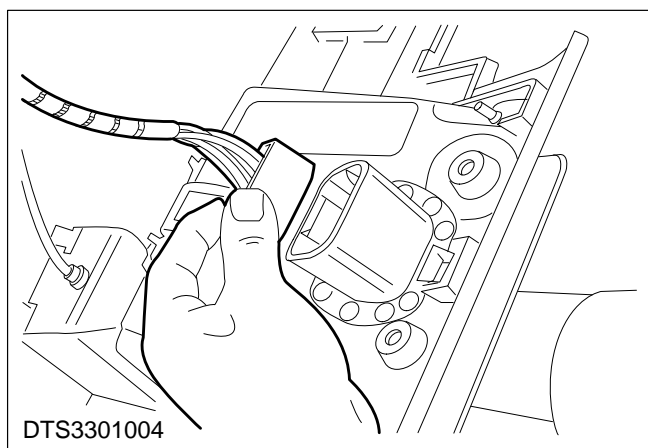


Remove

1. Disconnect the battery negative lead.

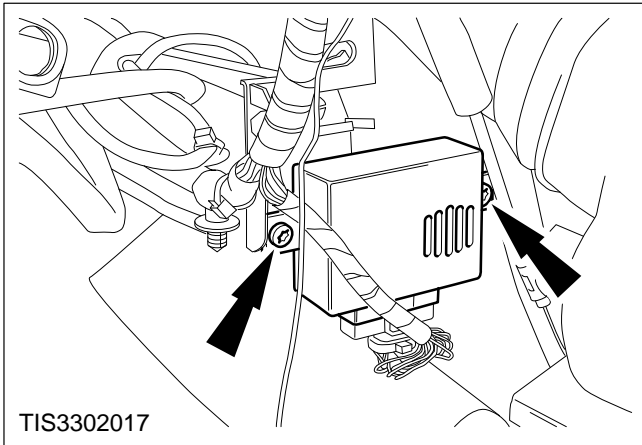


2. Remove five screws from the driver's side lower crash pad panel.

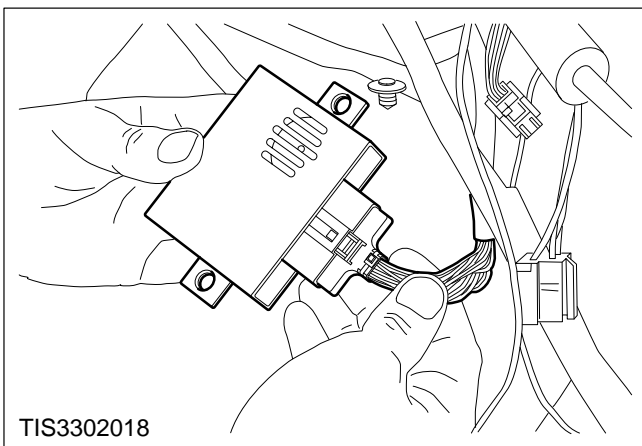


NOTE: There is no need to disconnect the hood release cable.

3. Detach the diagnostic connector and lower the crash pad to the floor.



4. Remove two retaining screws.



5. Disconnect the multiplug and remove the module.

Install

6. Refit the components in reverse order.